

AB105STR Alarm Sounder & Xenon Strobe

The AB105STR combines a compact high output 112dB(A) alarm sounder with a powerful 5J Xenon strobe warning beacon.

The beacon and sounder can be operated from the same power source or controlled individually.

The AB105STR Xenon beacon component features an automatically synchronised flash rate of 1Hz (60 flashes per minute) as standard. The DC voltage versions also have user selectable 1.5Hz (90 flashes per minute) and double-strike flash rates. The double strike flash rate can be remotely activated via a third wire (as can alternative alarm tones on the horn sounder) enabling a audible and visual communication of a two stage alarm condition.

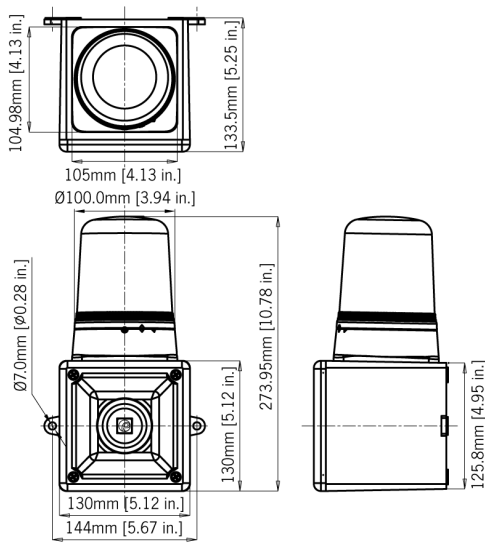
Features

- Automatic synchronisation on multi-sounder system.
- Continuously rated.
- Stainless steel fixings.
- Unit can be mounted using external lugs or internal BESA compatible fixing positions.
- Duplicate cable terminations (in & out for daisy-chain installations).
- Synchronised flash.
- Available with multi-frequency function.
- Tropicalisation available on request.
- Available with custom tone configurations and frequencies.
- Stage Programmable 4 stage/channel version available:
 - 45 alarm tones
 - 4 remotely selectable stages
 - Any tone can be assigned to any stage
 - User configurable continuous frequency tone

Approvals

- Alarm sounder (A105N): EN54-3 (CPD 89/106/EEC).





Specification

Sounder:

Maximum output:	112dB(A) 1m [103dB(A)10ft/3m]
Nominal output:	105dB(A) 1m +/-3dB Tone 2 {96dB(A)10ft/3m}
No. of tones:	32 (UK00A / PFEER compliant)
No. of stages:	Alarm horn:3, Xenon Beacon (DC only):2 Double strike pattern can be remotely switched
Volume control:	Max. 105dB(A); Min. 96dB(A) – Tone 2
Effective range:	60m/197ft @ 1KHz
Stage switching:	Negative (Reverse polarity switching on DC units)

Beacon:

Energy:	5 Joules (5Ws)
Flash rate:	1Hz (60 fpm) DC units: Optionally 1.5Hz & double strike
Synchronisation:	1Hz flash rate automatically synchronised
Peak Candela:	500,000 cd – calculated from energy (J)
Eff. Intensity cd:	250 cd – calculated from energy (J)
Peak Candela:	49,788 cd* – measured ref. to I.E.S.
Eff. Intensity cd:	125 cd* – measured ref. to I.E.S.
Tube life:	70% emissions after 8 million flashes

General:

Voltages DC:	24V dc (10-30V dc); 48V dc (35-60V dc) [DC units can use 24V ac for single stage applications.]
Voltages AC:	24V ac; 115V ac; 230V ac
Ingress protection:	IP65
Enclosure material:	High impact UL94 V0 & 5VA FR ABS
Lens material:	UV stable PC UL94 V0 FR Bayonet lens fixing , Anti-tamper locking screw.
Cable entries:	2 x M20 clearance gland entries in side & back
Terminals:	0.5 to 1.5mm ² cables.
Operating temp:	-25 to +55°C [-13° to +131°F]
Storage temp:	-40 to +70°C [-40° to +158°F]
Relative humidity:	90% at 20° [68°F]
Weight:	DC: 1.00kg/2.2lbs AC:1.25kg/2.75lbs

Candela measurements representative of performance with clear lens at optimum voltage.
SPL data +/-3dB(A). Measured at optimum voltage.

Part Codes

Version: Part code:

12V dc	AB105STRDC12[x]/[y]
24V dc	AB105STRDC24[x]/[y]
48V dc	AB105STRDC48[x]/[y]
24V ac	AB105STRAC24[x]/[y]
115V ac	AB105STRAC115[x]/[y]
230V ac	AB105STRAC230[x]/[y]

[x] = Enclosure colour:
G: Grey R: Red

[y] = Lens colour: A: Amber B: Blue C: Clear
G: Green R: Red Y: Yellow

Suffix part number with '-P' for stage programmable, 4 stage, 45 tone version.

Alarm Sounder

Version:	Voltage:	Current:
12V dc	10-14V dc	25mA*
24V dc	20-28V dc	25mA*
48V dc	42-54V dc	50mA*
115V ac	50/60Hz +/-10%	20mA
230V ac	50/60Hz +/-10%	15mA
24V ac	50/60Hz +/-10%	40mA

* current at nominal voltage on Tone 2

Xenon Beacon

Version:	Voltage:	Current:
12V dc	10-14V dc	500mA
24V dc	20-28V dc	250mA
48V dc	42-54V dc	175mA
115V ac	50/60Hz +/-10%	70mA
230V ac	50/60Hz +/-10%	35mA
24V ac	50/60Hz +/-10%	300mA

Tone table

S 1	Description	S 2	S 3
T 1	340 Hz Continuous	T 2	T 5
T 2	800/1000Hz @ 0.25 sec Alternating	T 17	T 5
T 3	500/1200Hz @ 0.3Hz 0.5 sec Slow Whoop	T 2	T 5
T 4	800/1000Hz @ 1Hz Sweeping	T 6	T 5
T 5	2400Hz Continuous	T 3	T 20
T 6	2400/2900Hz @ 7Hz Sweeping	T 7	T 5
T 7	2400/2900Hz @ 1Hz Sweeping	T 10	T 5
T 8	500/1200/500Hz @ 0.3Hz Sweeping	T 2	T 5
T 9	1200/500Hz @ 1Hz - DIN / PFEER P.T.A.P.	T 15	T 2
T 10	2400/2900Hz @ 2Hz Alternating	T 7	T 5
T 11	1000Hz @ 1Hz Intermittent	T 2	T 5
T 12	800/1000Hz @ 0.875Hz Alternating	T 4	T 5
T 13	2400Hz @ 1Hz Intermittent	T 15	T 5
T 14	800Hz 0.25sec on, 1 sec off Intermittent	T 4	T 5
T 15	800Hz Continuous	T 2	T 5
T 16	660Hz 150mS on, 150mS off Intermittent	T 18	T 5
T 17	544Hz (100mS)/440Hz (400mS) - NF S 32-001	T 2	T 27
T 18	660Hz 1.8sec on, 1.8sec off Intermittent	T 2	T 5
T 19	1.4KHz-1.6KHz 1s, 1.6KHz-1.4KHz 0.5s -NFC48-265	T 2	T 5
T 20	660Hz Continuous	T 2	T 5
T 21	554Hz/440Hz @ 1Hz Alternating	T 2	T 5
T 22	544Hz @ 0.875 sec. Intermittent	T 2	T 5
T 23	800Hz @ 2Hz Intermittent	T 6	T 5
T 24	800/1000Hz @ 50Hz Sweeping	T 29	T 5
T 25	2400/2900Hz @ 50Hz Sweeping	T 29	T 5
T 26	Bell	T 2	T 15
T 27	554Hz Continuous	T 26	T 5
T 28	440Hz Continuous	T 2	T 5
T 29	800/1000Hz @ 7Hz Sweeping	T 7	T 5
T 30	300Hz Continuous	T 2	T 5
T 31	660/1200Hz @ 1Hz Sweeping	T 26	T 5
T 32	Two T chime.	T 26	T 15