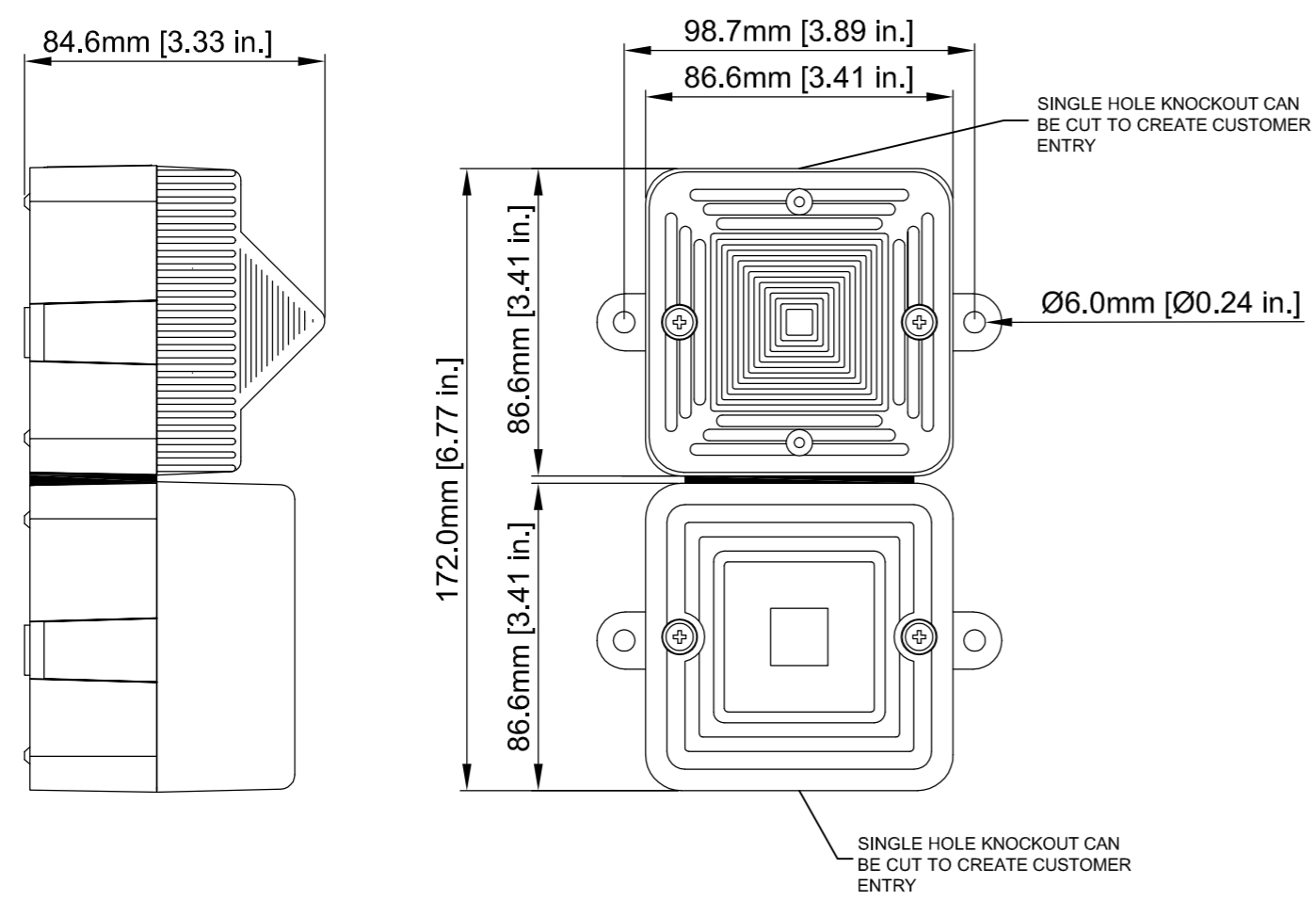
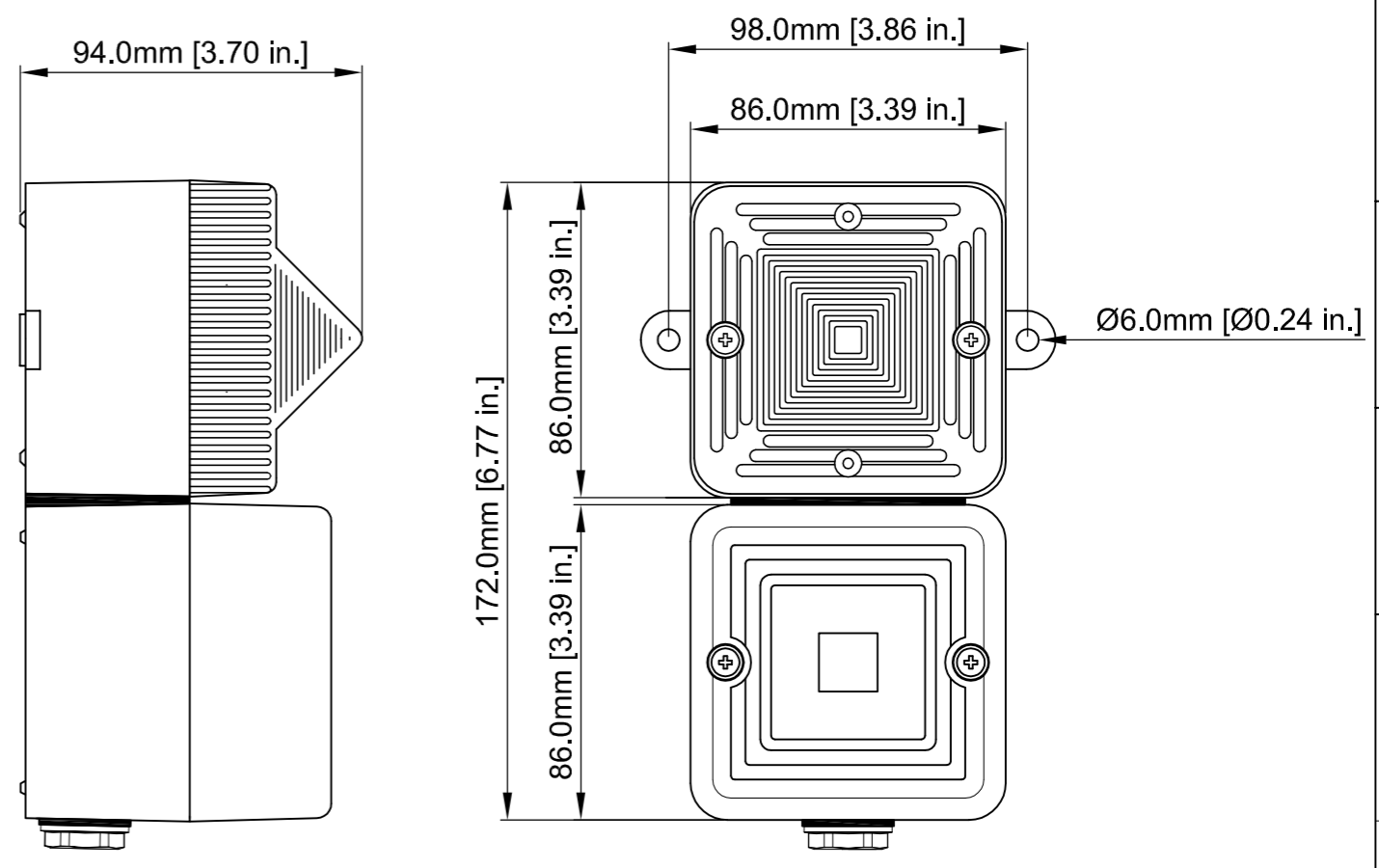


ISSUE	MOD No.	INITIAL/DATE
A		INTRODUCTION OF PART GU 28-09-09
B		UPDATED TO DUAL DIMS RSR 02-07-13
C		CABLE ENTRIES AMENDED RSR 02-12-15

NON-UL VERSIONS



UL VERSION ONLY



E2S PART NO.	DESCRIPTION	DATA REFERENCE
AL100H...	AL100H ALARM SOUNDER & LED BEACON	2.31.100
AL100SONTEFLASH...	AL100SONTEFLASH TELEPHONE INITIATED ALARM SOUNDER& L.E.D BEACON	2.31.110
AL100X...	AL100X ALARM SOUNDER & XENON BEACON	2.31.090

E2S PART NO.	DESCRIPTION	DATA REFERENCE
AL100H...-UL	AL100H ALARM SOUNDER & LED BEACON	2.31.100
AL100X...-UL	AL100X ALARM SOUNDER & XENON BEACON	2.31.090

DRAWING TO BS8888:2000 GEOMETRIC TOLERANCES TO ISO1101:1983 LINEAR DIMENSIONAL TOLS ANGULAR DIMENSIONAL TOLS	DRAWN R.S. RAIT	DATE 02-12-15	SURFACE FINISH	WEIGHT (kg)	THIS DRAWING AND ANY INFORMATION OR DESCRIPTIVE MATTER THEREIN IS COMMUNICATED IN CONFIDENCE AND IS THE COPYRIGHT PROPERTY OF EUROPEAN SAFETY SYSTEMS LTD. NEITHER THE WHOLE OR ANY EXTRACT MAY BE DISCLOSED, LOANED, COPIED OR USED FOR MANUFACTURING OR TENDERING PURPOSES WITHOUT THEIR WRITTEN CONSENT.	 EUROPEAN SAFETY SYSTEMS LTD IMPRESS HOUSE MANSELL ROAD ACTON LONDON W3 7QH WWW.E2S.COM	ALL DIMENSIONS IN MM IF IN DOUBT, ASK - DO NOT SCALE	 A1	
	CHECKED R.N. POTTS	DATE 02-12-15	MATERIAL						
	APPROVED R.N. POTTS	DATE 02-12-15	ALTERNATIVE MATERIAL						
STANDARDS					EUROPEAN SAFETY SYSTEMS LTD AS PER LATEST DATE OF ISSUE SHOWN ABOVE	TITLE AL100 SOUNDER/BEACON RANGE - OUTLINE	SCALE 1:1	SHEET 1 OF 1	DRAWING NUMBER SK0134