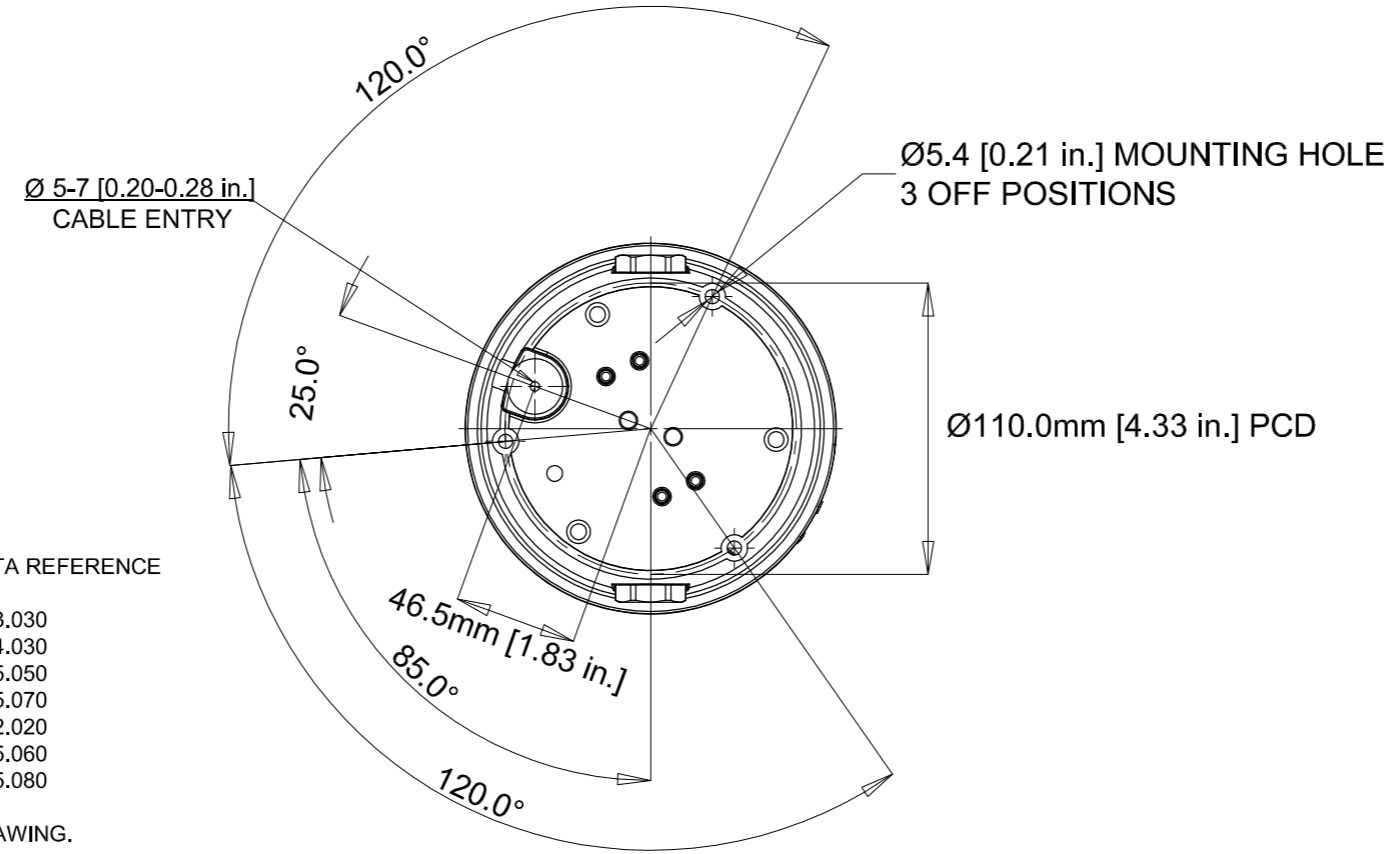
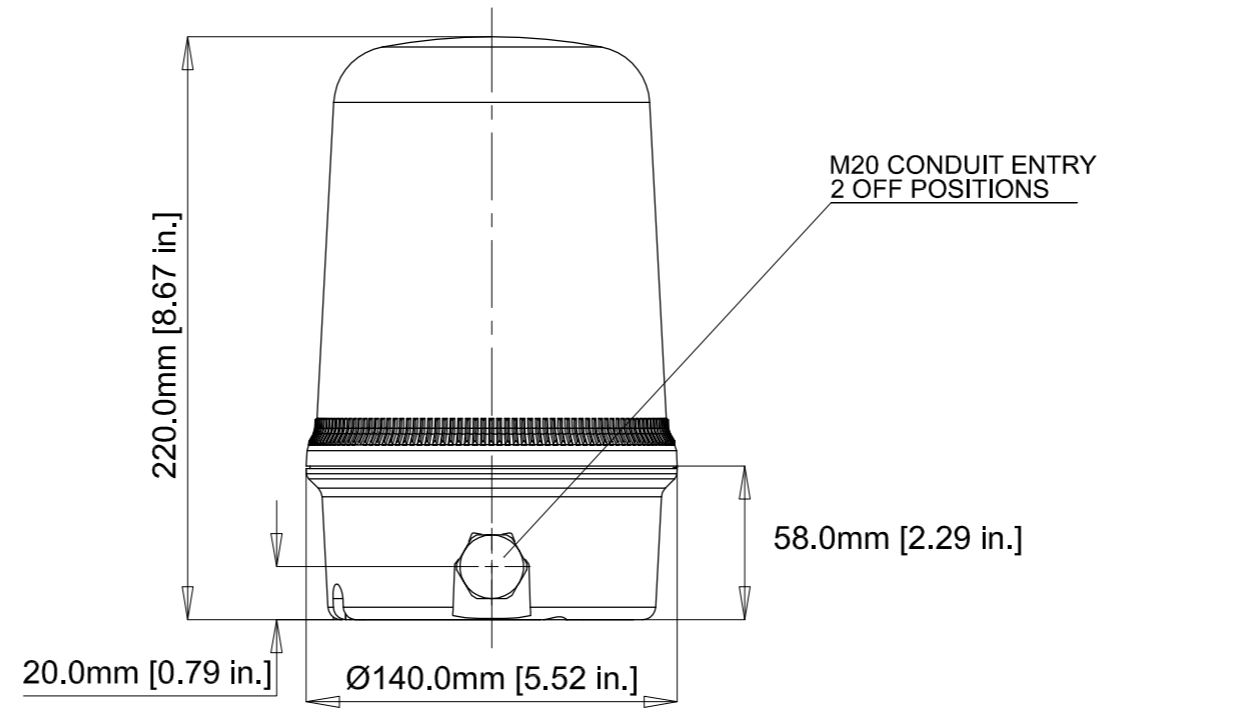


| ISSUE | MOD No. | REASON - INITIAL - DATE               |
|-------|---------|---------------------------------------|
| A     |         | INTRODUCTION OF PART<br>RNP 25-10-07  |
| B     |         | UPDATED TO DUAL DIMS.<br>RSR 24-06-13 |



| E2S PART NO. | DESCRIPTION                               | DATA REFERENCE |
|--------------|-------------------------------------------|----------------|
| B400STR...   | B400STR XENON STROBE BEACON               | 2.13.030       |
| B400LDA...   | B400LDA LED BEACON (MULTI FUNCTION ARRAY) | 2.14.030       |
| B400SLF...   | B400SLF STATUS BEACON (FILAMENT LAMP)     | 2.15.050       |
| B400FLF...   | B400FLF BLINKING BEACON (HALOGEN LAMP)    | 2.15.070       |
| B400RTH...   | B400RTH LED PERMANENT BEACON              | 2.12.020       |
| B400SLH...   | B400SLH STATUS BEACON (FILAMENT LAMP)     | 2.15.060       |
| B400FLH...   | B400FLH BLINKING BEACON (HALOGEN LAMP)    | 2.15.080       |

WHERE APPLICABLE '-UL' VERSIONS ARE COVERED BY THIS OUTLINE DRAWING.

|                                                                                                                       |                             |                         |                          |                      |                                                                                                                                                                                                                                                                                                                                                                                            |                                                                                                       |                                                                    |                 |                                 |
|-----------------------------------------------------------------------------------------------------------------------|-----------------------------|-------------------------|--------------------------|----------------------|--------------------------------------------------------------------------------------------------------------------------------------------------------------------------------------------------------------------------------------------------------------------------------------------------------------------------------------------------------------------------------------------|-------------------------------------------------------------------------------------------------------|--------------------------------------------------------------------|-----------------|---------------------------------|
| DRAWING TO BS8888:2000<br>GEOMETRIC TOLERANCES TO ISO1101:1983<br>LINEAR DIMENSIONAL TOLS<br>ANGULAR DIMENSIONAL TOLS | DRAWN<br><b>R.N.POTTS</b>   | DATE<br><b>25.10.07</b> | SURFACE FINISH<br>FINISH | WEIGHT (Kg)          | THIS DRAWING AND ANY INFORMATION OR DESCRIPTIVE MATTER THEREIN IS COMMUNICATED IN CONFIDENCE AND IS THE COPYRIGHT PROPERTY OF EUROPEAN SAFETY SYSTEMS LTD. NEITHER THE WHOLE OR ANY EXTRACT MAY BE DISCLOSED, LOANED, COPIED OR USED FOR MANUFACTURING OR TENDERING PURPOSES WITHOUT THEIR WRITTEN CONSENT.<br><br>EUROPEAN SAFETY SYSTEMS LTD.<br>AS PER LATEST DATE OF ISSUE SHOWN ABOVE | EUROPEAN SAFETY SYSTEMS LTD<br>IMPRESS HOUSE<br>MANSELL ROAD<br>ACTON<br>LONDON W3 7QH<br>WWW.E2S.COM | ALL DIMENSIONS IN MM & [in.]<br>IF IN DOUBT, ASK -<br>DO NOT SCALE |                 | <b>A2</b>                       |
|                                                                                                                       | STANDARDS<br>PRODUCT<br>REF | CHECKED                 | DATE                     | MATERIAL             |                                                                                                                                                                                                                                                                                                                                                                                            |                                                                                                       | TITLE<br><b>B400 INSTALLATION OUTLINE<br/>SIZE</b>                 |                 |                                 |
|                                                                                                                       |                             | APPROVED                | DATE                     | ALTERNATIVE MATERIAL |                                                                                                                                                                                                                                                                                                                                                                                            |                                                                                                       | SCALE<br>1:2                                                       | SHEET<br>1 OF 1 | DRAWING NUMBER<br><b>SK0012</b> |