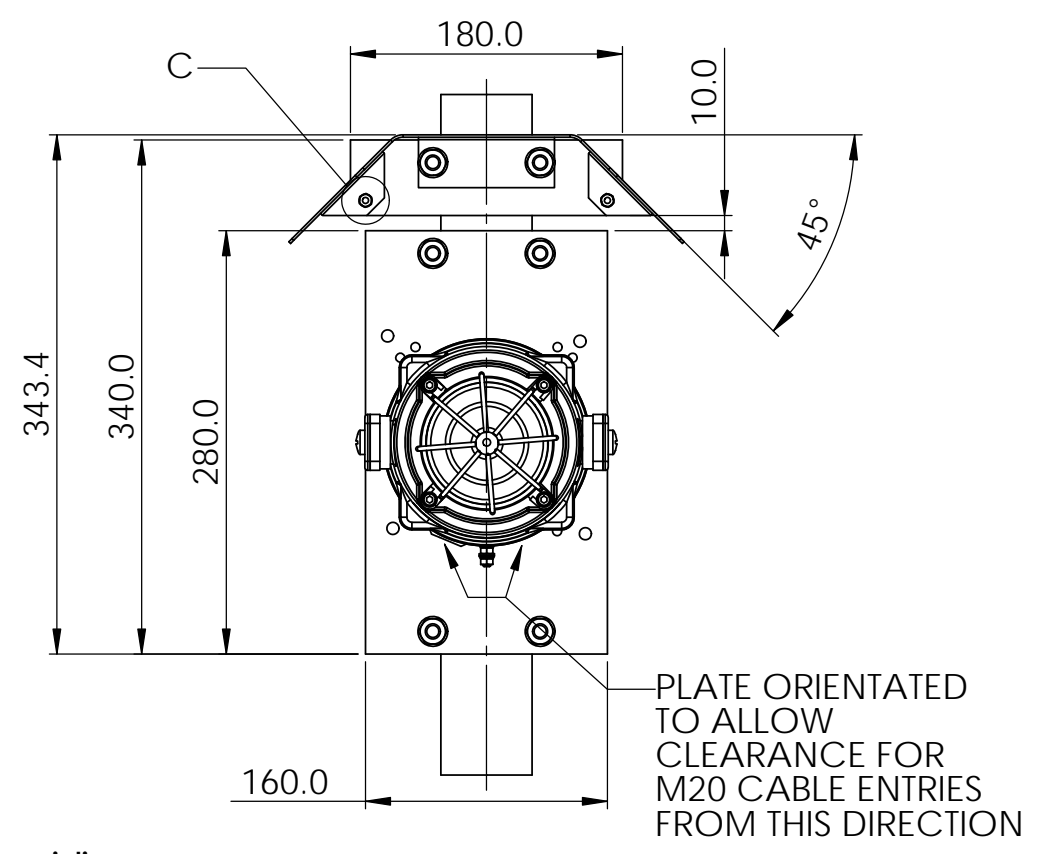
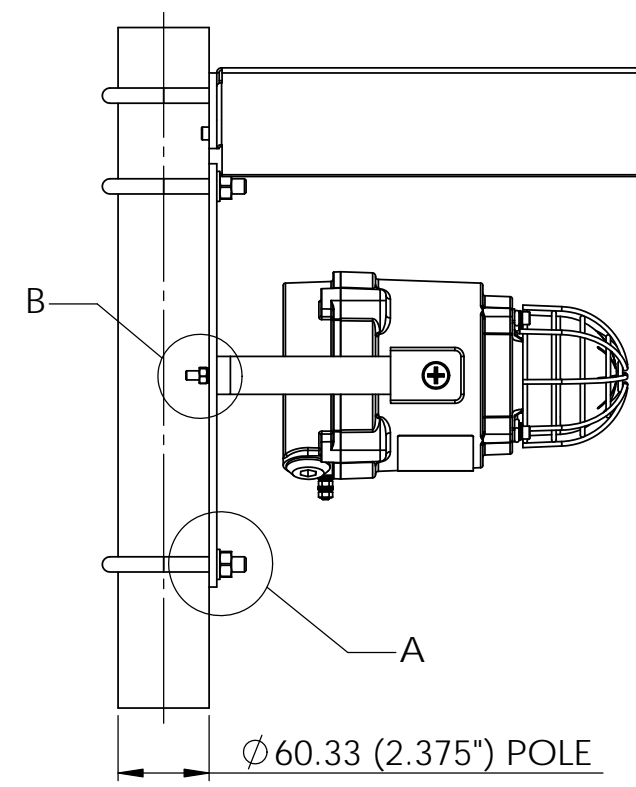
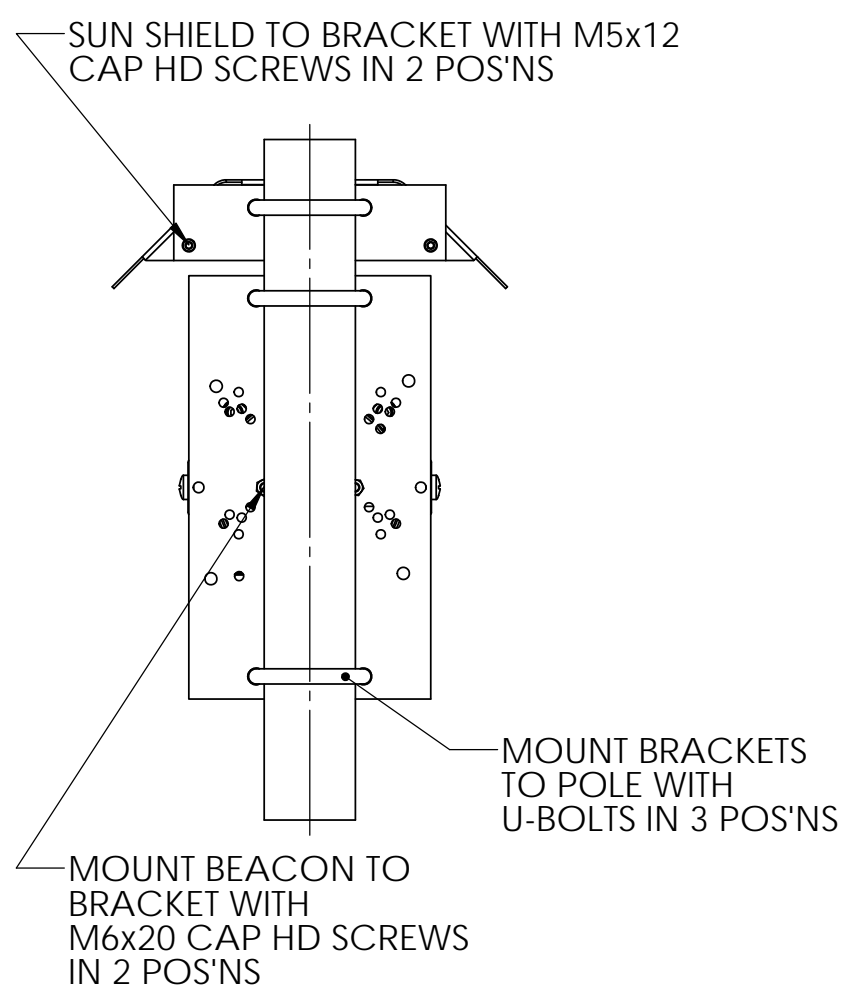
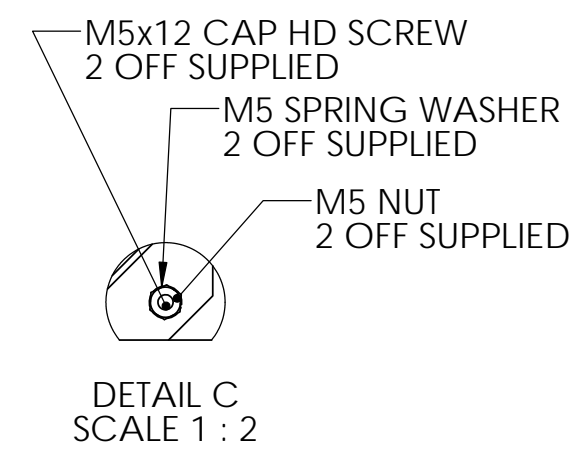
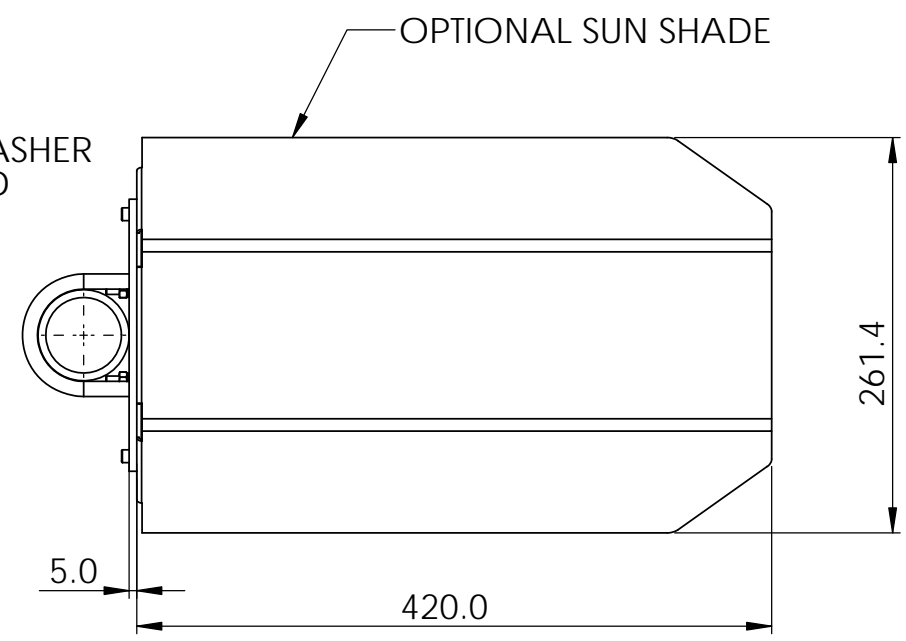
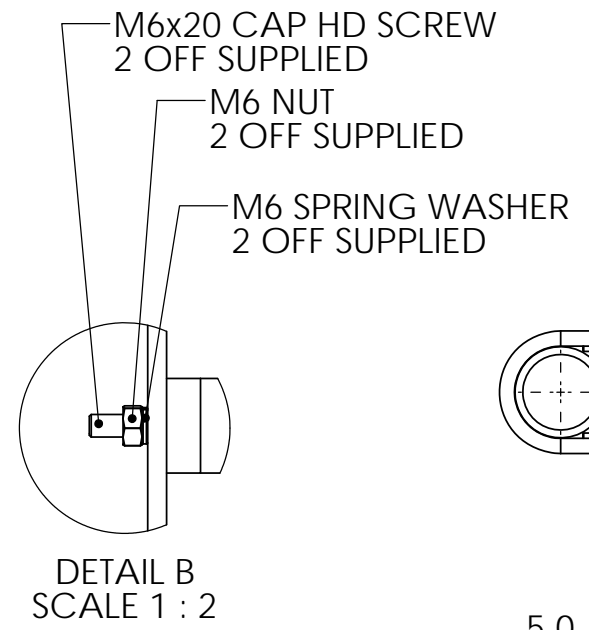
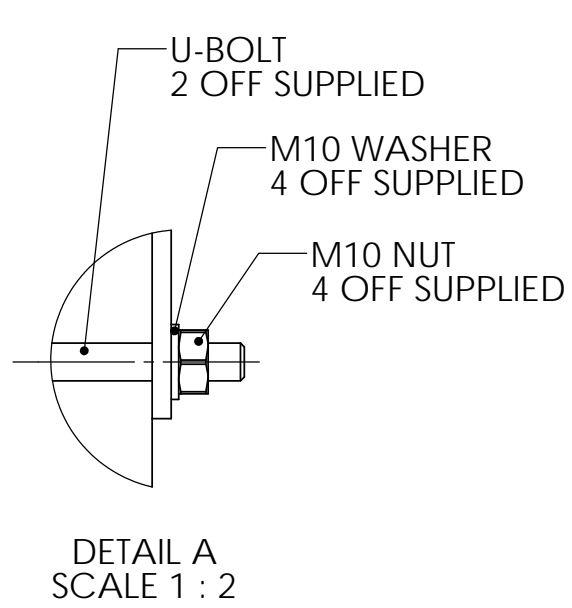


ISSUE	MOD No.	REASON - INITIAL - DATE
A		Introduction M.VYAS - 24/11/17
B		Updated plate with wider dimension added M.VYAS - 03/01/18
C		Various changes to notes DAH 27/07/2018



**Part Codes:**  
 SP65-0001-A2 Pole Mount Bracket Kit 2" St/St A2 (304)  
 SP65-0001-A4 Pole Mount Bracket Kit 2" St/St A4 (316)  
 SP65-0003-A2 Sunshade - St/St A2 (304)  
 SP65-0003-A4 Sunshade - St/St A4 (316)

**Description:**  
 Pole Mount Bracket Kit 2" St/St A2 (304)  
 Pole Mount Bracket Kit 2" St/St A4 (316)  
 Sunshade - St/St A2 (304)  
 Sunshade - St/St A4 (316)

DRAWING TO BS8888:2000 GEOMETRIC TOLERANCES TO ISO1101:1983 LINEAR DIMENSIONAL TOLS ANGULAR DIMENSIONAL TOLS	DRAWN	DATE	SURFACE FINISH	WEIGHT (Kg)	THIS DRAWING AND ANY INFORMATION OR DESCRIPTIVE MATTER THEREIN IS COMMUNICATED IN CONFIDENCE AND IS THE COPYRIGHT PROPERTY OF EUROPEAN SAFETY SYSTEMS LTD. NEITHER THE WHOLE OR ANY EXTRACT MAY BE DISCLOSED, LOANED, COPIED OR USED FOR MANUFACTURING OR TENDERING PURPOSES WITHOUT THEIR WRITTEN CONSENT.	 warning signals EUROPEAN SAFETY SYSTEMS LTD IMPRESS HOUSE MANSELL ROAD ACTON LONDON W3 7QH WWW.E2S.COM	ALL DIMENSIONS IN MM IF IN DOUBT, ASK - DO NOT SCALE			A3
	M.VYAS	24/11/17					TITLE <b>DN 50mm (NPS 2") POLE &amp; SUN SCREEN</b>			
	CHECKED	DATE					BExBG BEACONS			
STANDARDS	R.N.POTTS	24/11/17	ALTERNATIVE MATERIAL	(C) EUROPEAN SAFETY SYSTEMS LTD. AS PER LATEST DATE OF ISSUE SHOWN ABOVE	SCALE	SHEET	DRAWING NUMBER			
PRODUCT REF	R.N.POTTS	24/11/17			1:5	1 OF 1	D217-05-201			