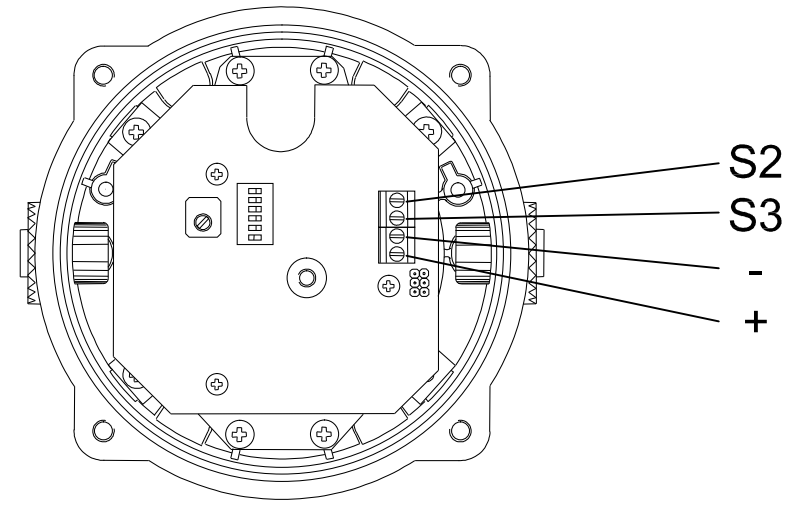


8	9	10
ISSUE	MOD No.	INITIAL/DATE
A		INTRODUCTION OF CIRCUIT RNP 23-09-2016

Fig 1 DC Terminals

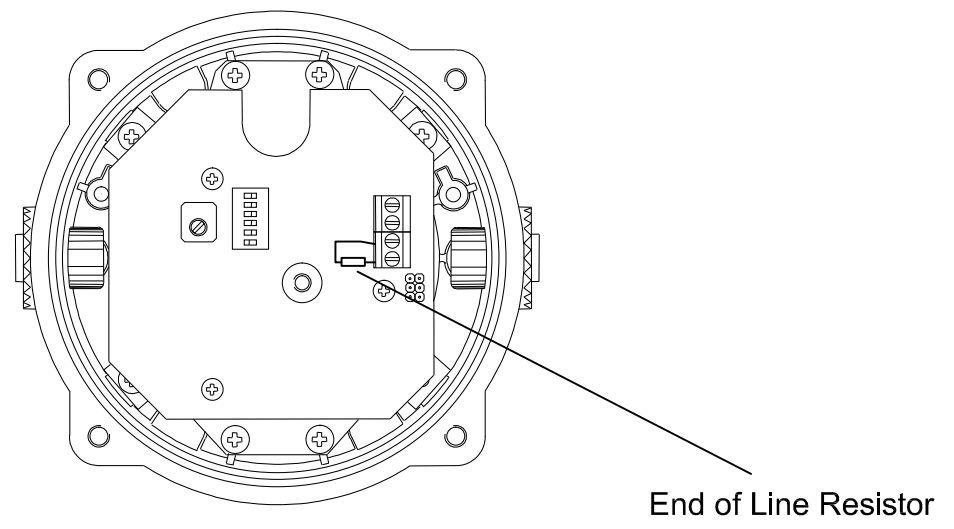


Line Monitoring

On BExS110D ; BExS120D ; BExDS110D ; BExDS120D DC units, DC reverse line monitoring can be used as required. All DC sounders have a blocking diode fitted in their supply input lines. An end of line monitoring diode or an end of line monitoring resistor can be connected across the +ve and -ve terminals. If an end of line resistor is used it must have a minimum resistance value of 3k3Ω and a minimum power rating of 0.5 watts or a minimum resistance value of 500Ω and a minimum power rating of 2 watts.

The resistor must be connected directly across the +ve and -ve terminals as shown in the following drawing. The resistor leads should be kept as short as possible.

Fig 2 End of Line Resistor Placement



SOUNDER TERMINALS

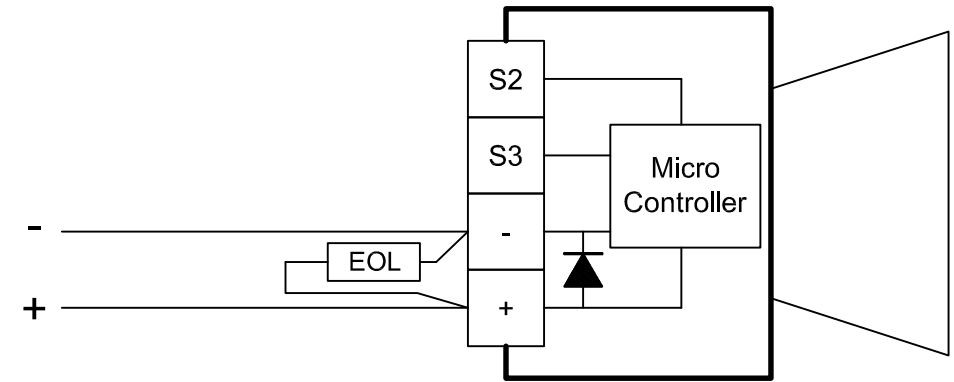


Fig 3 Schematic of EOL Resistor in Circuit

DRAWING TO BS8888:2000 GEOMETRIC TOLERANCES TO ISO1101:1983 LINEAR DIMENSIONAL TOLS +/-0.35mm ANGULAR DIMENSIONAL TOLS +/-2 deg
STANDARDS EOL MONITORING

DRAWN R. POTTS	DATE 23-09-16
CHECKED B.ISARD	DATE 23-09-16
APPROVED R. POTTS	DATE 23-09-16

SURFACE FINISH	WEIGHT (Kg)
MATERIAL	
ALTERNATIVE MATERIAL	

THIS DRAWING AND ANY INFORMATION OR DESCRIPTIVE MATTER THEREIN IS COMMUNICATED IN CONFIDENCE AND IS THE COPYRIGHT PROPERTY OF EUROPEAN SAFETY SYSTEMS LTD. NEITHER THE WHOLE OR ANY EXTRACT MAY BE DISCLOSED, LOANED, COPIED OR USED FOR MANUFACTURING OR TENDERING PURPOSES WITHOUT THEIR WRITTEN CONSENT.

© EUROPEAN SAFETY SYSTEMS LTD.
AS PER LATEST DATE OF ISSUE SHOWN ABOVE

e2S
warning signals

EUROPEAN SAFETY SYSTEMS LTD
IMPRESS HOUSE
MANSELL ROAD
ACTON
LONDON W3 7QH
WWW.E2S.COM

ALL DIMENSIONS IN MM IF IN DOUBT, ASK - DO NOT SCALE				A3
TITLE BExS110D ; BExS120D ; BExDS110D AND BExDS120D LINE MONITORING EOL AND DIODE SCHEMATIC DIAGRAM				
SCALE 1:1	SHEET 1 OF 1	DRAWING NUMBER SK0444		