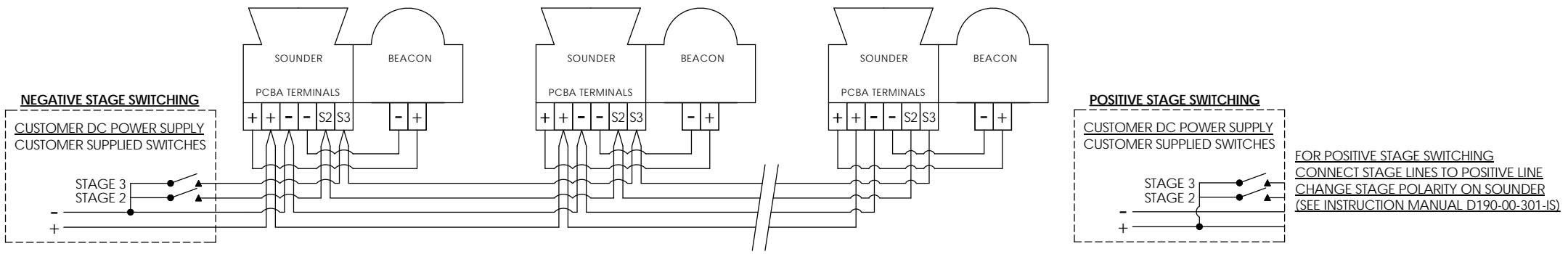
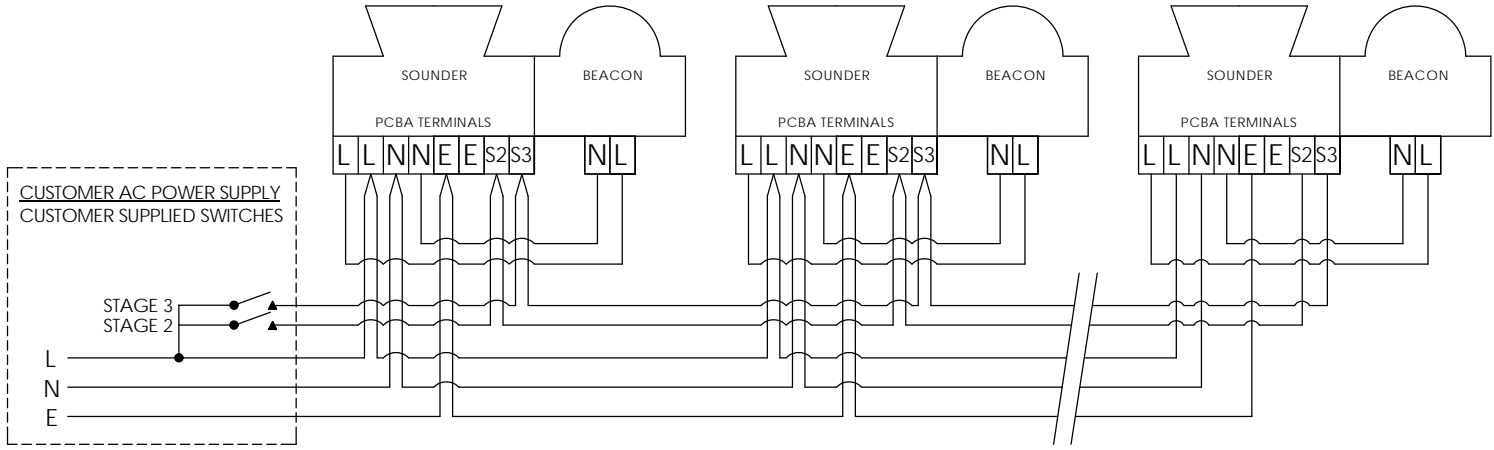


ISSUE	MOD No.	REASON - INITIAL - DATE
A		INTRODUCTION D.A.H - 20/05/19
B		WIRING DIAGRAMS NOW ON 1 SHEET D.A.H - 28/05/19

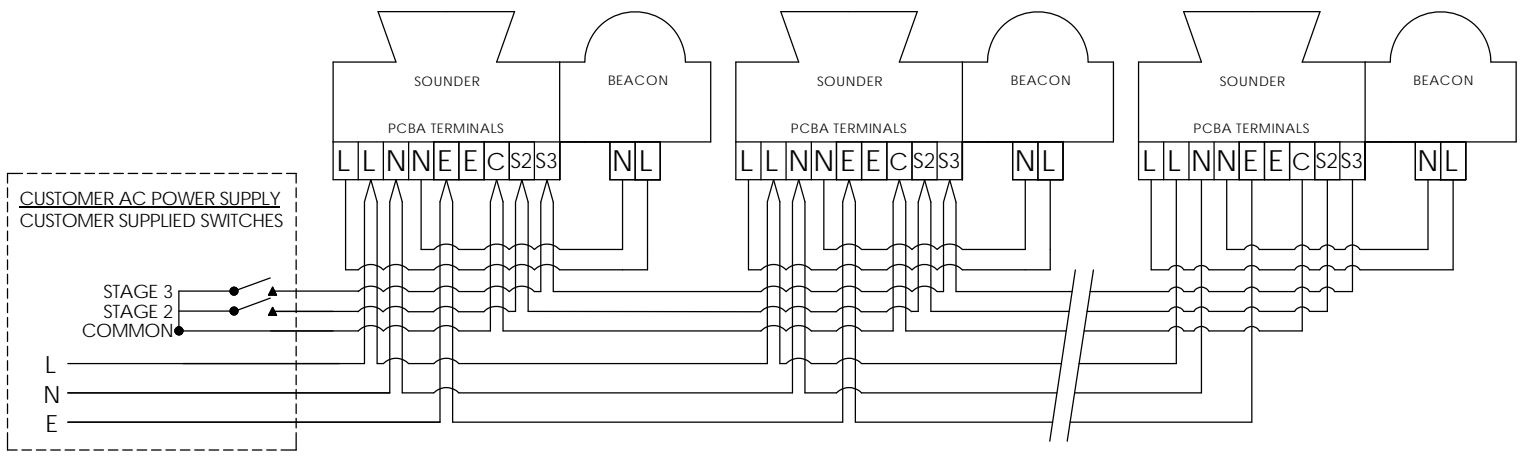
**DC D1XC1 X05, X10 STAGE 2 & 3 OPERATION**  
**DC D1XC2 X05, X10 STAGE 2 & 3 OPERATION**



**AC D1XC1 X05, X10 STAGE 2 & 3 OPERATION**



**AC D1XC2 X05, X10 STAGE 2 & 3 OPERATION**



DRAWING TO BS8888:2000  
 GEOMETRIC TOLERANCES TO ISO1101:1983  
 LINEAR DIMENSIONAL TOLS  
 ANGULAR DIMENSIONAL TOLS

STANDARDS  
**PRODUCT REF**

DRAWN	DATE
D.HOWGILL	20/05/19
CHECKED	DATE
R.N.POTTS	20/05/19
APPROVED	DATE
R.N.POTTS	20/05/19

SURFACE FINISH	WEIGHT (Kg)
MATERIAL	
ALTERNATIVE MATERIAL	

THIS DRAWING AND ANY INFORMATION OR DESCRIPTIVE MATTER THEREIN IS COMMUNICATED IN CONFIDENCE AND IS THE COPYRIGHT PROPERTY OF EUROPEAN SAFETY SYSTEMS LTD. NEITHER THE WHOLE OR ANY EXTRACT MAY BE DISCLOSED, LOANED, COPIED OR USED FOR MANUFACTURING OR TENDERING PURPOSES WITHOUT THEIR WRITTEN CONSENT.

EUROPEAN SAFETY SYSTEMS LTD.  
 AS PER LATEST DATE OF ISSUE SHOWN ABOVE

EUROPEAN SAFETY SYSTEMS LTD  
 IMPRESS HOUSE  
 MANSELL ROAD  
 ACTON  
 LONDON W3 7QH  
 WWW.E2S.COM

ALL DIMENSIONS IN MM IF IN DOUBT, ASK - DO NOT SCALE			<b>A3</b>
TITLE <b>D1xC1, D1xC2 X05/X10 WIRING DIAGRAMS</b>			
SCALE	SHEET	DRAWING NUMBER	
NTS	1 OF 1	<b>D190-06-301</b>	