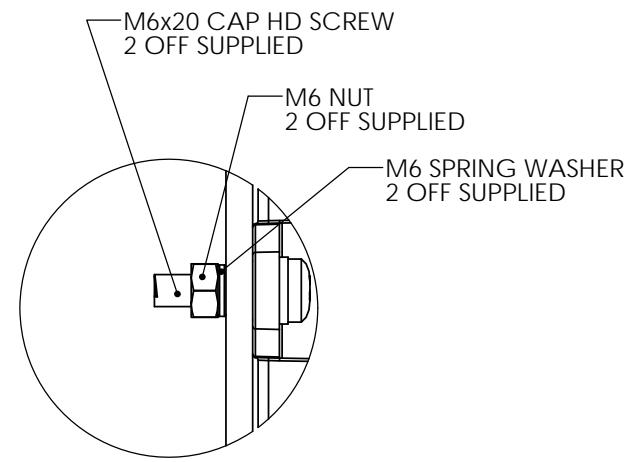
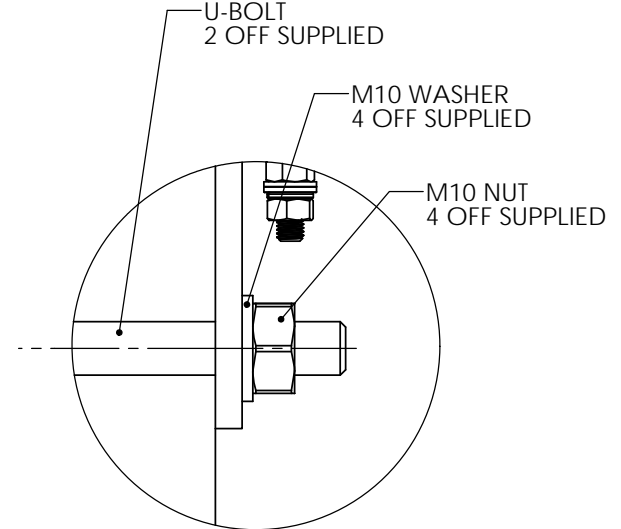
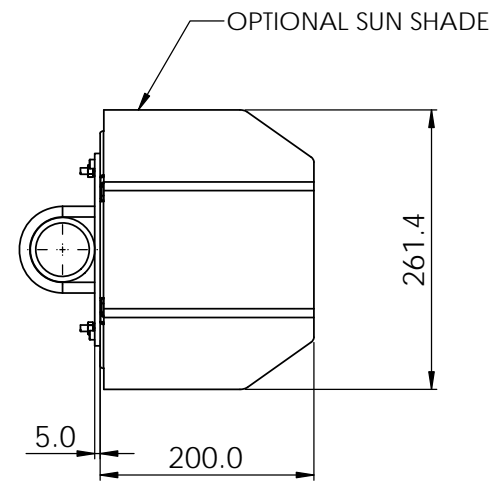


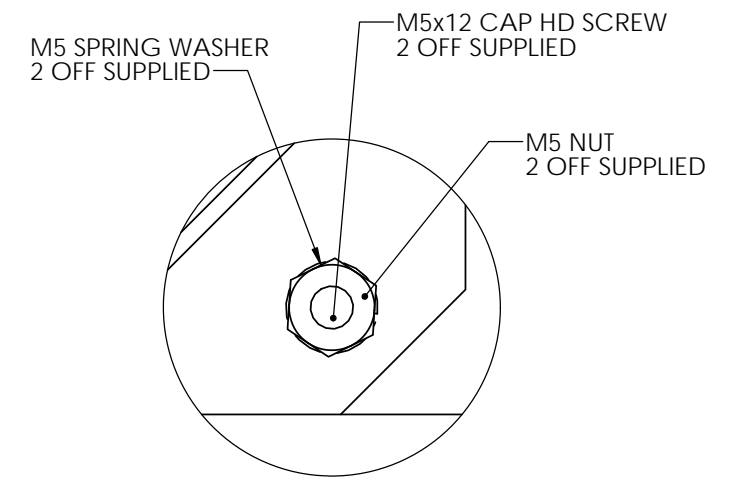
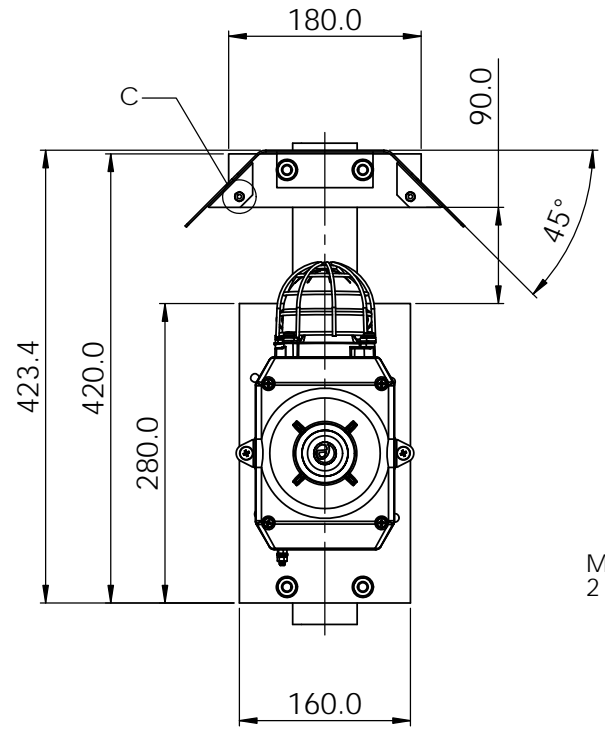
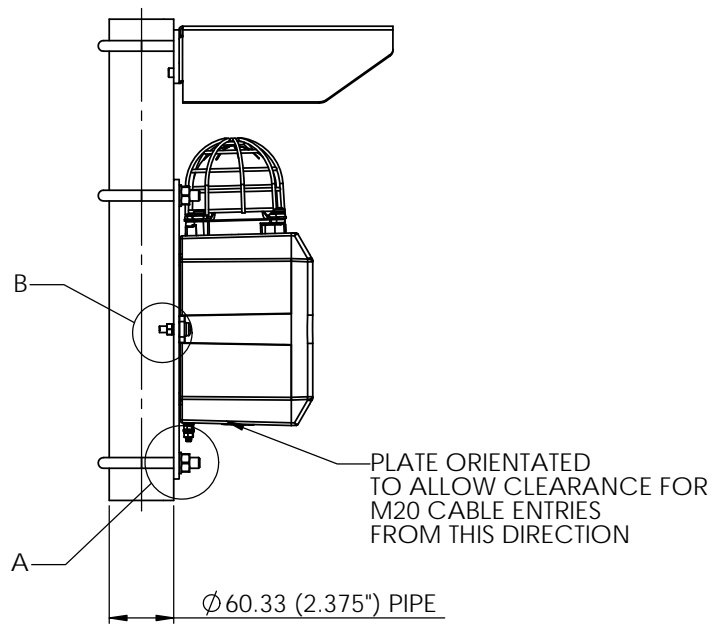
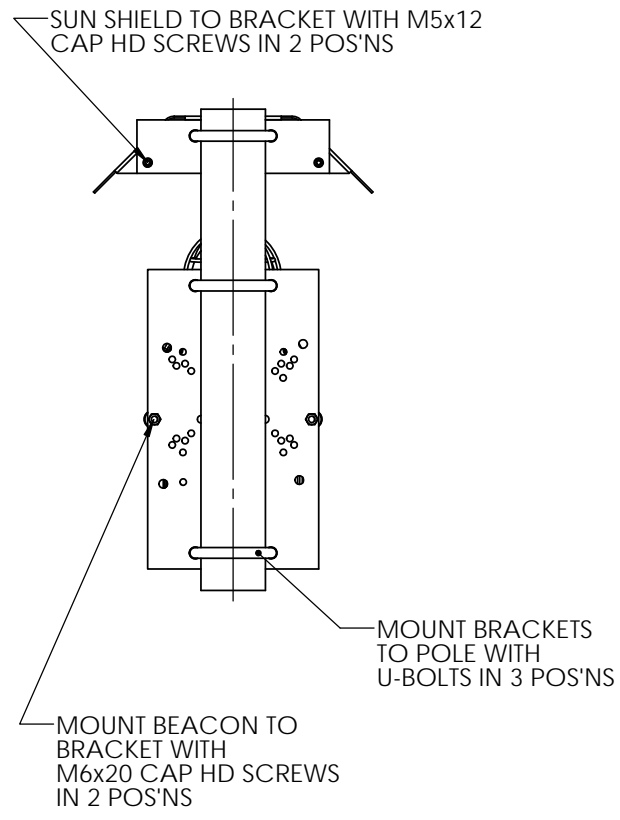
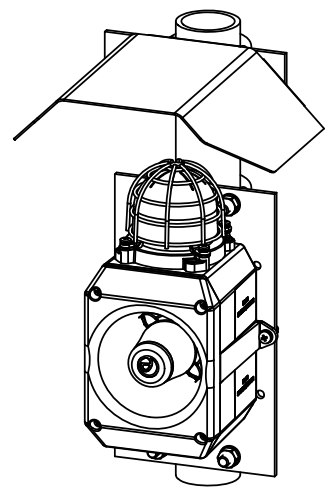
ISSUE	MOD No.	REASON - INITIAL - DATE
A		Introduction MV 08/01/18
B		Various changes to notes DAH 27/07/2018



DETAIL B  
SCALE 1 : 1



DETAIL A  
SCALE 1 : 1



DETAIL C  
SCALE 2 : 1

Part Codes:	Description:
SP65-0001-A2	Pole Mount Bracket Kit 2" St/St A2 (304)
SP65-0001-A4	Pole Mount Bracket Kit 2" St/St A4 (316)
SP65-0002-A2	Sunshade - St/St A2 (304)
SP65-0002-A4	Sunshade - St/St A4 (316)

DRAWING TO BS8888:2000 GEOMETRIC TOLERANCES TO ISO1101:1983 LINEAR DIMENSIONAL TOLS ANGULAR DIMENSIONAL TOLS	DRAWN	DATE	SURFACE FINISH FINISH	WEIGHT (Kg)	THIS DRAWING AND ANY INFORMATION OR DESCRIPTIVE MATTER THEREIN IS COMMUNICATED IN CONFIDENCE AND IS THE COPYRIGHT PROPERTY OF EUROPEAN SAFETY SYSTEMS LTD. NEITHER THE WHOLE OR ANY EXTRACT MAY BE DISCLOSED, LOANED, COPIED OR USED FOR MANUFACTURING OR TENDERING PURPOSES WITHOUT THEIR WRITTEN CONSENT.
	M.VYAS	08/01/18			
	CHECKED	DATE	MATERIAL		
STANDARDS	R.N.POTTS	08/01/18	ALTERNATIVE MATERIAL		EUROPEAN SAFETY SYSTEMS LTD. AS PER LATEST DATE OF ISSUE SHOWN ABOVE
	APPROVED	DATE			
	R.N.POTTS	08/01/18			



ALL DIMENSIONS IN MM IF IN DOUBT, ASK - DO NOT SCALE				<b>A2</b>
TITLE DN 50mm (NPS 2") POLE & SUN SCREEN D2x C1 COMBINED HORN & BEACON				
SCALE	SHEET	DRAWING NUMBER		
1:5	1 OF 1	<b>D217-05-641</b>		