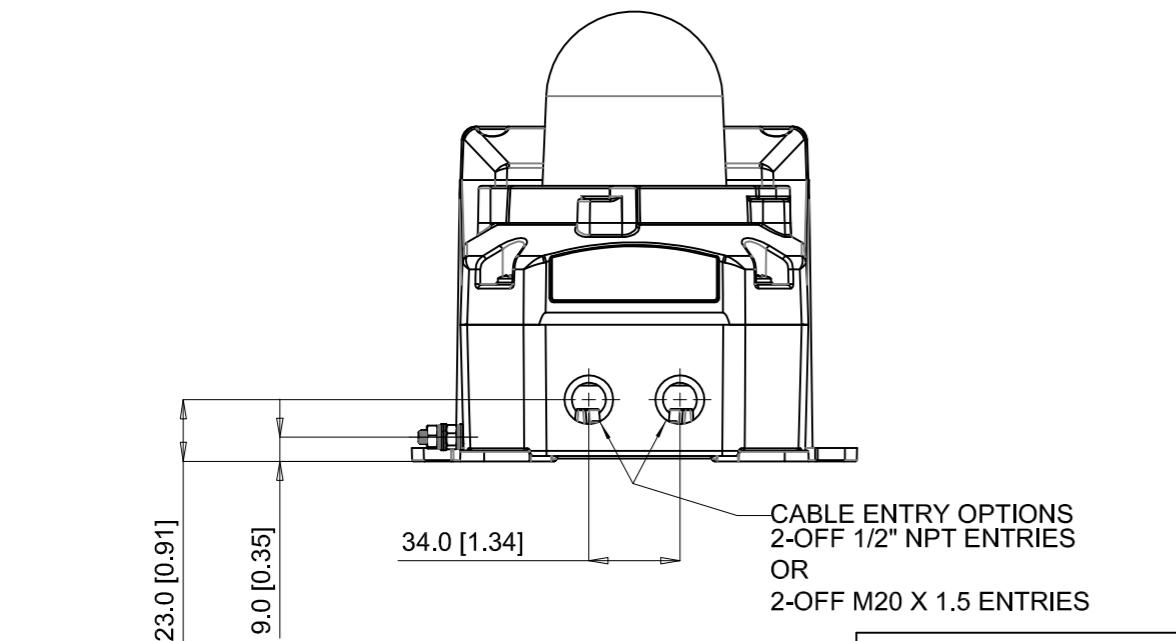
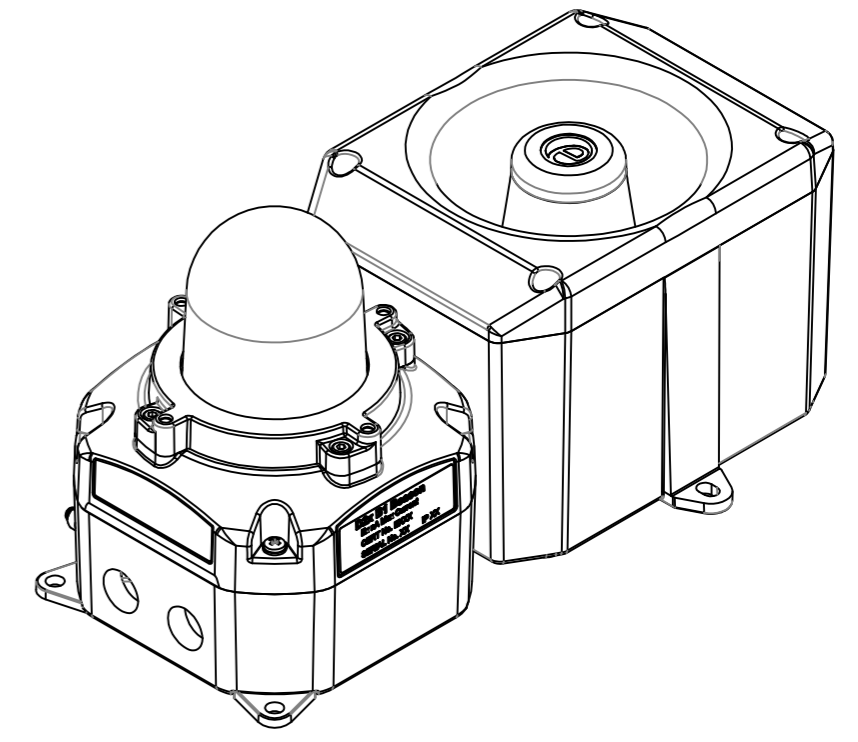
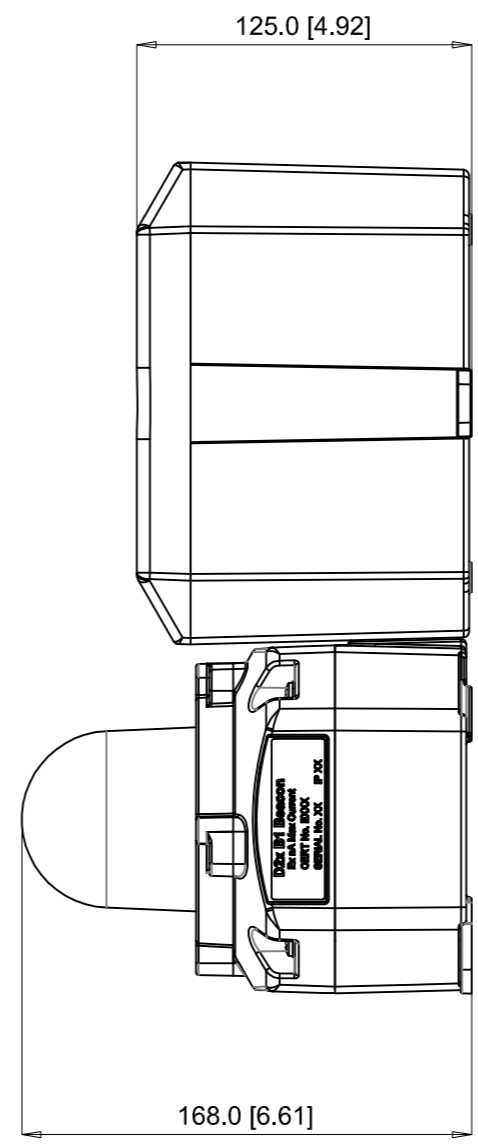
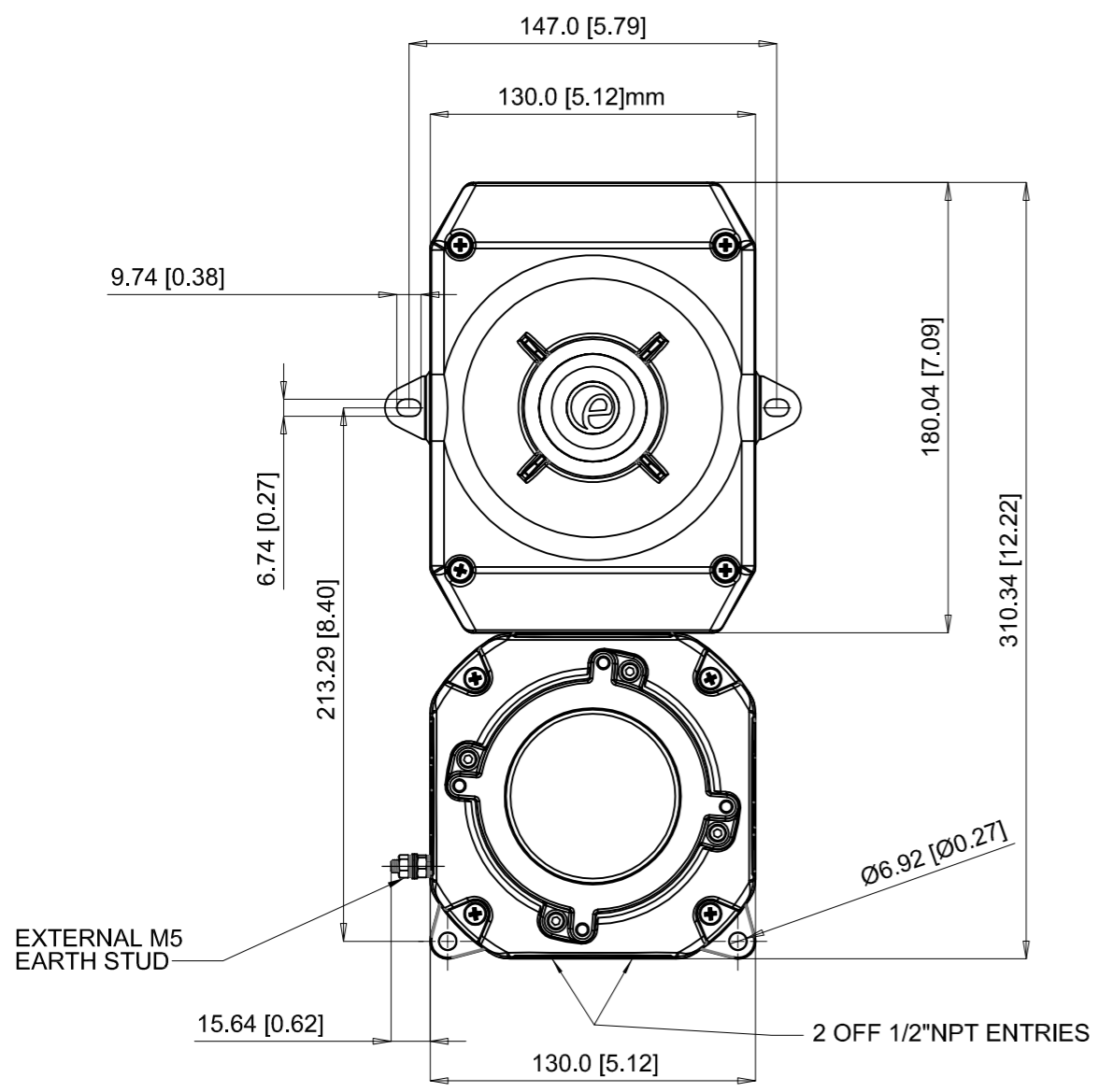


ISSUE	MOD No.	REASON - INITIAL - DATE
1		INTRODUCTION RSR 28-11-2019



E2S PART No.	DESCRIPTION	DATA REFERENCE
D2xC2LD2DC024AN0H1R/C	D2xC2LD2-H COMBINED HORN & LED BEACON PUBLIC FIRE MODE	1-34-040
D2xC2XH1DC024AN0H1R/C	D2xC2XH1 COMBINED HORN & 5J XENON BEACON PUBLIC FIRE MODE	1-34-050
D2xC2XH2DC024AN0H1R/C	D2xC2XH2 COMBINED HORN & 10J XENON BEACON PUBLIC FIRE MODE	1-34-060
D2xC2LD3DC024AN0H1R/C	D2xC2LD3 COMBINED HORN & LED BEACON PUBLIC FIRE MODE	1-34-041

DRAWING TO BS8888:2000 GEOMETRIC TOLERANCES TO ISO1101:1983 LINEAR DIMENSIONAL TOLS ANGULAR DIMENSIONAL TOLS	DRAWN <b>R.S. RAIT</b>	DATE <b>28-11-2019</b>	SURFACE FINISH	WEIGHT (Kg)	THIS DRAWING AND ANY INFORMATION OR DESCRIPTIVE MATTER THEREIN IS COMMUNICATED IN CONFIDENCE AND IS THE COPYRIGHT PROPERTY OF EUROPEAN SAFETY SYSTEMS LTD. NEITHER THE WHOLE OR ANY EXTRACT MAY BE DISCLOSED, LOANED, COPIED OR USED FOR MANUFACTURING OR TENDERING PURPOSES WITHOUT THEIR WRITTEN CONSENT.  EUROPEAN SAFETY SYSTEMS LTD. AS PER LATEST DATE OF ISSUE SHOWN ABOVE	 EUROPEAN SAFETY SYSTEMS LTD IMPRESS HOUSE MANSELL ROAD ACTON LONDON W3 7QH WWW.E2S.COM	ALL DIMENSIONS IN MM IF IN DOUBT, ASK - DO NOT SCALE	 A2
	CHECKED <b>B.ISARD</b>	DATE <b>28-11-2019</b>	MATERIAL	TITLE <b>D2xC2LD2 COMBO SOUNDER BEACON PUBLIC MODE UL1971 OUTLINE DRAWING</b>				
	STANDARDS	APPROVED <b>R.N.POTTS</b>	DATE <b>28-11-2019</b>	ALTERNATIVE MATERIAL			SCALE <b>1:1</b>	