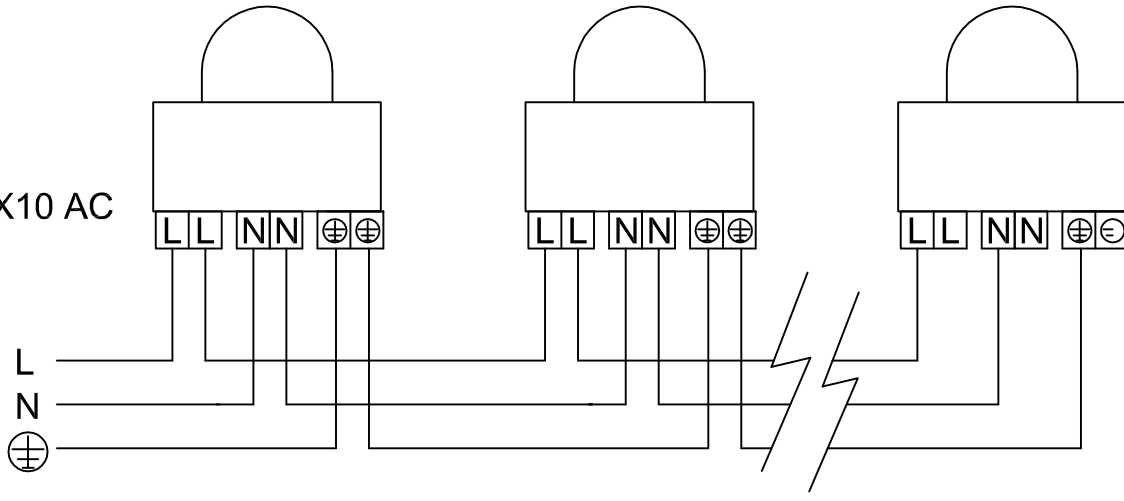
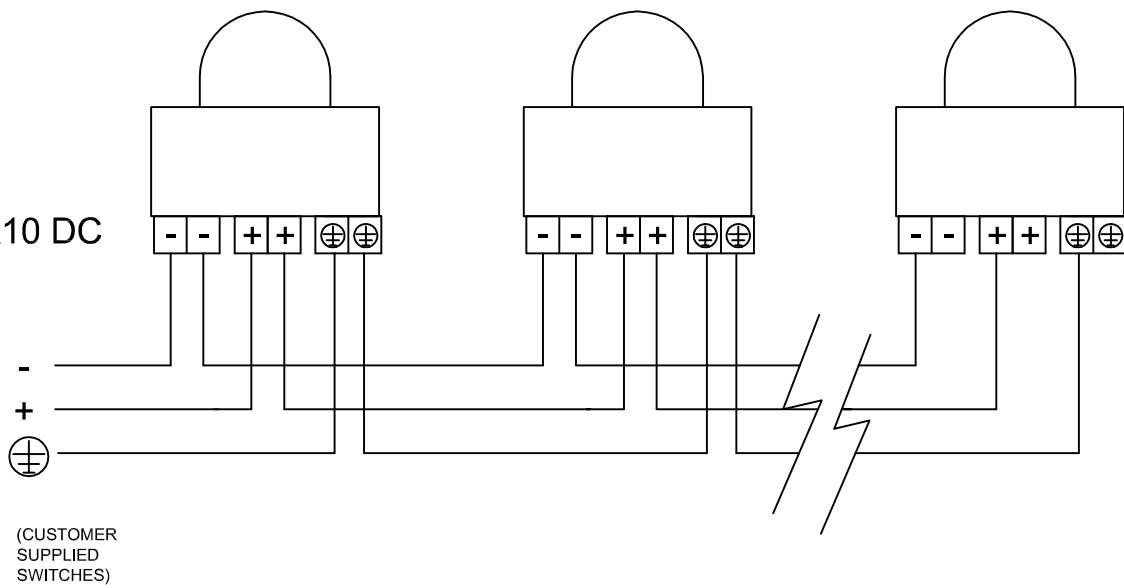


8	9	10
ISSUE	MOD No.	REASON - INITIAL - DATE
A		INTRODUCTION RSR - 05/08/2020

E2xB1X05 / E2xB1X10 AC



E2xB1X05 / E2xB1X10 DC



DRAWING TO BS8888:2000
GEOMETRIC TOLERANCES TO ISO1101:1983
LINEAR DIMENSIONAL TOLS
ANGULAR DIMENSIONAL TOLS

DRAWN	DATE
R.S.RAIT	05/08/2020
CHECKED	DATE
R.N.POTTS	05/08/2020
APPROVED	DATE
R.N.POTTS	05/08/2020

SURFACE FINISH	WEIGHT (Kg)
MATERIAL	
ALTERNATIVE MATERIAL	

THIS DRAWING AND ANY INFORMATION OR DESCRIPTIVE MATTER THEREIN IS COMMUNICATED IN CONFIDENCE AND IS THE COPYRIGHT PROPERTY OF EUROPEAN SAFETY SYSTEMS LTD. NEITHER THE WHOLE OR ANY EXTRACT MAY BE DISCLOSED, LOANED, COPIED OR USED FOR MANUFACTURING OR TENDERING PURPOSES WITHOUT THEIR WRITTEN CONSENT.

© EUROPEAN SAFETY SYSTEMS LTD.
AS PER LATEST DATE OF ISSUE SHOWN ABOVE

EUROPEAN SAFETY SYSTEMS LTD
IMPRESS HOUSE
MANSELL ROAD
ACTON
LONDON W3 7QH
WWW.E2S.COM

ALL DIMENSIONS IN MM IF IN DOUBT, ASK - DO NOT SCALE		A3
TITLE E2xB1X05 / E2xB1X10 XENON BEACON WIRING DIAGRAMS		
SCALE NTS	SHEET 1 OF 1	DRAWING NUMBER D209-06-201

A
B
C
D
E
F
G

A
B
C
D
E
F
G