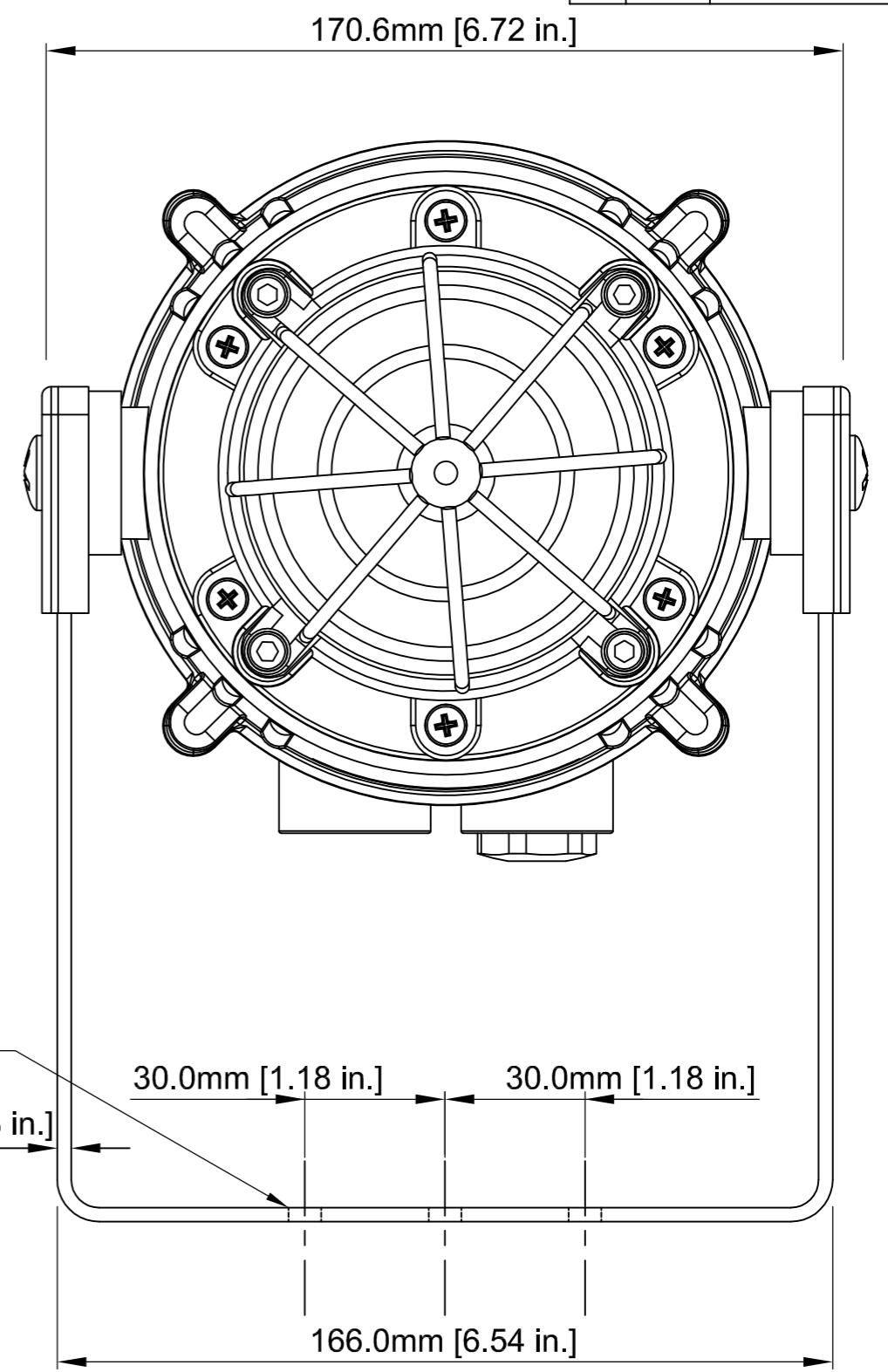
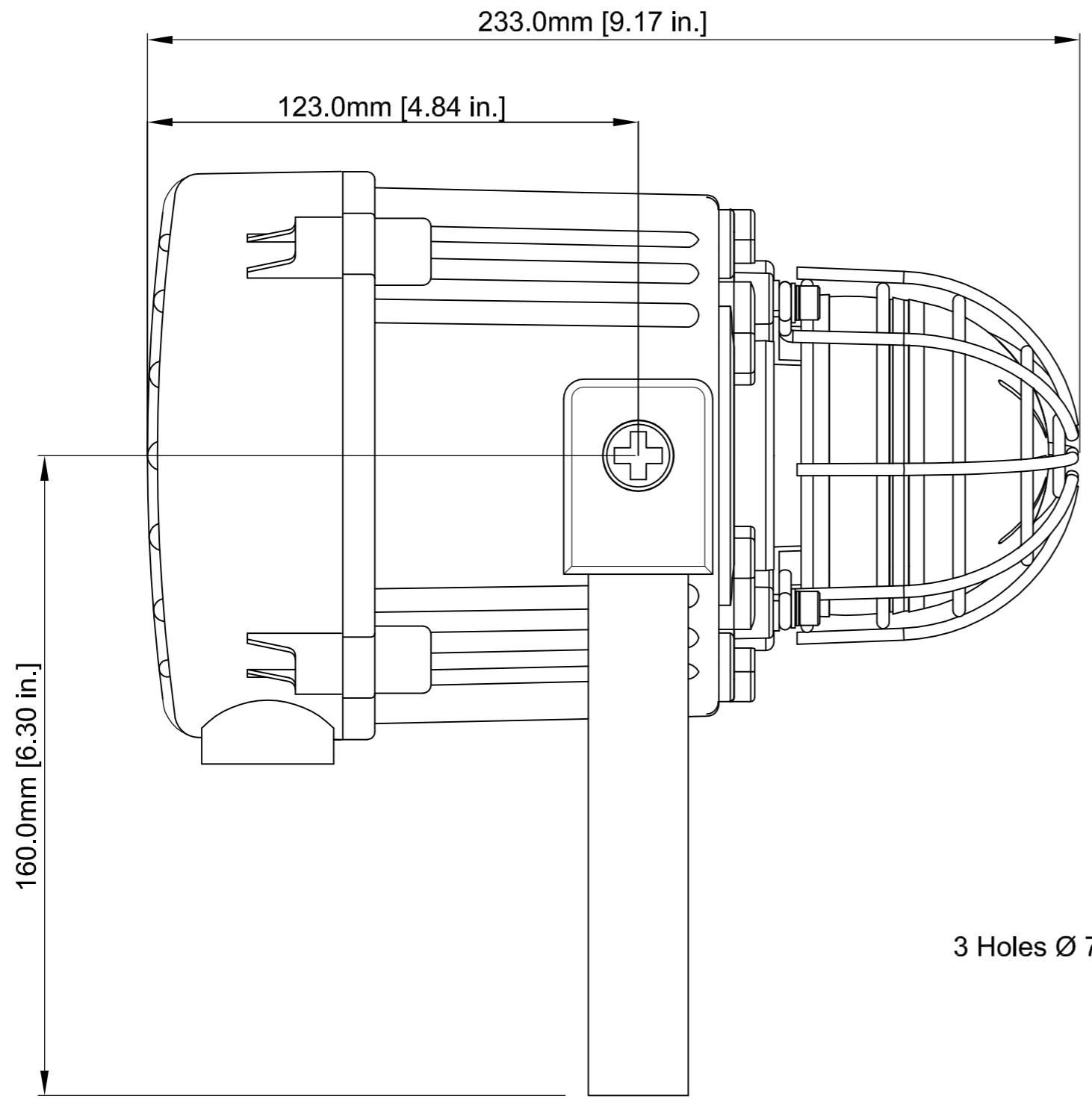


ISSUE	MOD No.	INITIAL/DATE
D		DATA REFERENCE FOR MB021P & MB015P ADDED RNP 19-03-14
E		NEW LENS SHOWN, MBL2 & E2xBL2 ADDED RSR 18-05-17
F		MARINE PART CODES UPDATED RSR 14-06-17



E2S PART NO.	DESCRIPTION	DATA REFERENCE
E2xB05...	E2xB05 XENON STROBE BEACON	1.31.010
E2xB10...	E2xB10 XENON STROBE BEACON	1.31.020
E2xBL2...	E2xBL2 LED BEACON	1.31.030
MBX05...	MBX05 XENON STROBE BEACON	2.13.060
MBX10...	MBX10 XENON STROBE BEACON	2.13.070
MBX15...	MBX15 XENON STROBE BEACON	2.13.100
MBX21...	MBX21 XENON STROBE BEACON	2.13.110
MBLD2...	MBLD2 LED BEACON	2.14.061

WHERE APPLICABLE '-UL' VERSIONS ARE COVERED BY THIS OUTLINE DRAWING.

DRAWING TO BS8888:2000 GEOMETRIC TOLERANCES TO ISO1101:1983 LINEAR DIMENSIONAL TOLS ANGULAR DIMENSIONAL TOLS	DRAWN G. UDOWICZENKO	DATE 21-04-09	SURFACE FINISH	WEIGHT (Kg)	THIS DRAWING AND ANY INFORMATION OR DESCRIPTIVE MATTER THEREIN IS COMMUNICATED IN CONFIDENCE AND IS THE COPYRIGHT PROPERTY OF EUROPEAN SAFETY SYSTEMS LTD. NEITHER THE WHOLE OR ANY EXTRACT MAY BE DISCLOSED, LOANED, COPIED OR USED FOR MANUFACTURING OR TENDERING PURPOSES WITHOUT THEIR WRITTEN CONSENT.	 EUROPEAN SAFETY SYSTEMS LTD. IMPRESS HOUSE MANSELL ROAD ACTON LONDON W3 7QH WWW.E2S.COM	ALL DIMENSIONS IN MM IF IN DOUBT, ASK - DO NOT SCALE		A2
	CHECKED	DATE	MATERIAL						
	APPROVED	DATE	ALTERNATIVE MATERIAL						
STANDARDS E2x	EUROPEAN SAFETY SYSTEMS LTD. AS PER LATEST DATE OF ISSUE SHOWN ABOVE					TITLE E2xB05, E2xB10, E2xBL2, MB021P, MB015P, MB005, MB010 Beacon SCALE 1:1 SHEET 1 OF 1 DRAWING NUMBER SK0072			