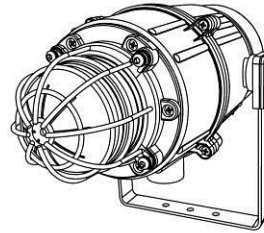


E2xC1LD2F



E2xC1LD2R

### 1) Warnings



- DO NOT OPEN WHEN AN EXPLOSIVE ATMOSPHERE IS PRESENT
- DO NOT OPEN WHEN ENERGISED
- POTENTIAL ELECTROSTATIC CHARGING HAZARD - CLEAN ONLY WITH A DAMP CLOTH
- HIGH VOLTAGE SHOCK HAZARD. WAIT 5 MINUTES AFTER REMOVING POWER BEFORE OPENING THE ENCLOSURE

#### Avertissement:

- NE PAS OUVRIR UN PRESENCE D'ATMOSPHERE EXPLOSIVE
- NE PAS OUVRIR ENERGIE
- DANGER POTENTIEL CHARGE ÉLECTROSTATIQUE - NETTOYER UNIQUEMENT AVEC UN CHIFFON HUMIDE
- HAUT TENSION, RISK DE CHOC. ATTENDEZ 5 MINUTES APRES AVOIR DEBRANCHE L'ALIMENTATION AVANT D'OUVRIR LA BOITIER

### Zones, Gas / Dust Groups and Temperature Classification

When connected to an approved system the E2XS1 alarm horn may be installed in:

Zone 2 explosive gas air mixture not likely to occur in normal operation, and if it does, it will only exist for a short time.

Zone 22 explosive dust air mixture not likely to occur in normal operation, and if it does, it will only exist for a short time.

### May be used with gases in groups:

Group IIA	propane
Group IIB	ethylene
Group IIC	hydrogen / acetylene

### Having a temperature classification (for Gas applications) of:

T1	450°C
T2	300°C
T3	200°C

### May be used with Dust types:

Group IIIA	combustible flyings
Group IIIB	non-conductive dust
Group IIIC	conductive dust

### Maximum Surface Temperature for Dust Applications:

105°C
90°C (up to 40°C ambient only)

Installation must be carried out in compliance with the latest issue of the following standards:

EN60079-14 / IEC60079-14: Explosive atmospheres - Electrical installations design, selection and erection  
 EN60079-10-1 / IEC60079-10-1: Explosive atmospheres - Classification of areas. Explosive gas atmospheres  
 EN60079-10-2 / IEC60079-10-2: Explosive atmospheres - Classification of areas. Explosive dust atmospheres

### 2) Rating & Marking Information

#### 2.1 ATEX / IECEx certification

The E2xC1LD2 combined alarm horn and LED beacon complies with the following standards:

EN60079-0:2012+A11:2013 / IEC60079-0: ed. 6.0 (2011-06)  
 EN60079-15:2010 / IEC60079-15: ed. 4.0 (2010-01)  
 EN60079-31:2014 / IEC60079-31:2013 ed. 2.0 (2013-11)

**Certificate No.** DEMKO 06ATEX 0421554X  
 IECEx ULD 14.0012X

The E2xC1LD2 combined alarm horn and LED beacon is rated as follows:



II 3G Ex nA IIC Gc T3 Ta -20°C to +55°C  
 II 3D Ex tc IIIC Dc T105°C Ta -20°C to +55°C  
 II 3D Ex tc IIIC Dc T90°C Ta -20°C to +40°C

CE Marking



## 2.2 NEC Class / Zone ratings US

The E2xC1LD2 combined alarm horn and LED beacon complies with the following standards:

UL 60079-0-2013  
UL 60079-15-2013  
UL 60079-31-2015

The E2xC1LD2 combined alarm horn and LED beacon is rated as follows:

Class I Zone 2 AEx nA IIC Gc T3 Ta -20°C to +55°C  
Zone 22 AEx tc IIIC Dc T105°C Ta -20°C to +55°C  
Zone 22 AEx tc IIIC Dc T90°C Ta -20°C to +55°C

Installation must be carried out in compliance with the National Electric Code.

## 2.3 CEC Class / Zone ratings Canada

The E2xC1LD2 combined alarm horn and LED beacon complies with the following standards:

CAN/CSA C22.2 No. 60079-0:2015  
CAN/CSA C22.2 No. 60079-15:2016  
CAN/CSA C22.2 No. 60079-31:2015

The E2xC1LD2 combined alarm horn and LED beacon is rated as follows:

Ex nA IIC Gc T3B Ta -20°C to +55°C  
Ex nA IIC Gc T3C Ta -20°C to +40°C  
Ex tc IIIC Dc T105°C Ta -20°C to +55°C  
Ex tc IIIC Dc T90°C Ta -20°C to +40°C

Installation must be carried out in compliance with the Canadian Electric Code

## 2.4 NEC & CEC Class / Division Ratings for US / Canada

The E2xC1LD2 combined alarm horn and LED beacon complies with the following standards:

ANSI/ISA 12.12.01-2015  
CSA C22.2 No. 213-16

The E2xC1LD2 combined alarm horn and LED beacon is rated as follows:

Class I, Div 2, ABCD T3C Ta -20°C to +55°C  
Class II, Div 2, FG T4A Ta -20°C to +55°C  
Class II, Div 2, FG T5 Ta -20°C to +40°C  
Class III, Div 1&2 Ta -20°C to +55°C

Installation must be carried out in compliance with the National Electric Code / Canadian Electric Code

## 2.5 Ingress Protection Ratings

The product is rated for ingress Protection as follows:

IP rating per EN60079-0: IP64  
IP rating per EN60529: IP66  
Type rating per UL50E / NEMA250: 4 / 4X / 13

To maintain the ingress protection rating, the two off cable entries must be fitted with suitably rated, certified cable entry and/or blanking devices during installation.

## 2.6 Electrical Ratings

Part No.	Voltage	Beacon Current	Sounder Current
E2xC1LD2FDC024 / E2xC1LD2RDC024	18-30Vdc	346mA	284mA
E2xC1LD2FDC048 / E2xC1LD2RDC048	42-54Vdc	115mA	146mA
E2xC1LD2FAC115 / E2xC1LD2RAC115	115-120Vac 50/60Hz	102.4mA	104mA
E2xC1LD2FAC230 / E2xC1LD2RAC230	220-230Vac 50/60Hz	49.4mA	54mA

It is important that a suitable power supply is used to run the equipment. The power supply selected must have the necessary capacity to provide the input current to all the units.

The input current will vary according to the voltage input level and the frequency of the tone selected. The current levels shown above are for the tone resulting in max. current draw (tone 1 - 340Hz Continuous) and worst-case input voltage producing max. current.

## 3) Special Conditions of Use

When used for a Group III application, the surface of the enclosure may store electrostatic charge and become a source of ignition in applications with a low relative humidity <~30% relative humidity where the surface is relatively free of surface contamination such as dirt, dust, or oil.

Guidance on protection against the risk of ignition due to electrostatic discharge can be found in EN TR50404 and IEC TR60079-32.

End user shall adhere to the manufacturer's installation and instruction when performing housekeeping to avoid the potential for hazardous electrostatic charges during cleaning, by using a damp cloth.

To maintain the ingress protection rating and mode of protection, the cable entries must be fitted with suitably rated, certified cable entry and/or blanking devices during installation. If conduit is used for installation, seal conduit within 18 inches from the enclosure.

Equipment with the flare horn shall not be installed with the flare higher than horizontal (to avoid accumulation of dust).

The equipment incorporates metal parts isolated from earth, having capacitance values exceeding the limits permitted in the standards of certification. Mounting bracket – 10.33pF; Lens guard – 12.33pF.

## 4) Location and Mounting

The location of the unit should be made with due regard to the area over which the warning signal must be audible. They should only be fixed to services that can carry the weight of the unit.

The E2x combined sounder beacon should be secured to any flat surface using the three 7mm fixing holes on the stainless steel U shaped mounting bracket. See Figure 1. The required angle can be achieved by loosening the two large bracket screws in the side of the unit, which allow adjustment of the unit in steps of 18°. On completion of the installation the two

large bracket adjustment screws on the side of the unit must be fully tightened to ensure that the unit cannot move in service.

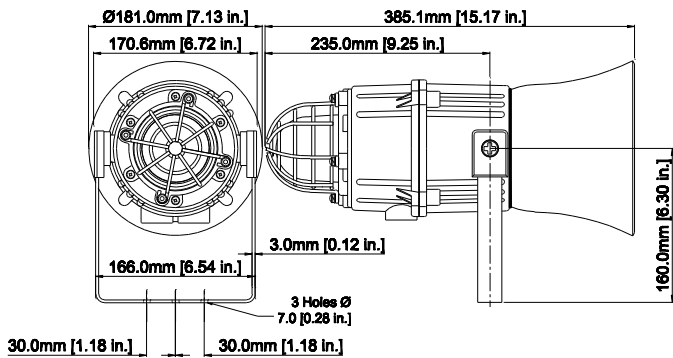


Fig. 1a Fixing Location for Combined Sounder Beacon Flare

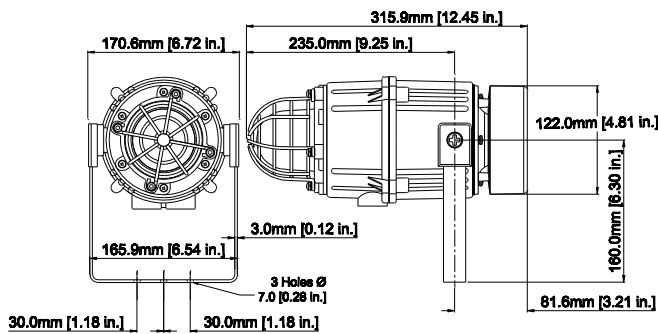


Fig. 1b Fixing Location for Combined Sounder Beacon Radial

## 5) Access to the Enclosure



Warning – High voltage may be present, risk of electric shock. DO NOT open when energised, disconnect power before opening.



Warning – Hot surfaces. External surfaces and internal components may be hot after operation, take care when handling the equipment.

To access the enclosure, remove the four M4 posi pan head screws, M4 spring and plain washers and withdraw the cover.

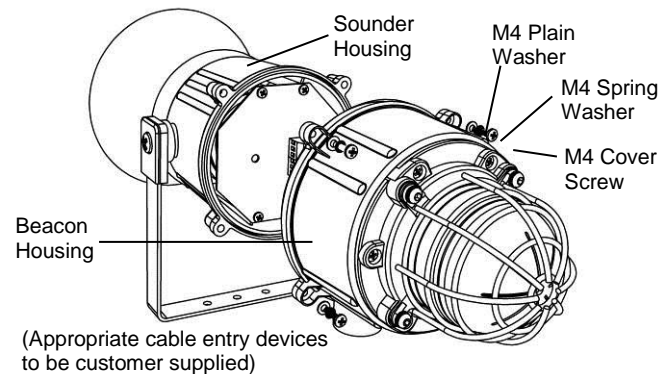


Fig. 2 Accessing the Enclosure.

To replace cover, check that the 'O' ring seal is in place. Carefully push the cover in place. Insert and tighten down M4 screws, spring and plain washers in the order shown above and tighten down.

## 6) Selection of Cable, Cable Glands, Blanking Elements & Adapters

When selecting the cable size, consideration must be given to the input current that each unit draws (see Table 1), the number of sounders on the line and the length of the cable runs. The cable size selected must have the necessary capacity to provide the input current to all of the sounders connected to the line.

The dual entries can be ordered with one of the following options:

- 2-off M20 x 1.5 thread
- 2-off ½" NPT thread
- 1-off M20 x 1.5 & 1-off ½" NPT thread

To maintain the ingress protection rating and mode of protection, the cable entries must be fitted with suitably rated, certified cable entry and/or blanking devices during installation. If conduit is used for installation, seal conduit within 18 inches from the enclosure.

For ambient temperatures over +40°C the cable entry temperature may exceed +70°C or the cable branching temperature may exceed +80°C. Therefore suitable heat resisting cables and cable glands must be used as per table below

Ambient Temp.	40°C	45°C	50°C	55°C
Min. Rating of cables and cable glands	90°C	95°C	100°C	105°C

If a high IP (Ingress Protection) rating is required then a suitable sealing washer must be fitted under the cable glands or blanking plugs.

For use in explosive dust atmospheres, a minimum ingress protection rating of IP6X must be maintained.

For use in explosive gas atmospheres, a minimum ingress protection rating of IP54 must be maintained.

## 7) Cable Connections

The E2xC1LD2 combined sounder beacon has separate printed circuit boards in the sounder and beacon sections. The terminals for the sounder are on the printed circuit board in the sounder section and the terminals for the beacon are on the printed circuit board in the beacon section (see figures 4a, 4b, 6a and 6b). See section 5 of this manual for access to the enclosure. See section 9 and 10 for AC and DC wiring diagrams respectively. Electrical connections are to be made into the terminal blocks on the PCBA located in the enclosure. See section 5 of this manual for access to the enclosure.

Wires having a cross sectional area between 0.5 mm<sup>2</sup> to 2.5mm<sup>2</sup> can be connected to each terminal way. If an input and output wire is required the 2-off Live/Neutral or +/- terminals can be used. If fitting 2-off wires to one terminal way the sum of the 2-off wires must be a maximum cross sectional area of 2.5mm<sup>2</sup>. Strip wires to 8mm. Wires may also be fitted using ferrules. Terminal screws on the sounder PCBA need to be tightened down with a tightening torque of 0.45 Nm / 4 Lb-in. Terminal screws on the beacon PCBA need to be tightened down with a tightening torque of 0.56 Nm / 5 Lb-in. When connecting wires to the terminals great

care should be taken to dress the wires so that when the cover is inserted into the chamber the wires do not exert excess pressure on the terminal blocks. This is particularly important when using cables with large cross sectional areas such as 2.5mm<sup>2</sup>.

## 8) Wiring the Combined Beacon & Sounder for Simultaneous or Independent Operation.

By default, the Beacon and Sounder PCBAs are pre-wired together for simultaneous operation. The units will be powered simultaneously if either the sounder or beacon board is powered. Stage switching is only available on the sounder boards. If the sounder and beacon boards are required to operate independently, the wires connecting the Beacon and Sounder PCBAs should be removed from both sets of terminal blocks, refer to fig. 3b & 5b.

## 9) AC Wiring

A 6-way terminal block is provided on the AC Sounder for power. There are 2-off Live, 2-off Neutral and 2-off Earth terminals in total. A 3-way terminal is provided for stage switching. There are 1-off stage 2, 1-off stage 3 and 1-off common terminals in total. 3-off 2-way terminal blocks are provided on the AC beacon for power. There are 2-off +ve, 2-off -ve and 2-off Earth terminals in total.

### 12.1 Wiring Diagrams

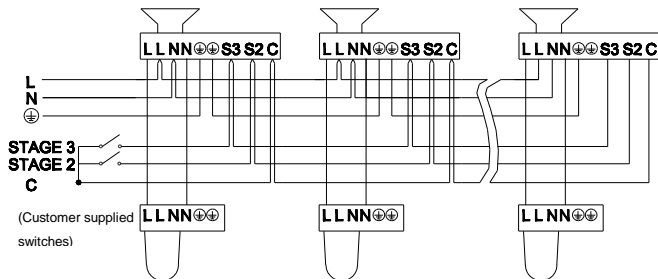


Fig 3a. E2xC1LD2 AC Simplified Block Diagram for Simultaneous Beacon & Sounder Operation (Pre-wired Connections left in place)

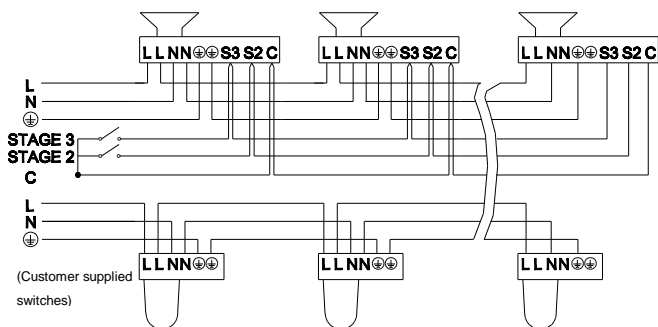
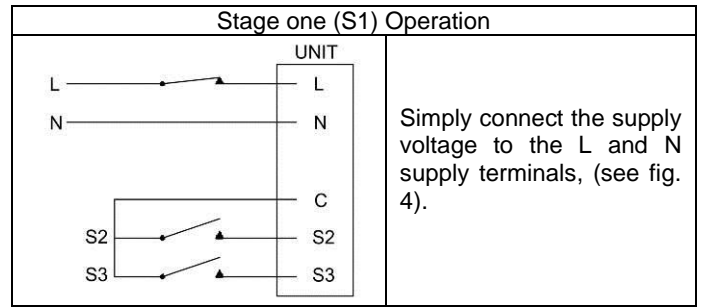


Fig 3b. E2xC1LD2 AC Simplified Block Diagram for Independent Beacon & Sounder Operation (Pre-wired Connections removed)

## 12.2 Stage Switching

### 12.2.1 Units First Stage Tones



### 12.2.2 AC Units Second & Third Stage Tone Selection (Sounder Only)

To select the second and third stage tones on the E2xC1LD2 AC sounder.

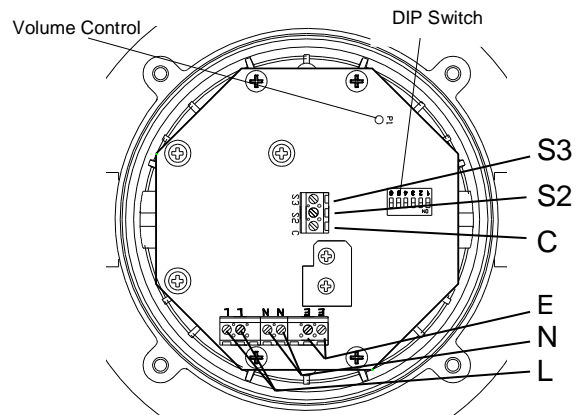
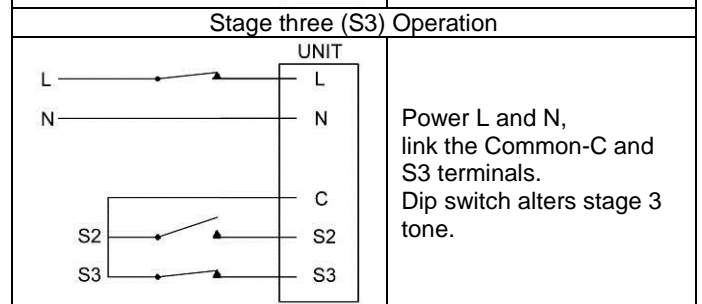
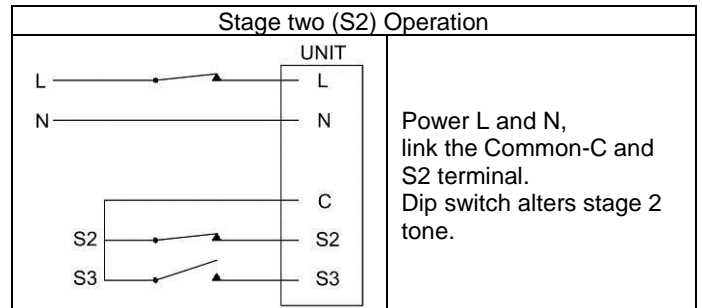


Fig. 4a AC Sounder Terminals

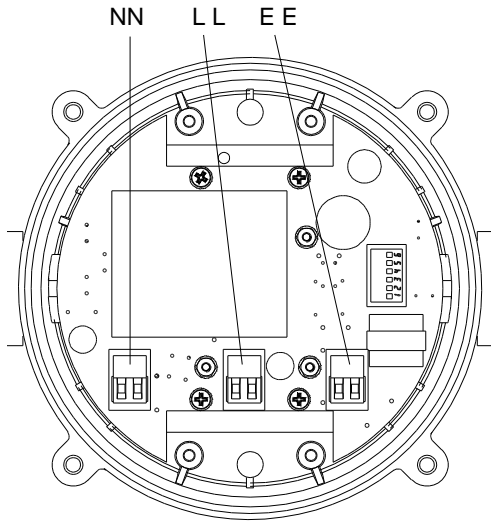
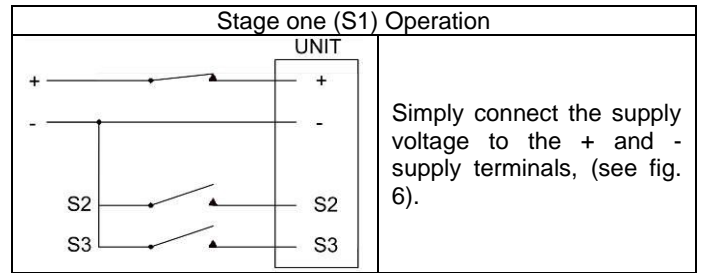


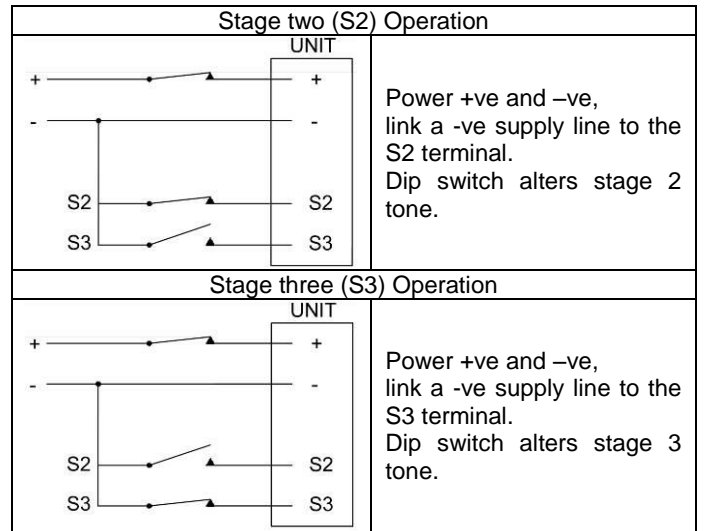
Fig. 4b AC Beacon Terminals

## 10.2 Stage Switching

### 10.2.1 Units First Stage Tones



### 10.2.2 DC Units Second & Third Stage Tone Selection



## 10) DC Wiring

A 10-way terminal block is provided on the DC Sounder. There are 2-off +ve, 2-off -ve, 2-off stage 2, 2-off stage 3 and 2-off Earth terminals in total. 3-off 2-way terminal block are provided on the DC Beacon. There are 2-off +ve, 2-off -ve, 1-off stage2 and 1-off stage 3 terminals in total.

### 10.1 Wiring Diagrams

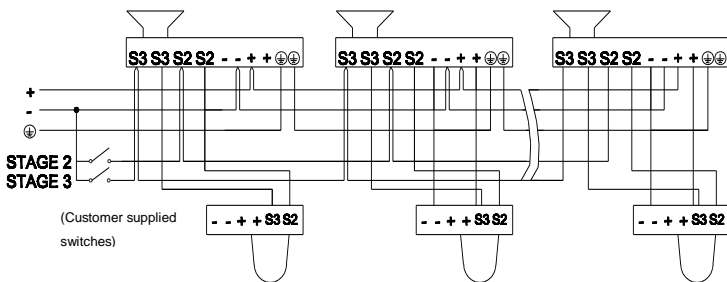


Fig. 5a E2xC1LD2 DC Simplified Block Diagram for Simultaneous Beacon & Sounder Operation (Pre-wired Connections left in place)

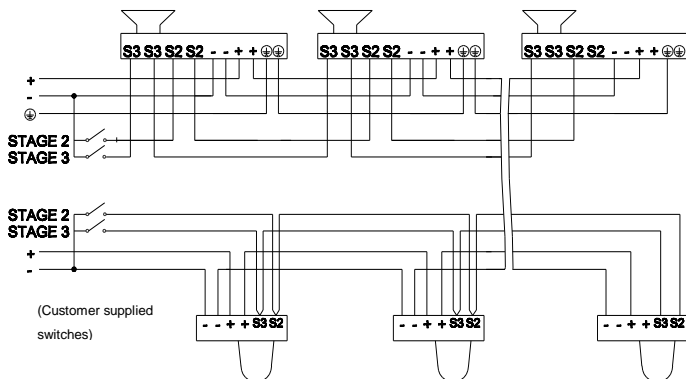


Fig. 5b E2xC1LD2 DC Simplified Block Diagram for Independent Beacon & Sounder Operation (Pre-wired Connections removed)

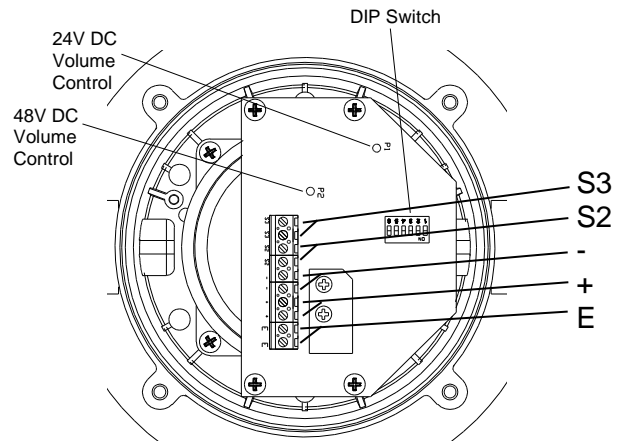


Fig. 6 DC Sounder Terminals

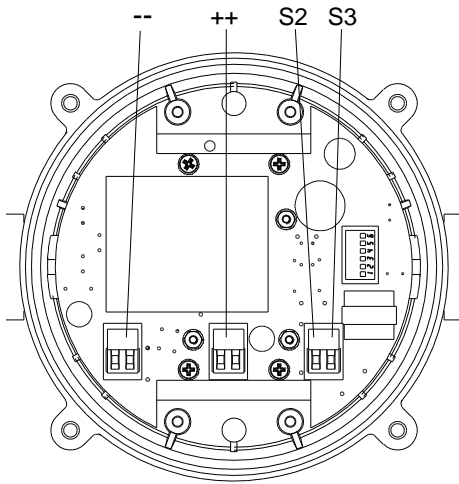


Fig. 6 beacon DC Terminals

### 10.3 Line Monitoring

On E2xC1LD2 DC units, DC reverse line monitoring can be used if required. All DC sounders and beacons have a blocking diode fitted in their supply input lines. An end of line monitoring resistor can be connected across the +ve and -ve terminals. If an end of line resistor is used it must have the following values:

24V DC units

Minimum resistance 3K9 Ohms	Minimum Power 0.5W
Minimum resistance 1K Ohms	Minimum Power 2.0W

48V DC units

Minimum resistance 15K Ohms	Minimum Power 0.5W
Minimum resistance 3K9 Ohms	Minimum Power 2.0W

#### 10.3.1 Sounder Line Monitoring

The resistor must be connected directly across the +ve and -ve terminals as shown in the following drawing. Whilst keeping its leads as short as possible, a spacing of at least 1/16" (1.58mm) must be provided through air and over surfaces between uninsulated live parts.

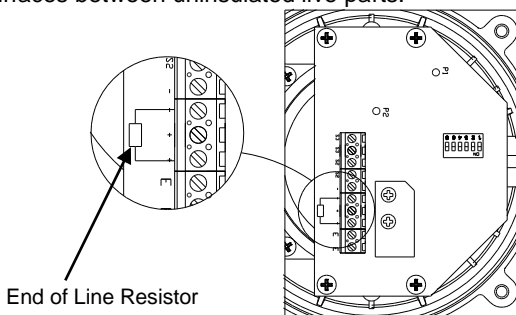


Fig. 8 End of Line Resistor Placement

#### 10.3.2 Beacon Line Monitoring (Independent Beacon and Sounder Operation Only)

The resistor must be connected directly across the +ve and -ve terminals as shown in the following drawing. Form the resistor legs as shown in Fig. 9a, remove the +ve and -ve

terminal plugs and fit the resistor across the two terminal plugs before refitting them to the PCBA as shown in Fig. 9b. A spacing of at least 1/16" (1.58mm) must be provided through air and over surfaces between uninsulated live parts.

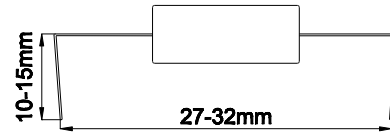


Fig. 9a End of Line Resistor Forming

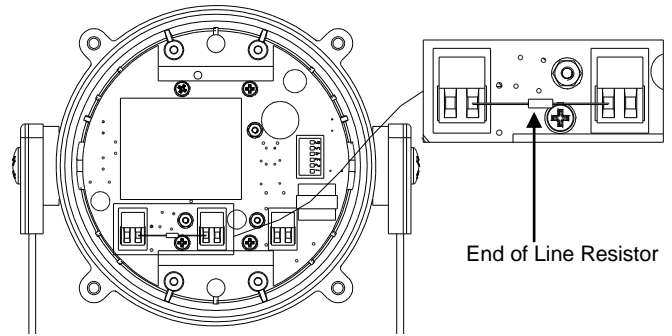


Fig. 9b End of Line Resistor Placement

## 11) Settings

### 11.1 Tone Selection

The sounders have 45 different tones that can be selected for the first stage alarm. The sounders can then be switched to sound second and third stage alarm tones. The tones are selected by operation of a DIP switch on the PCB for both DC and AC units. The tone table on page six shows the switch positions for the 45 tones and which tones are available for the second and third stages. To operate the sounder on stage 1 simply connect the supply voltage to the normal supply terminals (+ve and -ve for DC units, L and N for AC units).

### 11.2 Volume Control



Warning - High noise levels above 85dB(A) during operation. High levels of noise may cause hearing loss, wear suitable ear protection when equipment is in operation.

The output level of the E2x sounder can be set by adjusting the volume control potentiometer (see Fig 4 for AC & Fig 6 for DC). For maximum output, set the potentiometer fully clockwise.

### 11.3 Beacon Flash Rate Settings



Warning – high-intensity light source. Avoid looking directly at the light source for extended periods of time.

The E2xBL2 beacons can produce different flash patterns as shown in Table 1. The flash patterns are selected by operation of the flash setting DIP switch on the PCB, Fig 10.

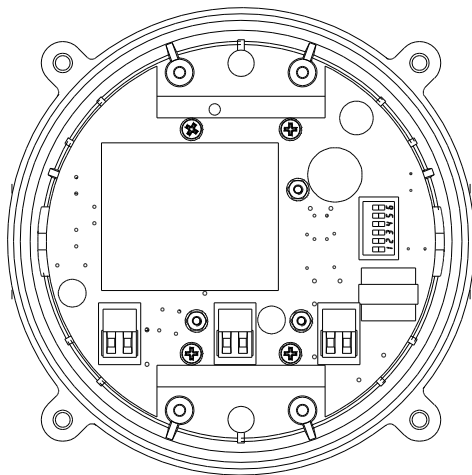


Fig. 10 DIP Switch Location

Switch Setting (123456)	S1 Mode (DC & AC)	S2 Mode (DC Only)	S3 Mode (DC Only)
000000	Steady High Power	Flashing 1Hz	Flashing Triple Strike
000001	Steady Low Power	Flashing 1Hz	Flashing Triple Strike
100000	Flashing 1Hz	Flashing Double Strike	Flashing Triple Strike
101000	Flashing 1.5Hz	Flashing 2Hz	Flashing Double Strike
010000	Flashing 2Hz	Flashing Triple Strike	Flashing Triple Strike
110000	Flashing Double Strike	Steady High Power	Flashing Triple Strike
001000	Flashing Triple Strike	Flashing 2Hz	Flashing Double Strike

Table 1: Switch Positions for Flash Patterns



Fig. 11 Dip Switch

1=ON; 0=OFF

Example shown: 100000 = Flashing 1Hz (Default setting)

## 12) Interchangeable & Spare Parts



Warning – Hot surfaces. External surfaces and internal components may be hot after operation, take care when handling the equipment.

The Beacon lens cover is interchangeable, contact E2S Ltd for a replacement lens cover available in various colours.

To change the lens cover, unscrew the 4-off M5 Cap screws, spring and flat washers using a 4mm Allen Key. Remove the wire guard and replace the old cover with the new cover.

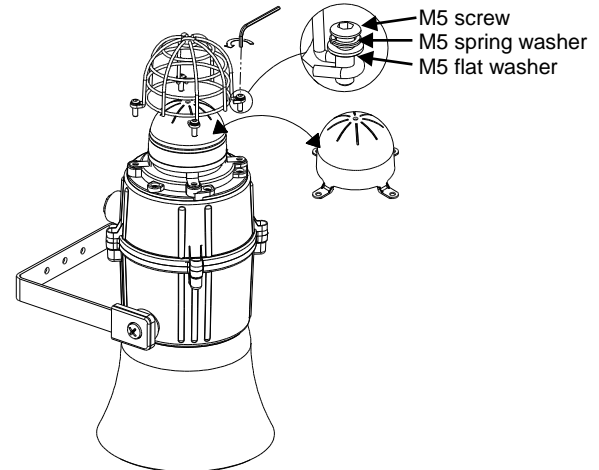


Fig. 10 Replacement of beacon lens cover

Fit the wire guard back onto the housing, over the new lens cover aligning the fixing holes of the guard, lens cover and housing. Refit the fixings to hold into place, the fixings MUST be fitted in the order shown above.

## 13) Maintenance, Overhaul & Repair

Maintenance, repair and overhaul of the equipment should only be carried out by suitably qualified personnel in accordance with the current relevant standards:

EN60079-19	Explosive atmospheres - Equipment repair, overhaul and reclamation
IEC60079-19	
EN 60079-17	Explosive atmospheres - Electrical installations inspection and maintenance
IEC60079-17	

To avoid a possible ELECTROSTATIC CHARGE the unit must only be cleaned with a damp cloth.

Units must not be opened while an explosive atmosphere is present.

If opening the unit during maintenance operations a clean environment must be maintained and any dust layer removed prior to opening the unit.

## 14) Tone Table

Stage 1	Frequency Description	Switch						Stage 2	Stage 3
		1	2	3	4	5	6		
1	340Hz Continuous	0	0	0	0	0	0	Tone 2	Tone 5
2	800/1000Hz @ 0.25 sec Alternating	1	0	0	0	0	0	Tone 17	Tone 5
3	500/1200Hz @ 0.3Hz sec Slow Whoop	0	1	0	0	0	0	Tone 2	Tone 5
4	800/1000Hz @ 1Hz Sweeping	1	1	0	0	0	0	Tone 6	Tone 5
5	2400Hz Continuous	0	0	1	0	0	0	Tone 3	Tone 20
6	2400/2900Hz @ 7Hz Sweeping	1	0	1	0	0	0	Tone 7	Tone 5
7	2400/2900Hz @ 1Hz Sweeping	0	1	1	0	0	0	Tone 10	Tone 5
8	500/1200/500Hz @ 0.3Hz Sweeping	1	1	1	0	0	0	Tone 2	Tone 5
9	1200/500Hz @ 1Hz - DIN PFEER P.T.A.P.	0	0	0	1	0	0	Tone 15	Tone 2
10	2400/2900Hz @ 2Hz Alternating	1	0	0	1	0	0	Tone 7	Tone 5
11	1000Hz @ 1Hz Intermittent	0	1	0	1	0	0	Tone 2	Tone 5
12	800/1000Hz @ 0.875Hz Alternating	1	1	0	1	0	0	Tone 4	Tone 5
13	2400Hz @ 1Hz Intermittent	0	0	1	1	0	0	Tone 15	Tone 5
14	800Hz 0.25 sec on, 1 sec off Intermittent	1	0	1	1	0	0	Tone 4	Tone 5
15	800Hz Continuous	0	1	1	1	0	0	Tone 2	Tone 5
16	660Hz 150mS on, 150mS off Intermittent	1	1	1	1	0	0	Tone 18	Tone 5
17	544Hz (100mS)/440 Hz (400mS) - NF S 32-001	0	0	0	0	1	0	Tone 2	Tone 27
18	660Hz 1.8 sec on, 1.8 sec off Intermittent	1	0	0	0	1	0	Tone 2	Tone 5
19	1.4KHz - 1.6KHz 1s, 1.6KHz - 1.4 KHz 0.5s - NFC48-265	0	1	0	0	1	0	Tone 2	Tone 5
20	660Hz Continuous	1	1	0	0	1	0	Tone 2	Tone 5
21	554Hz/440Hz @ 1Hz Alternating	0	0	1	0	1	0	Tone 2	Tone 5
22	544Hz @ 0.875 sec Intermittent	1	0	1	0	1	0	Tone 2	Tone 5
23	800Hz @ 2Hz Intermittent	0	1	1	0	1	0	Tone 6	Tone 5
24	800/1000Hz @ 50Hz Sweeping	1	1	1	0	1	0	Tone 29	Tone 5
25	2400/2900Hz @ 50Hz Sweeping	0	0	0	1	1	0	Tone 29	Tone 5
26	Bell	1	0	0	1	1	0	Tone 2	Tone 15
27	554Hz Continuous	0	1	0	1	1	0	Tone 26	Tone 5
28	440Hz Continuous	1	1	0	1	1	0	Tone 2	Tone 5
29	800/1000Hz @ 7Hz Sweeping	0	0	1	1	1	0	Tone 7	Tone 5
30	300Hz Continuous	1	0	1	1	1	0	Tone 2	Tone 5
31	660/1200Hz @ 1Hz Sweeping	0	1	1	1	1	0	Tone 26	Tone 5
32	Two tone chime	1	1	1	1	1	0	Tone 26	Tone 15
33	745Hz @ 1Hz Intermittent	0	0	0	0	0	1	Tone 2	Tone 5
34	1000 & 2000Hz @ 0.5 sec Alternating - Signapore	1	0	0	0	0	1	Tone 38	Tone 45
35	420Hz @ 0.625 Sec Australian Alert	0	1	0	0	0	1	Tone 36	Tone 5
36	500-1200Hz 3.75 sec /0.25 sec Australian Evac.	1	1	0	0	0	1	Tone 35	Tone 5
37	1000Hz Continuous - PFEER Toxic Gas	0	0	1	0	0	1	Tone 9	Tone 45
38	2000Hz Continuous	1	0	1	0	0	1	Tone 34	Tone 45
39	800Hz 0.25 sec on, 1 sec off Intermittent	0	1	1	0	0	1	Tone 23	Tone 17
40	544Hz (100mS)/440Hz (400mS) - NF S 32-001	1	1	1	0	0	1	Tone 31	Tone 27
41	Motor Siren - slow rise to 1200Hz	0	0	0	1	0	1	Tone 2	Tone 5
42	Motor Siren - slow rise to 800Hz	1	0	0	1	0	1	Tone 2	Tone 5
43	1200Hz Continuous	0	1	0	1	0	1	Tone 2	Tone 5
44	Motor Siren - slow rise to 2400Hz	1	1	0	1	0	1	Tone 2	Tone 5
45	1KHz 1s on, 1s off Intermittent - PFEER Gen. Alarm	0	0	1	1	0	1	Tone 38	Tone 34

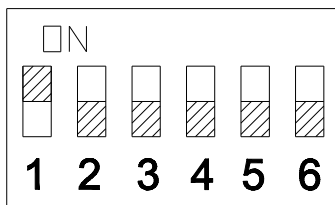


Fig. 9 Dip Switch

1=ON; 0=OFF

Example shown: 100000 = Tone 2 (Default setting)



# EU Declaration of Conformity



**Manufacturer:** European Safety Systems Ltd.  
Impress House, Mansell Road, Acton  
London, W3 7QH, United Kingdom

**Equipment Type:** E2xS1, E2xS2  
E2xB05, E2xB10, E2xBL2  
E2xC1X05, E2xC1LD2,  
E2xL15, E2xL25

---

## Directive 2014/34/EU: Equipment and Protective Systems for use in Potentially Explosive Atmospheres (ATEX)

Notified Body for EU type Examination (Module B):	UL International Demko A/S Notified Body No.: 0539 Borupvang 5A, 2750 Ballerup, Denmark
EU-type Examination Certificate (Module B):	DEMKO 06 ATEX 0421554X
Notified Body for Quality Assurance Notification / Conformity to EU-type based on quality assurance of the production process (Module D):	Sira Certification Service Notified Body No.: 0518 Rake Lane, Eccleston, Chester CH4 9JN, UK
Quality Assurance Notification (Module D):	SIRA 05 ATEX M342
Provisions fulfilled by the equipment:	II 3G Ex na IIC T4/T3/T2 Gc II 3D Ex tc IIIC 85°C...120°C Dc IP6X Dust Protection to EN60079-0 / EN60079-31
Standards applied:	EN60079-0:2012 + A11:2013 EN60079-15:2010 EN60079-31:2014

## Directive 2014/30/EU: Electromagnetic Compatibility Directive (EMC)

Standards applied:	EN 61000-6-1:2007 EN 61000-6-2:2005 EN 61000-6-3:2007 / A1:2011 / AC: 2012 EN 61000-6-4:2007 / A1: 2011
--------------------	--

## Directive 2011/65/EU: Restriction of the use of certain hazardous substances in electrical and electronic equipment (RoHS)

The product and all the components contained within it are in accordance with the restriction of the use of hazardous substances in electrical and electronic equipment.

## Regulation (EC) 1907/2006: Registration, Evaluation, Authorisation and Restriction of Chemicals (REACH)

The product and all the components contained within it are free from substances of very high concern.

## Other Standards and Regulations

EN 60529:1992+A2:2013 - Degrees of protection provided by enclosures (IP code) – enclosure rated IP66/IP67

---

On behalf of European Safety Systems Ltd., I declare that, on the date the equipment accompanied by this declaration is placed on the market, the equipment conforms with all technical and regulatory requirements of the above listed directives, regulations and standards.

This Declaration is issued under the sole responsibility of the manufacturer.

  
**Martin Streetz**  
Quality Assurance Manager

**Document No.:** DC-062\_Issue\_D  
**Date and Place of Issue:** London, 23/06/2017