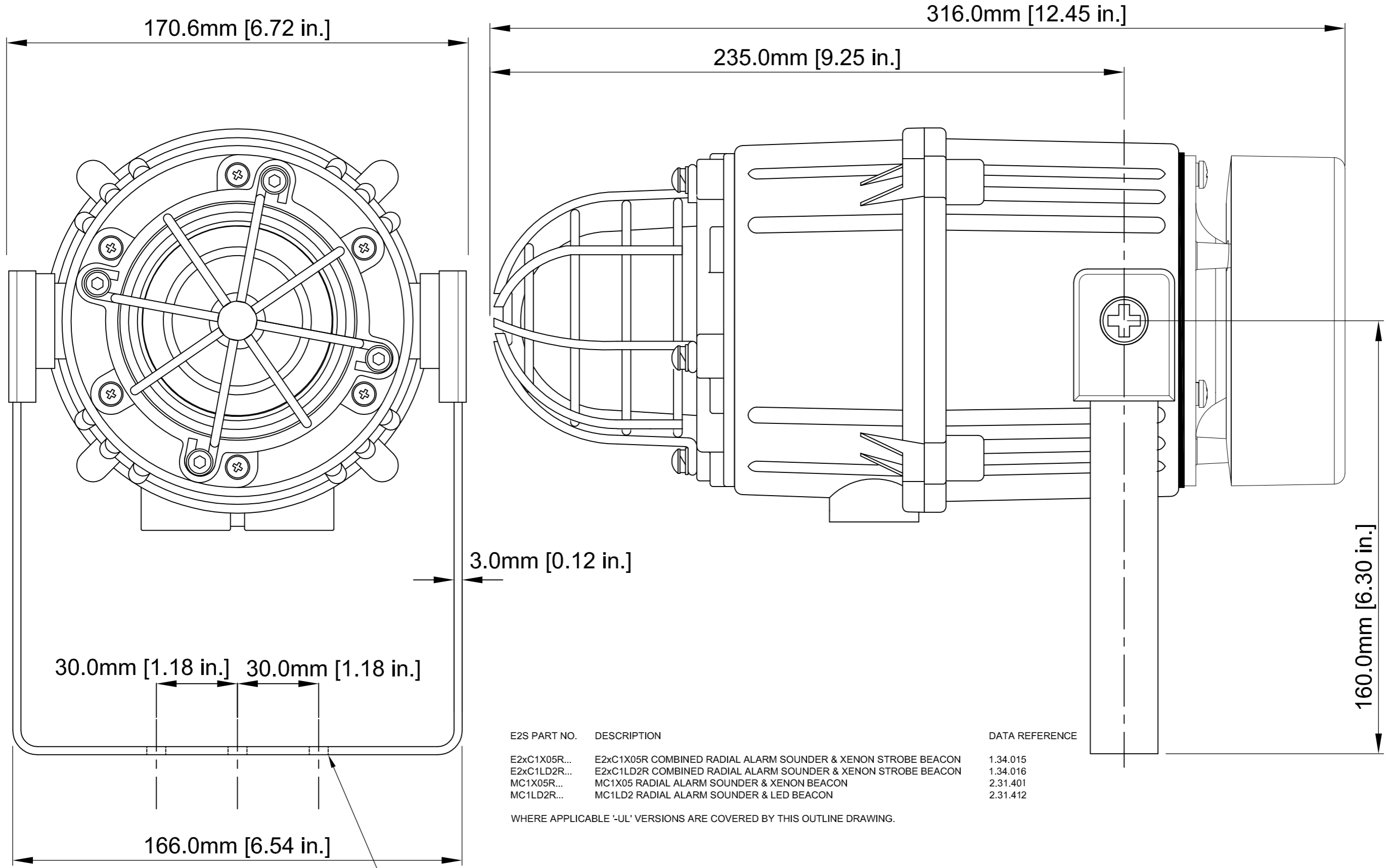


ISSUE	MOD No.	INITIAL/DATE
A		INTRODUCTION OF PART GU 28-08-09
B		MARINE PART CODES UPDATED RSR 14-06-17



E2S PART NO.	DESCRIPTION	DATA REFERENCE
E2xC1X05R...	E2xC1X05R COMBINED RADIAL ALARM SOUNDER & XENON STROBE BEACON	1.34.015
E2xC1LD2R...	E2xC1LD2R COMBINED RADIAL ALARM SOUNDER & XENON STROBE BEACON	1.34.016
MC1X05R...	MC1X05 RADIAL ALARM SOUNDER & XENON BEACON	2.31.401
MC1LD2R...	MC1LD2 RADIAL ALARM SOUNDER & LED BEACON	2.31.412

WHERE APPLICABLE '-UL' VERSIONS ARE COVERED BY THIS OUTLINE DRAWING.

DRAWING TO BS8888:2000 GEOMETRIC TOLERANCES TO ISO1101:1983 LINEAR DIMENSIONAL TOLS ANGULAR DIMENSIONAL TOLS	DRAWN R. S. RAIT	DATE 13-06-17	SURFACE FINISH	WEIGHT (Kg)	THIS DRAWING AND ANY INFORMATION OR DESCRIPTIVE MATTER THEREIN IS COMMUNICATED IN CONFIDENCE AND IS THE COPYRIGHT PROPERTY OF EUROPEAN SAFETY SYSTEMS LTD. NEITHER THE WHOLE OR ANY EXTRACT MAY BE DISCLOSED, LOANED, COPIED OR USED FOR MANUFACTURING OR TENDERING PURPOSES WITHOUT THEIR WRITTEN CONSENT.	 EUROPEAN SAFETY SYSTEMS LTD IMPRESS HOUSE MANSELL ROAD ACTON LONDON W3 7QH WWW.E2S.COM	ALL DIMENSIONS IN MM IF IN DOUBT, ASK - DO NOT SCALE	 <b>A2</b>
	CHECKED B. ISARD	DATE 13-06-17	MATERIAL	TITLE <b>E2xCS112 COMBINED OUTLINE</b>				
	APPROVED R. POTTS	DATE 13-06-17	ALTERNATIVE MATERIAL	SCALE 1:1			SHEET 1 OF 1	