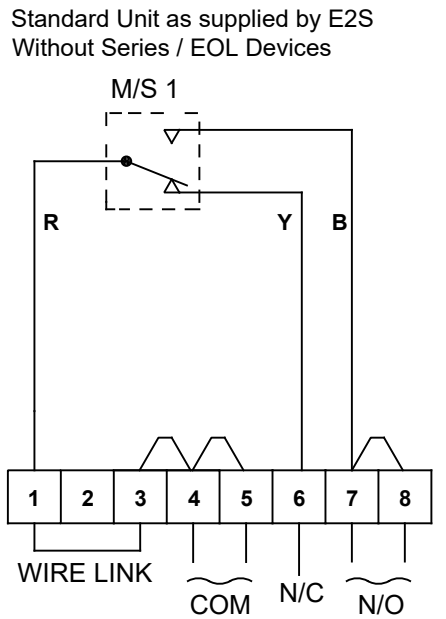
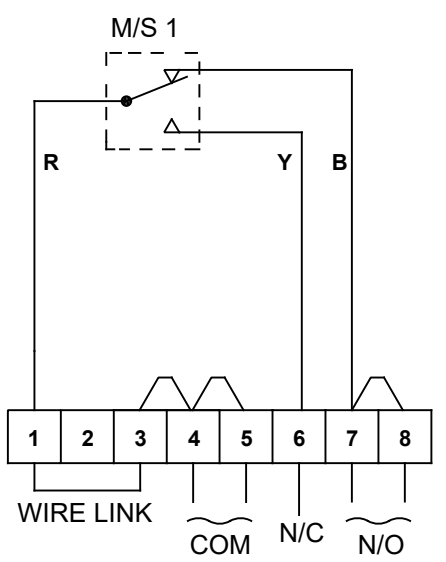


1	2	3	4	5	6	7	8	9	10	
<b>E2S PART NO.</b>	<b>DESCRIPTION</b>	<b>DATA REFERENCE</b>					<b>ISSUE</b>		<b>MOD No.</b>	<b>INITIAL/DATE</b>
GNEXP7-PB	GNEXP7 Ex d GRP CALL POINT PUSH BUTTON	1.24.180					1			Introduction RSR 06-03-2020
GNEXP7-PM	GNEXP7 Ex d GRP CALL POINT MOMENTARY PUSH BUTTON	1.24.170					2		ACN0076	New Style Wiring diagrams RSR 24-03-2020
GNEXP7-PT	GNEXP7 Ex d GRP CALL POINT PUSH BUTTON TOOL RESET	1.24.160					3			Additional Dual Switch DIN Wiring options added - DH 29-09-2020
GNEXP7 [ ] [S] [D]		SWITCH TYPE: [S] - Single Microswitch		TERMINAL TYPE [D] - DIN RAIL						

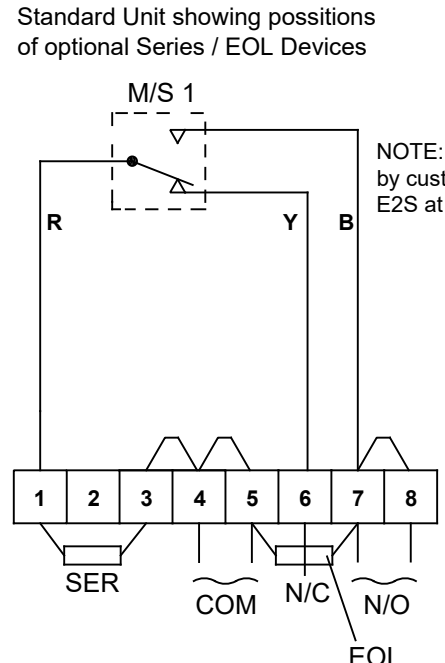
FOR PERMITTED MIN/MAX VALUES OF EOL & SERIES DEVICES, PLEASE REFER TO INSTRUCTIONS



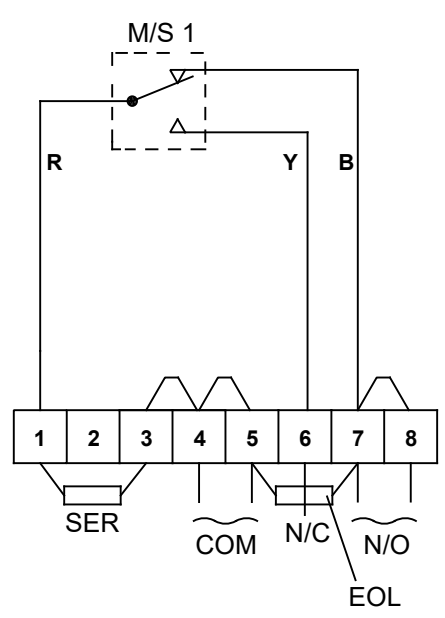
1A - Circuit as shown in Unoperated condition  
Terminals (4/5) & (7/8) open  
Terminals (4/5) & (6) closed



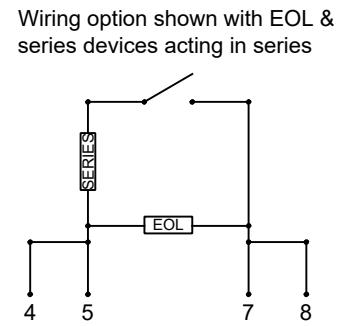
1B - Circuit as shown in Unoperated condition  
Terminals (4/5) & (7/8) closed  
Terminals (4/5) & (6) open



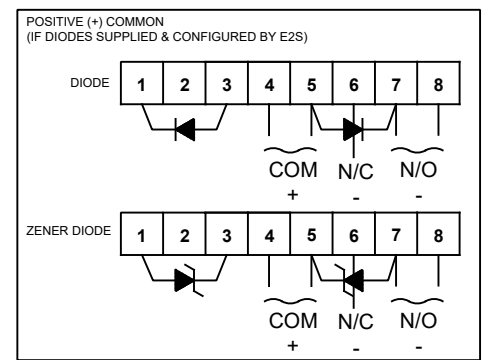
2A - Circuit as shown in Unoperated condition  
Terminals (4/5) & (7/8) open  
Terminals (4/5) & (6) closed



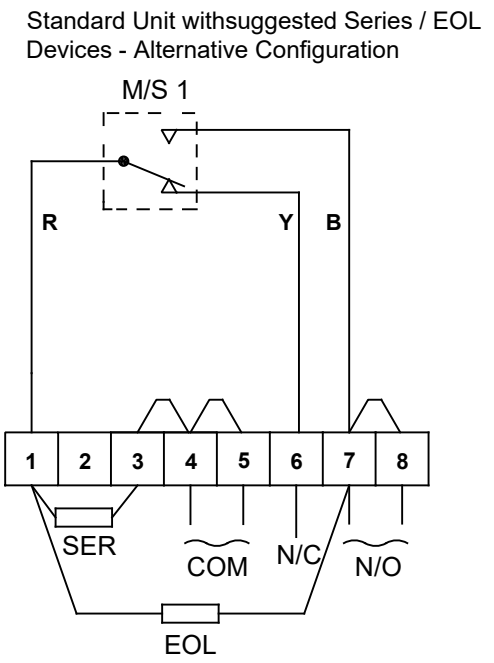
2B - Circuit as shown in Unoperated condition  
Terminals (4/5) & (7/8) open  
Terminals (4/5) & (6) closed



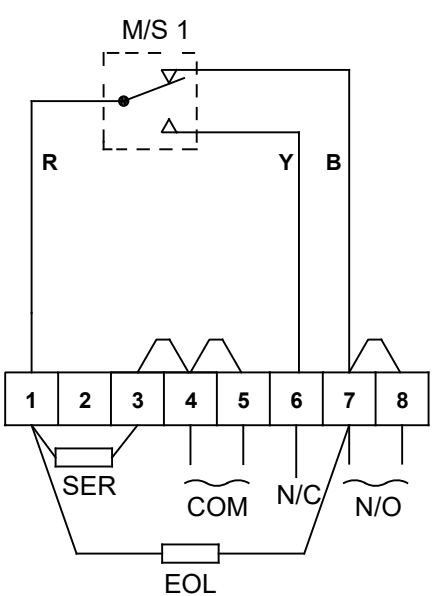
When fitting diodes or zener diodes, polarity across devices must be observed (Resistor polarity is unimportant)



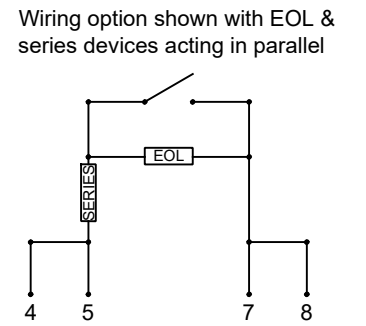
**KEY:**  
COM - Common  
N/C - Normally Closed (Contacts closed in unoperated state)  
N/O - Normally Open (Contacts open in unoperated state)



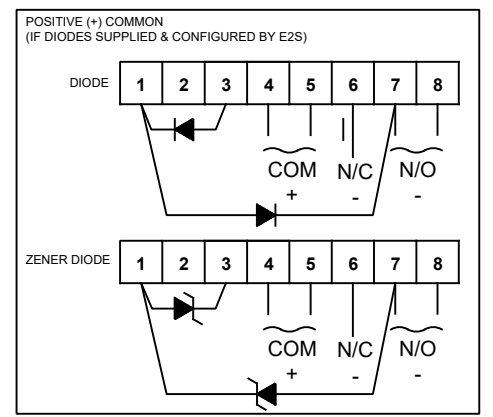
3A - Circuit as shown in Unoperated condition  
Terminals (4/5) & (7/8) open  
Terminals (4/5) & (6) closed



3B - Circuit as shown in Operated condition  
Terminals (4/5) & (7/8) closed  
Terminals (4/5) & (6) open



When fitting diodes or zener diodes, polarity across devices must be observed (Resistor polarity is unimportant)



DRAWING TO BS8888:2000  
GEOMETRIC TOLERANCES TO ISO1101:1983  
LINEAR DIMENSIONAL TOLS +/-0.35mm  
ANGULAR DIMENSIONAL TOLS +/-2 deg

DRAWN	R.S.RAIT	DATE	05-03-2020
CHECKED	B.ISARD	DATE	05-03-2020
APPROVED	R.N.POTTS	DATE	05-03-2020

SURFACE FINISH	WEIGHT (Kg)
MATERIAL	
ALTERNATIVE MATERIAL	

THIS DRAWING AND ANY INFORMATION OR DESCRIPTIVE MATTER THEREIN IS COMMUNICATED IN CONFIDENCE AND IS THE COPYRIGHT PROPERTY OF EUROPEAN SAFETY SYSTEMS LTD. NEITHER THE WHOLE OR ANY EXTRACT MAY BE DISCLOSED, LOANED, COPIED OR USED FOR MANUFACTURING OR TENDERING PURPOSES WITHOUT THEIR WRITTEN CONSENT.

© EUROPEAN SAFETY SYSTEMS LTD.  
AS PER LATEST DATE OF ISSUE SHOWN ABOVE

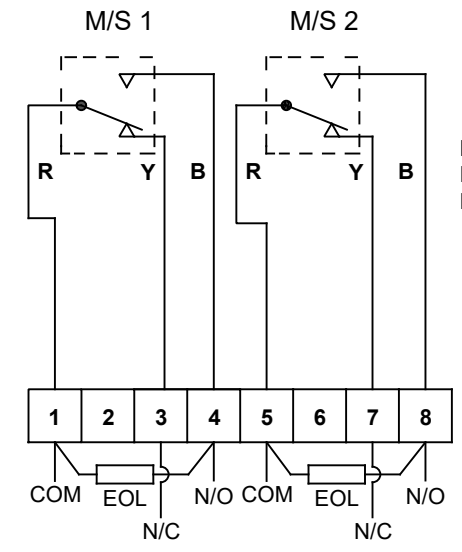
**e2s** warning signals  
EUROPEAN SAFETY SYSTEMS LTD  
IMPRESS HOUSE  
MANSELL ROAD  
ACTON  
LONDON W3 7QH  
WWW.E2S.COM

ALL DIMENSIONS IN MM IF IN DOUBT, ASK - DO NOT SCALE		A3	
TITLE GNEXP7 CALL POINT WIRING / CIRCUIT OPERATION DIAGRAM			
SCALE NTS	SHEET 1 OF 4	DRAWING NUMBER D202-06-211	

ISSUE	MOD No.	INITIAL/DATE
1		Introduction RSR 06-03-2020
2	ACN0076	New Style Wiring diagrams RSR 24-03-2020
3		Additional Dual Switch DIN Wiring options added - DH 29-09-2020

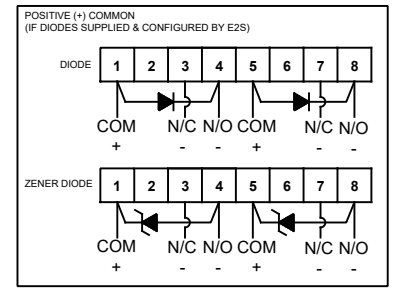
GNEXP7 [ ] [D] [D] SWITCH TYPE: [D] - Double Microswitch TERMINAL TYPE [D] - DIN RAIL

Standard Unit showing positions of optional EOL Devices



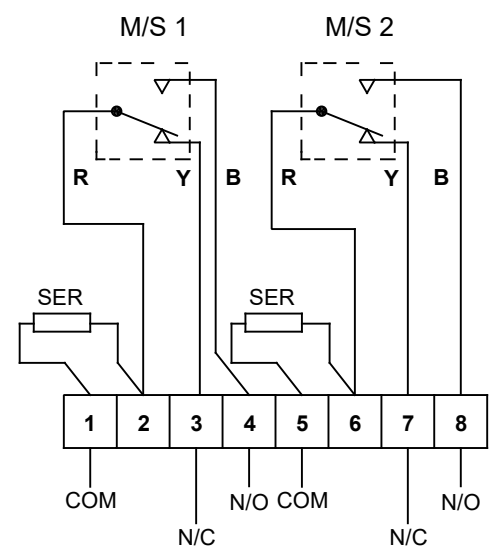
NOTE: These can be fitted either by customer or pre-installed by E2S at point of order.

When fitting diodes or zener diodes, polarity across devices must be observed (Resistor polarity is unimportant)

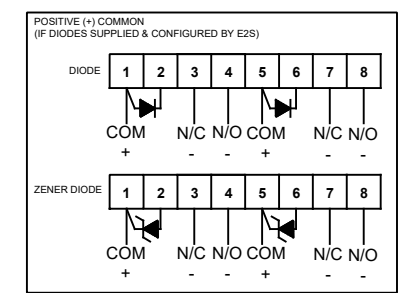


4A - Circuit as shown in Unoperated condition  
Terminals (1) & (4) M/S 1 and (5) & (8) M/S 2 open  
Terminals (1) & (3) M/S 1 and (5) & (7) M/S 2 closed

Standard Unit showing positions of optional Series Devices

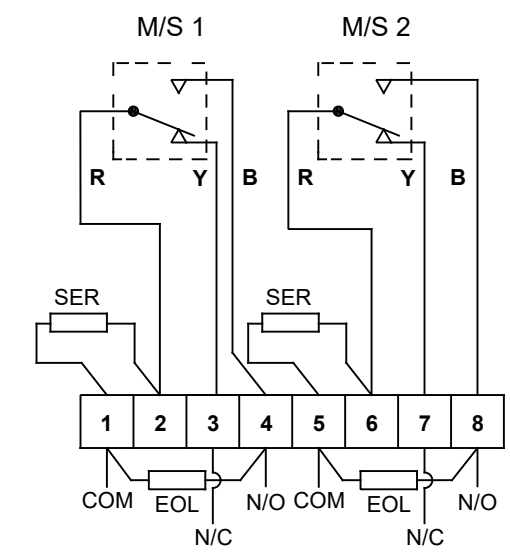


When fitting diodes or zener diodes, polarity across devices must be observed (Resistor polarity is unimportant)



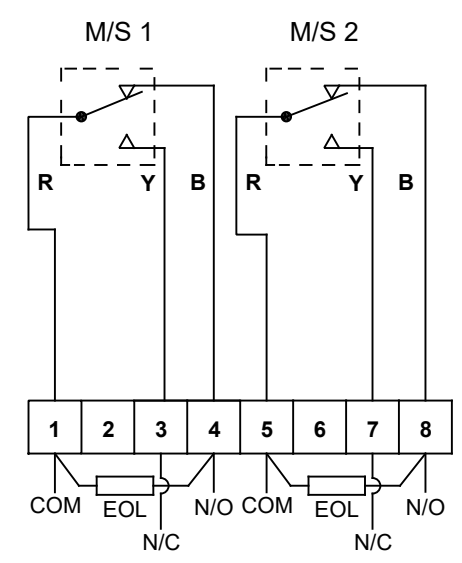
4A - Circuit as shown in Unoperated condition  
Terminals (1) & (4) M/S 1 and (5) & (8) M/S 2 open  
Terminals (1) & (3) M/S 1 and (5) & (7) M/S 2 closed

Standard Unit showing positions of optional Series and EOL Devices

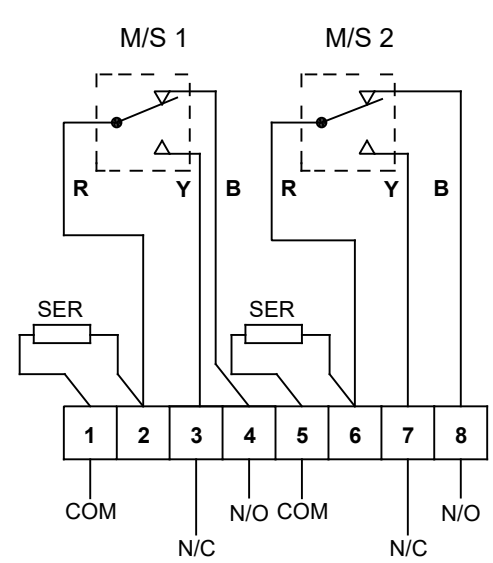


4A - Circuit as shown in Unoperated condition  
Terminals (1) & (4) M/S 1 and (5) & (8) M/S 2 open  
Terminals (1) & (3) M/S 1 and (5) & (7) M/S 2 closed

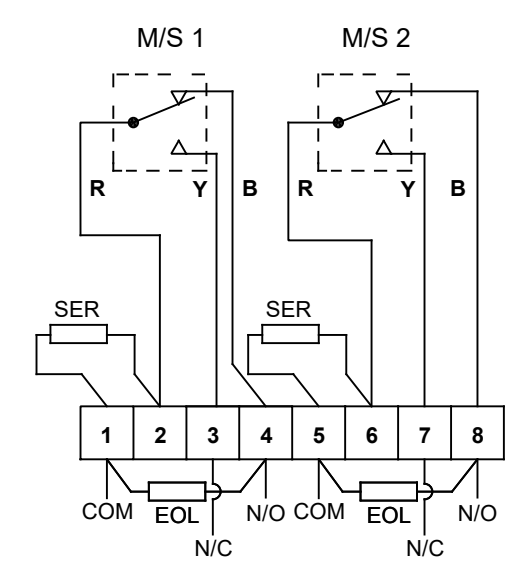
FOR PERMITTED MIN/MAX VALUES OF EOL & SERIES DEVICES, PLEASE REFER TO INSTRUCTIONS



4B - Circuit as shown in Operated condition  
Terminals (1) & (4) M/S 1 and (5) & (8) M/S 2 closed  
Terminals (1) & (3) M/S 1 and (5) & (7) M/S 2 open



4B - Circuit as shown in Operated condition  
Terminals (1) & (4) M/S 1 and (5) & (8) M/S 2 closed  
Terminals (1) & (3) M/S 1 and (5) & (7) M/S 2 open



4B - Circuit as shown in Operated condition  
Terminals (1) & (4) M/S 1 and (5) & (8) M/S 2 closed  
Terminals (1) & (3) M/S 1 and (5) & (7) M/S 2 open

DRAWING TO BS8888:2000  
GEOMETRIC TOLERANCES TO ISO1101:1983  
LINEAR DIMENSIONAL TOLS +/-0.35mm  
ANGULAR DIMENSIONAL TOLS +/-2 deg

STANDARDS  
GNEXP7

DRAWN	DATE
R.S.RAIT	05-03-2020
CHECKED	DATE
B.ISARD	05-03-2020
APPROVED	DATE
R.N.POTTS	05-03-2020

SURFACE FINISH	WEIGHT (Kg)
MATERIAL	
ALTERNATIVE MATERIAL	

THIS DRAWING AND ANY INFORMATION OR DESCRIPTIVE MATTER THEREIN IS COMMUNICATED IN CONFIDENCE AND IS THE COPYRIGHT PROPERTY OF EUROPEAN SAFETY SYSTEMS LTD. NEITHER THE WHOLE OR ANY EXTRACT MAY BE DISCLOSED, LOANED, COPIED OR USED FOR MANUFACTURING OR TENDERING PURPOSES WITHOUT THEIR WRITTEN CONSENT.

© EUROPEAN SAFETY SYSTEMS LTD.  
AS PER LATEST DATE OF ISSUE SHOWN ABOVE

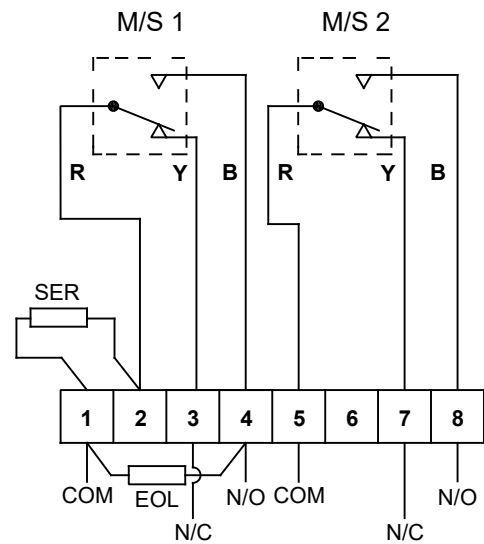
EUROPEAN SAFETY SYSTEMS LTD  
IMPRESS HOUSE  
MANSELL ROAD  
ACTON  
LONDON W3 7QH  
WWW.E2S.COM

ALL DIMENSIONS IN MM IF IN DOUBT, ASK - DO NOT SCALE			A3
TITLE GNEXP7 CALL POINT WIRING / CIRCUIT OPERATION DIAGRAM			
SCALE NTS	SHEET 2 OF 4	DRAWING NUMBER D202-06-211	

ISSUE	MOD No.	INITIAL/DATE
1		Introduction RSR 06-03-2020
2	ACN0076	New Style Wiring diagrams RSR 24-03-2020
3		Additional Dual Switch DIN Wiring options added - DH 29-09-2020

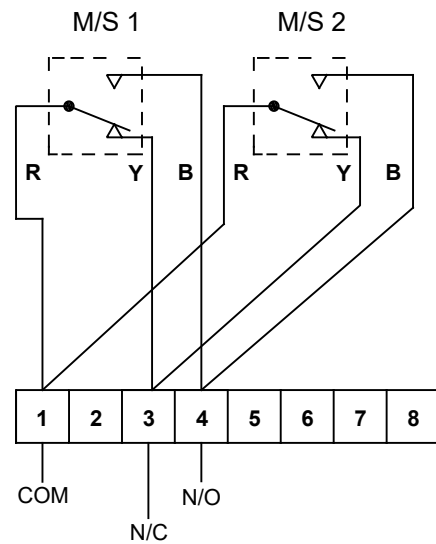
GNExCP7 [ ] [D] [D] ...[W1] SWITCH TYPE: [D] - Double Microswitch TERMINAL TYPE [D] - DIN RAIL VERSION [W1] - Special Wiring

Special Wiring  
Option A - Series & EOL on M/S 1



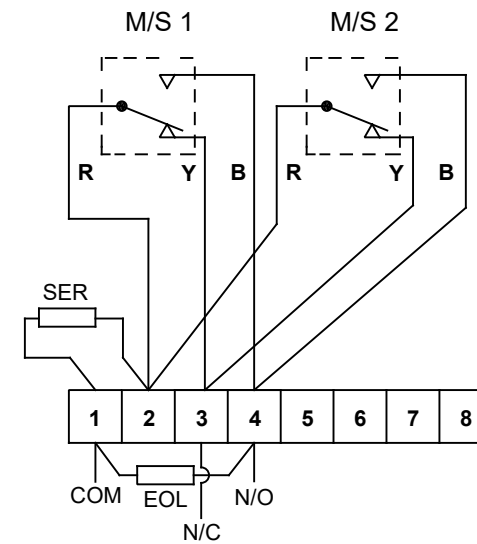
4A - Circuit as shown in Unoperated condition  
Terminals (1) & (4) M/S 1 and (5) & (8) M/S 2 open  
Terminals (1) & (3) M/S 1 and (5) & (7) M/S 2 closed

Special Wiring  
Option B - M/S 1 and M/S 2 connected



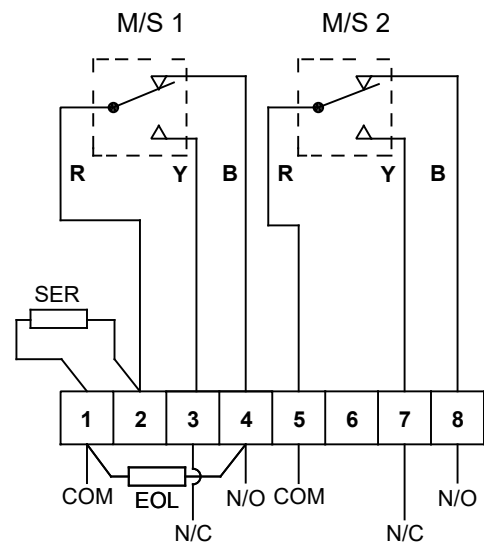
4A - Circuit as shown in Unoperated condition  
Terminals (1) & (4) M/S 1 and M/S 2 open  
Terminals (1) & (3) M/S 1 and M/S 2 closed

Special Wiring  
Option C - Series & EOL with M/S 1 and M/S 2 connected

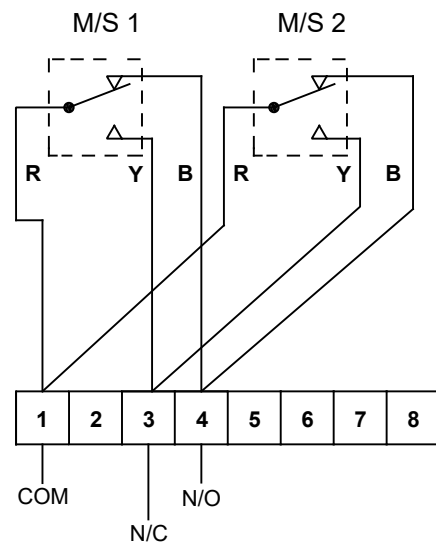


4A - Circuit as shown in Unoperated condition  
Terminals (1) & (4) M/S 1 and M/S 2 open  
Terminals (1) & (3) M/S 1 and M/S 2 closed

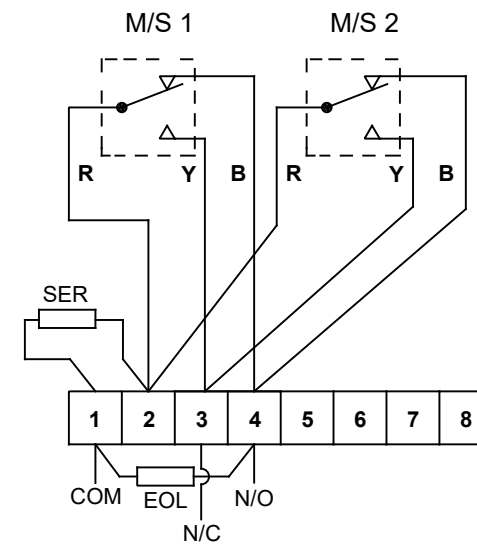
Other wiring configurations are available pre-configured  
Contact E2S sales for special wiring requests



4B - Circuit as shown in Operated condition  
Terminals (1) & (4) M/S 1 and (5) & (8) M/S 2 closed  
Terminals (1) & (3) M/S 1 and (5) & (7) M/S 2 open



4B - Circuit as shown in Operated condition  
Terminals (1) & (4) M/S 1 and M/S 2 closed  
Terminals (1) & (3) M/S 1 and M/S 2 open



4B - Circuit as shown in Operated condition  
Terminals (1) & (4) M/S 1 and M/S 2 closed  
Terminals (1) & (3) M/S 1 and M/S 2 open

DRAWING TO BS8888:2000  
GEOMETRIC TOLERANCES TO ISO1101:1983  
LINEAR DIMENSIONAL TOLS +/-0.35mm  
ANGULAR DIMENSIONAL TOLS +/-2 deg

DRAWN	DATE
R.S.RAIT	05-03-2020
CHECKED	DATE
B.ISARD	05-03-2020
APPROVED	DATE
R.N.POTTS	05-03-2020

STANDARDS

GNExCP7

SURFACE FINISH	WEIGHT (Kg)
MATERIAL	
ALTERNATIVE MATERIAL	

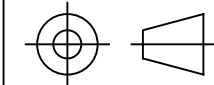
THIS DRAWING AND ANY INFORMATION OR DESCRIPTIVE MATTER THEREIN IS COMMUNICATED IN CONFIDENCE AND IS THE COPYRIGHT PROPERTY OF EUROPEAN SAFETY SYSTEMS LTD. NEITHER THE WHOLE OR ANY EXTRACT MAY BE DISCLOSED, LOANED, COPIED OR USED FOR MANUFACTURING OR TENDERING PURPOSES WITHOUT THEIR WRITTEN CONSENT.

© EUROPEAN SAFETY SYSTEMS LTD.  
AS PER LATEST DATE OF ISSUE SHOWN ABOVE



EUROPEAN SAFETY SYSTEMS LTD  
IMPRESS HOUSE  
MANSELL ROAD  
ACTON  
LONDON W3 7QH  
WWW.E2S.COM

ALL DIMENSIONS IN MM  
IF IN DOUBT, ASK -  
DO NOT SCALE



A3

TITLE  
GNExCP7 CALL POINT  
WIRING / CIRCUIT OPERATION DIAGRAM

SCALE	SHEET	DRAWING NUMBER
NTS	3 OF 4	D202-06-211

GNEXP7 [ ] [S] [P]  
GNEXP7 [ ] [D] [P]

SWITCH TYPE: [S] - Single Microswitch  
SWITCH TYPE: [D] - Double Microswitch

TERMINAL TYPE [P] - PCB  
TERMINAL TYPE [P] - PCB

FOR PERMITTED MIN/MAX  
VALUES OF EOL & SERIES  
DEVICES, PLEASE REFER TO  
INSTRUCTIONS

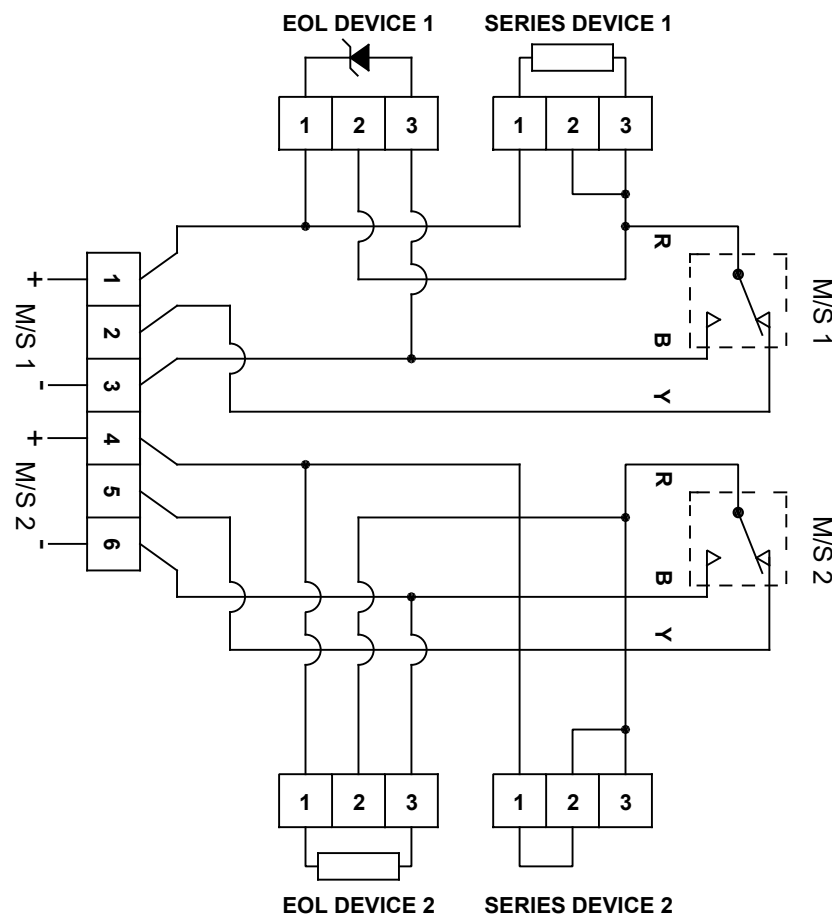
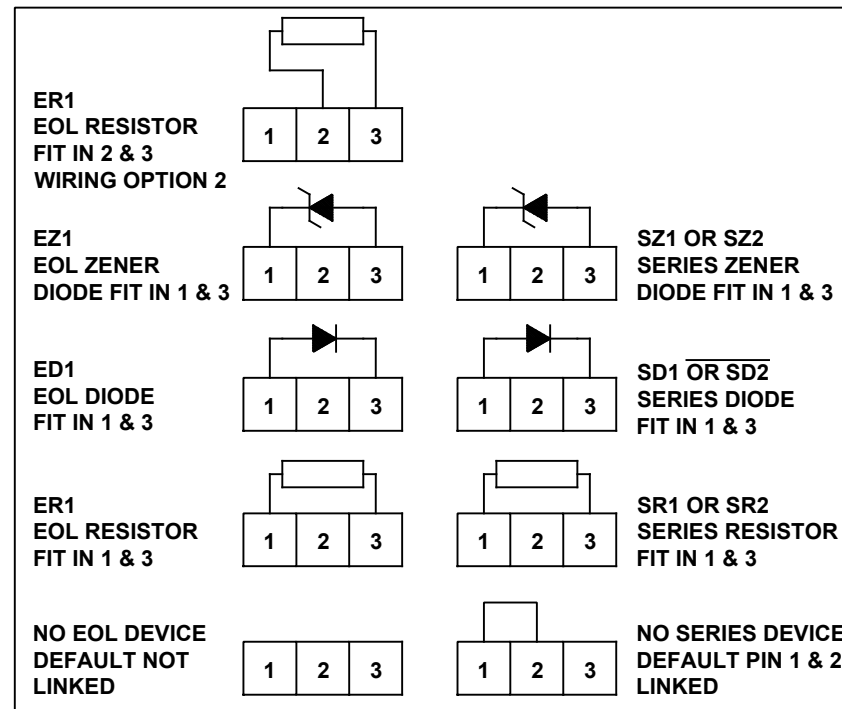
Optional Single or Double Microswitch

Circuit shown with Double Microswitch, Unit un-operated : GNEXP7 PCB Version

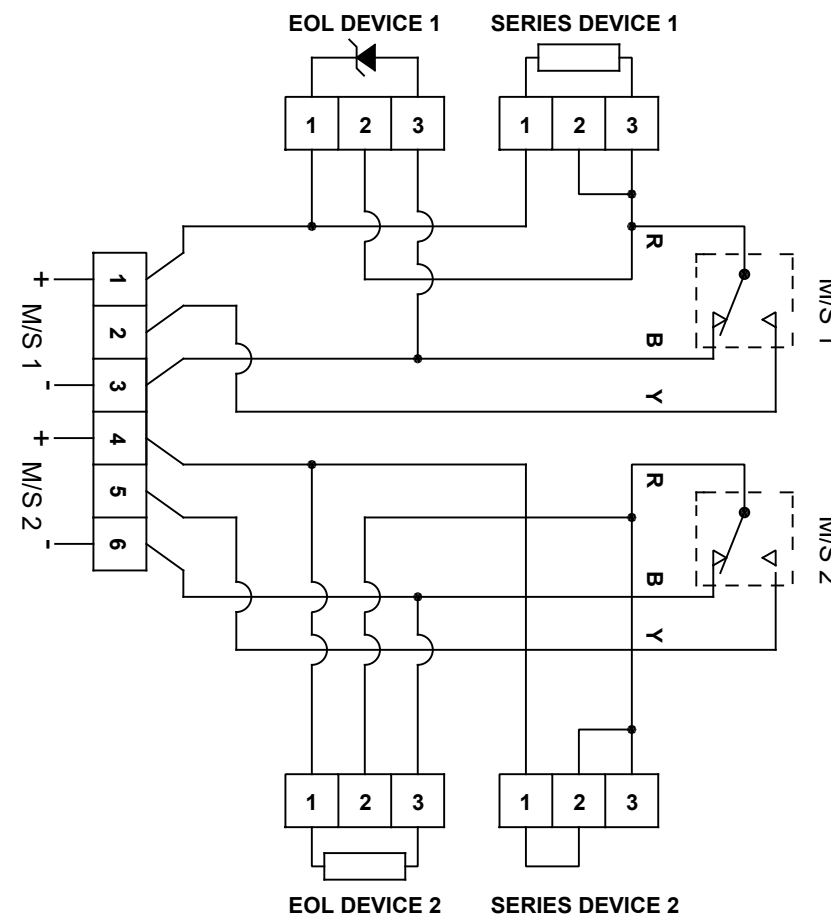
Devices selected only as example:

On M/S 1: Series resistor and EOL Zener diode

On M/S 2: EOL resistor with no series device



5A - Circuit as shown in Unoperated condition  
Terminals +(1) & -(3) M/S 1 and +(4) & -(6) M/S 2 open  
Terminals +(1) & (2) M/S 1 and +(4) & (5) M/S 2 closed



5B - Circuit as shown in Operated condition  
Terminals +(1) & (2) M/S 1 and +(4) & (5) M/S 2 open  
Terminals +(1) & -(3) M/S 1 and +(4) & -(6) M/S 2 closed

ISSUE	MOD No.	INITIAL/DATE
1		Introduction RSR 06-03-2020
2	ACN0076	New Style Wiring diagrams RSR 24-03-2020
3		Additional Dual Switch DIN Wiring options added - DH 29-09-2020

DRAWING TO BS8888:2000  
GEOMETRIC TOLERANCES TO ISO1101:1983  
LINEAR DIMENSIONAL TOLS +/-0.35mm  
ANGULAR DIMENSIONAL TOLS +/-2 deg

DRAWN	R.S.RAIT	DATE	05-03-2020
CHECKED	B.ISARD	DATE	05-03-2020
APPROVED	R.N.POTTS	DATE	05-03-2020

SURFACE FINISH	WEIGHT (Kg)
MATERIAL	
ALTERNATIVE MATERIAL	

THIS DRAWING AND ANY INFORMATION OR DESCRIPTIVE  
MATTER THEREIN IS COMMUNICATED IN CONFIDENCE AND IS  
THE COPYRIGHT PROPERTY OF EUROPEAN SAFETY SYSTEMS  
LTD. NEITHER THE WHOLE OR ANY EXTRACT MAY BE  
DISCLOSED, LOANED, COPIED OR USED FOR MANUFACTURING  
OR TENDERING PURPOSES WITHOUT THEIR WRITTEN  
CONSENT.

© EUROPEAN SAFETY SYSTEMS LTD.  
AS PER LATEST DATE OF ISSUE SHOWN ABOVE

EUROPEAN SAFETY SYSTEMS LTD  
IMPRESS HOUSE  
MANSELL ROAD  
ACTON  
LONDON W3 7QH  
WWW.E2S.COM

ALL DIMENSIONS IN MM IF IN DOUBT, ASK - DO NOT SCALE				A3
TITLE GNEXP7 CALL POINT WIRING / CIRCUIT OPERATION DIAGRAM				
SCALE NTS	SHEET 4 OF 4	DRAWING NUMBER D202-06-211		