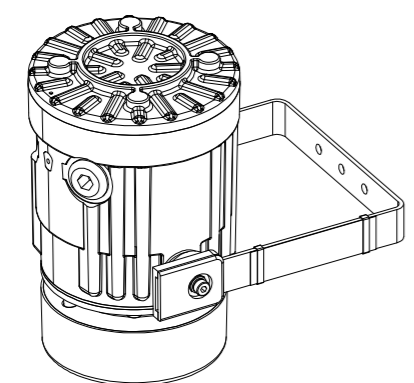
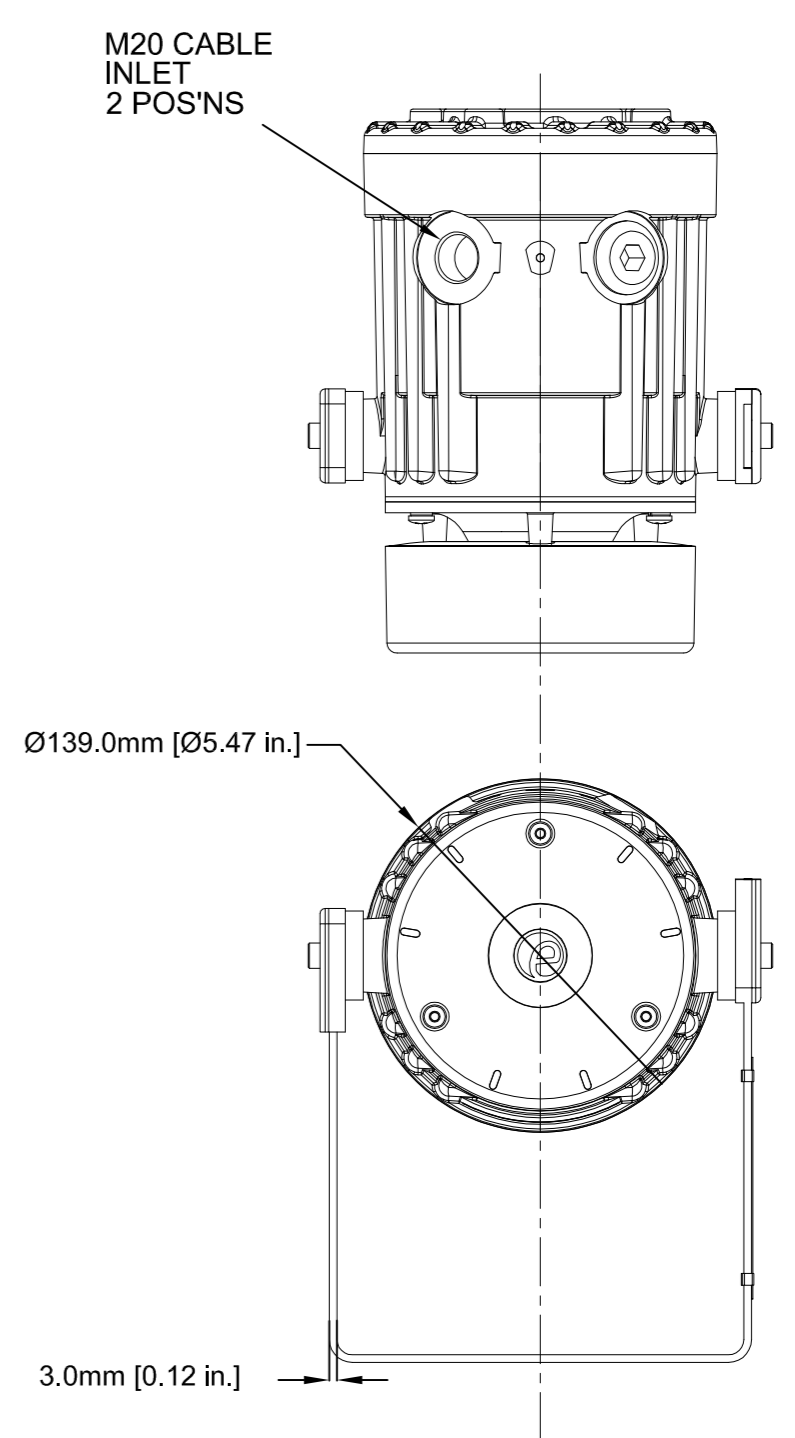
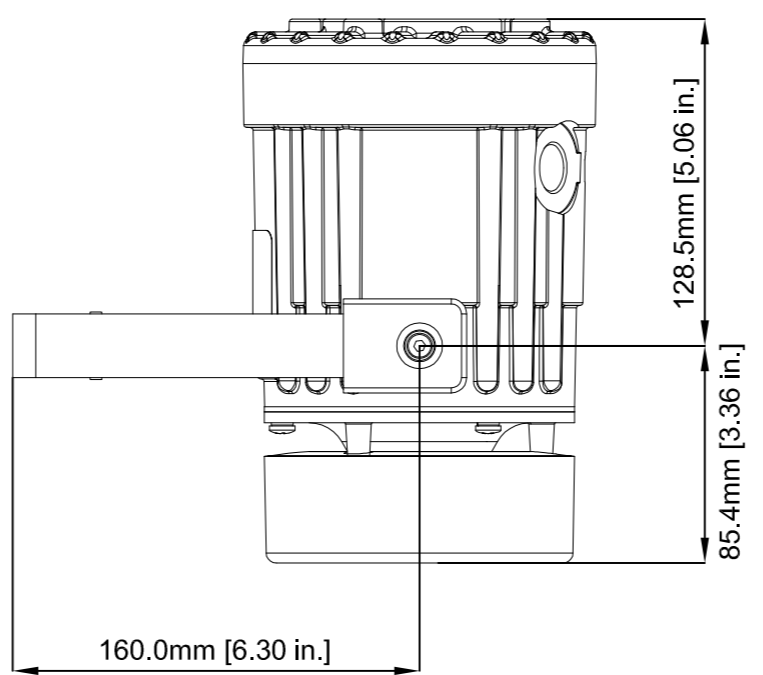
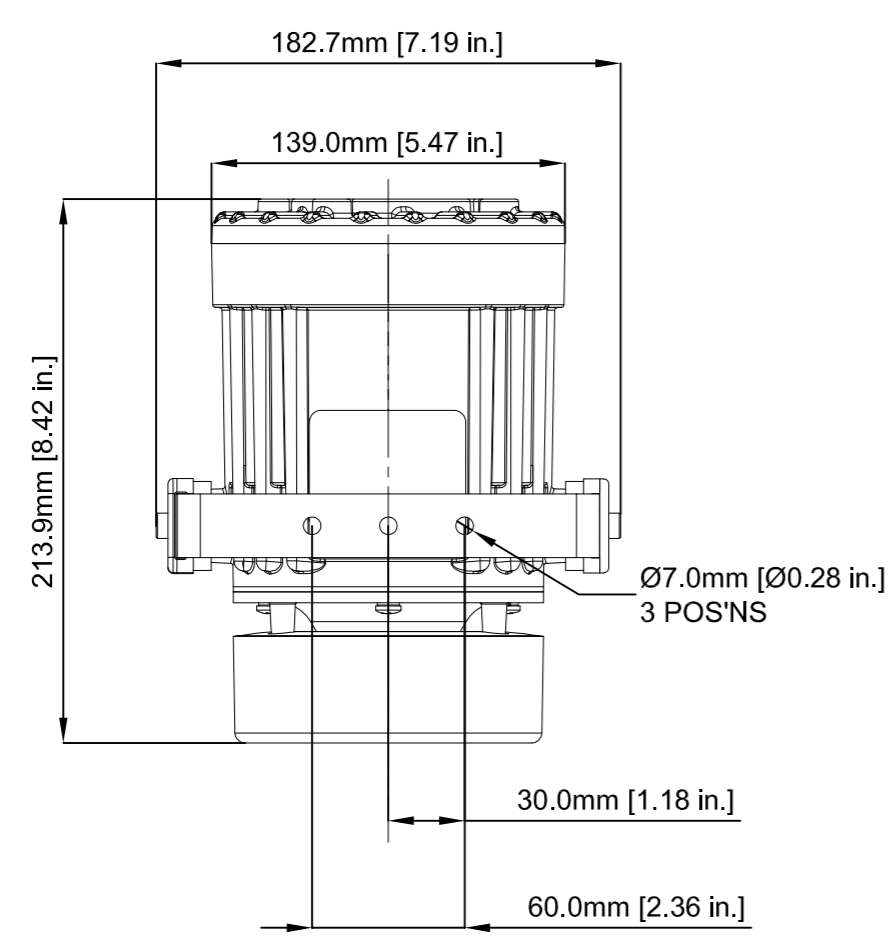


8	9	10
ISSUE	MOD No.	REASON - INITIAL - DATE
A		Introduction - R.S.R - 07:06:13



E2S PART NO.	DESCRIPTION	DATA REFERENCE
GNExS1...-R	GNExS1-R ALARM SOUNDER/HORN	1.22.030

DRAWING TO BS8888:2000 GEOMETRIC TOLERANCES TO ISO1101:1983 LINEAR DIMENSIONAL TOLS ANGULAR DIMENSIONAL TOLS	DRAWN	DATE
	R.S.RAIT	07:06:13
	CHECKED	DATE
STANDARDS	R.N.POTTS	07:06:13
	APPROVED	DATE
GNEx	R.N.POTTS	16:06:13

SURFACE FINISH	WEIGHT (Kg)
FINISH	
MATERIAL	
ALTERNATIVE MATERIAL	

THIS DRAWING AND ANY INFORMATION OR DESCRIPTIVE MATTER THEREIN IS COMMUNICATED IN CONFIDENCE AND IS THE COPYRIGHT PROPERTY OF EUROPEAN SAFETY SYSTEMS LTD. NEITHER THE WHOLE OR ANY EXTRACT MAY BE DISCLOSED, LOANED, COPIED OR USED FOR MANUFACTURING OR TENDERING PURPOSES WITHOUT THEIR WRITTEN CONSENT.

EUROPEAN SAFETY SYSTEMS LTD.
AS PER LATEST DATE OF ISSUE SHOWN ABOVE

e2s
warning signals

EUROPEAN SAFETY SYSTEMS LTD
IMPRESS HOUSE
MANSELL ROAD
ACTON
LONDON W3 7QH
WWW.E2S.COM

ALL DIMENSIONS IN MM & [INCHES] IF IN DOUBT, ASK - DO NOT SCALE			A3
TITLE GNExS1-R & GNExL1-R OUTLINE			
SCALE 1:1	SHEET 1 OF 1	DRAWING NUMBER SK0256	