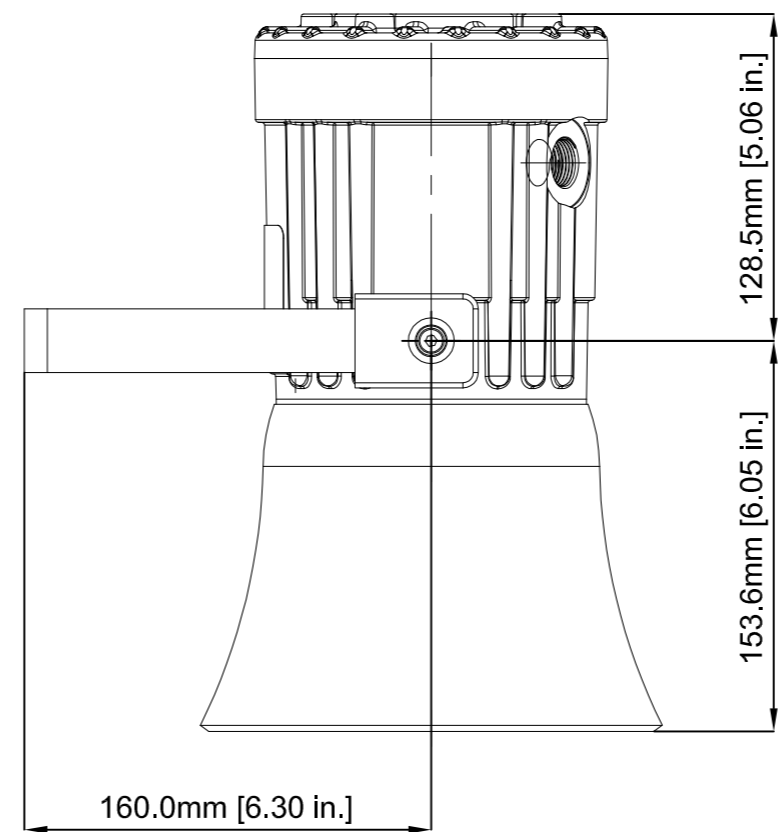
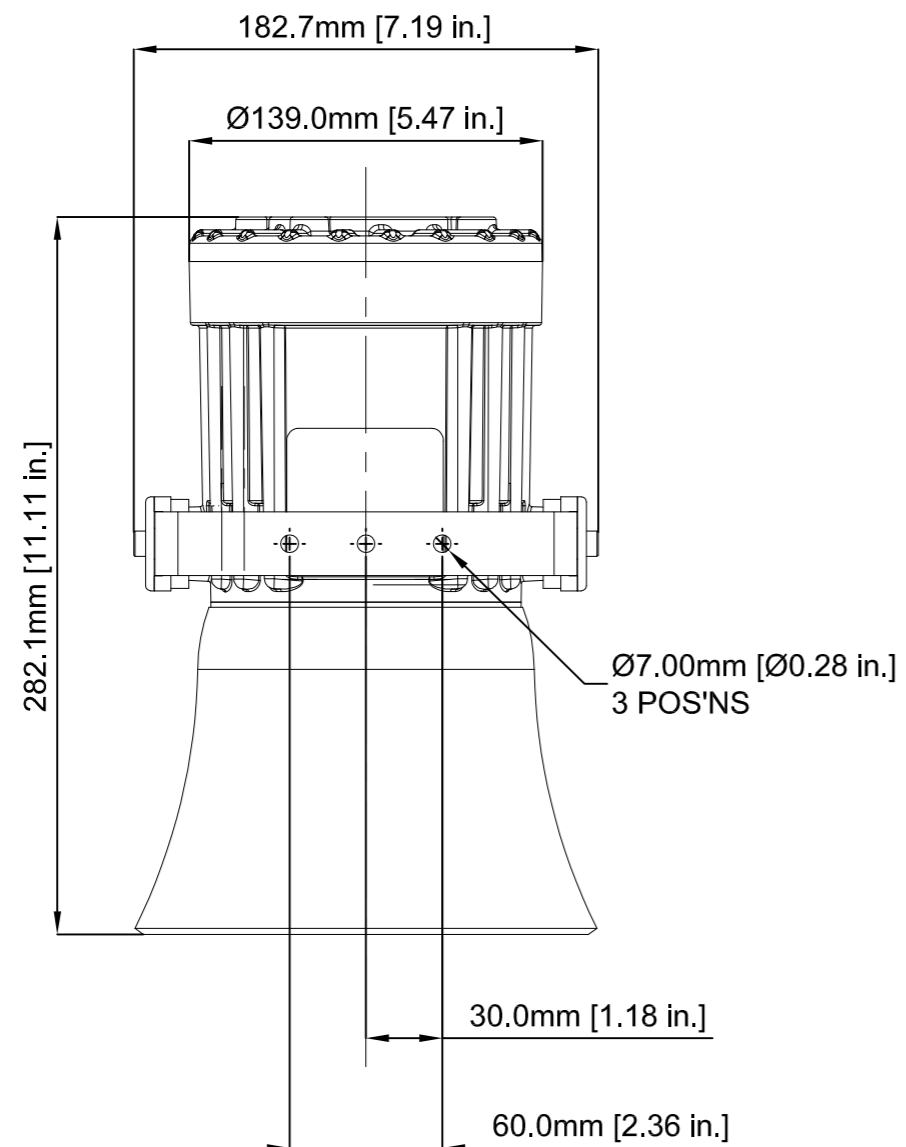
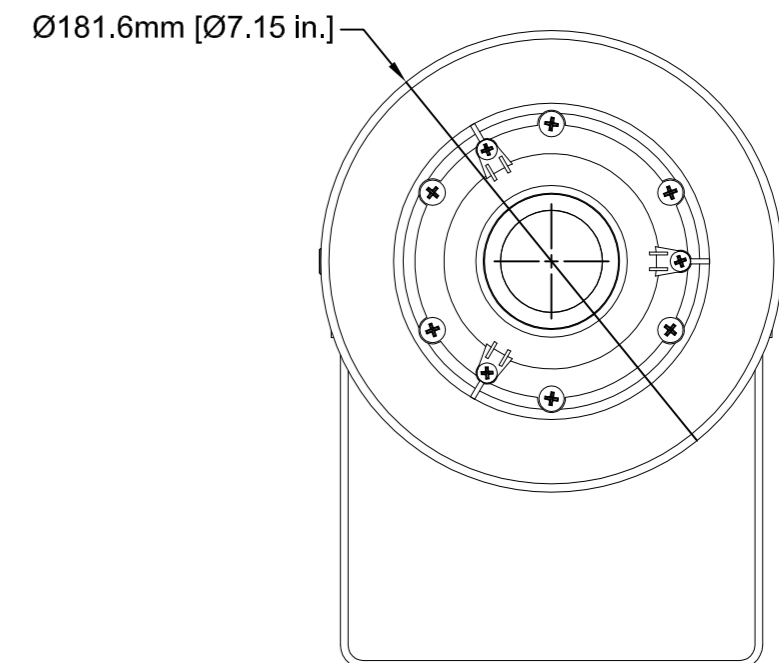
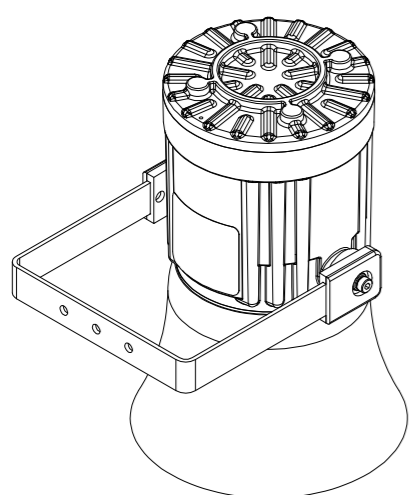
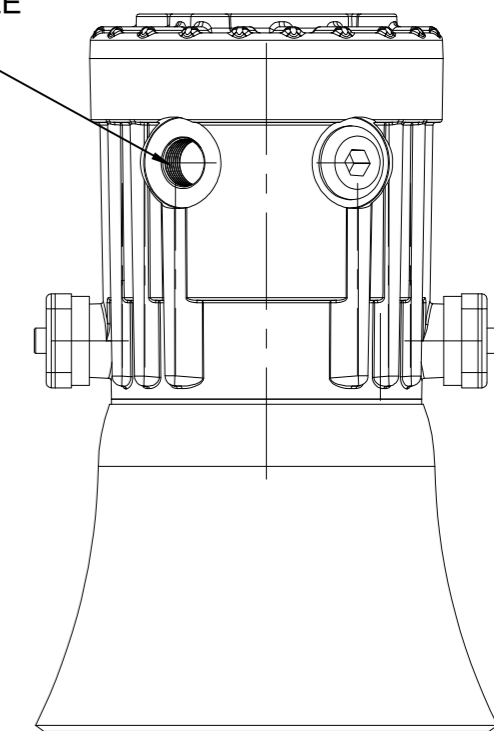


8	9	10
ISSUE	MOD No.	REASON - INITIAL - DATE
A		Introduction - S.T.C - 16:04:2012
B		Dual Dimensions - R.S.R - 07:06:2013



M20 CABLE INLET
2 POS'NS



E2S PART NO.	DESCRIPTION	DATA REFERENCE
GNExL1...	GNExL1 PA LOUDSPEAKER	1.22.090
GNExS1...	GNExS1 ALARM SOUNDER/HORN	1.22.010

WHERE APPLICABLE '-UL' VERSIONS ARE COVERED BY THIS OUTLINE DRAWING.

DRAWING TO BS8888:2000
GEOMETRIC TOLERANCES TO ISO1101:1983
LINEAR DIMENSIONAL TOLS
ANGULAR DIMENSIONAL TOLS

STANDARDS
GNEx

DRAWN S T CHU	DATE 16:04:12
CHECKED R.N.POTTS	DATE 16:04:12
APPROVED R.N.POTTS	DATE 16:04:12

SURFACE FINISH FINISH	WEIGHT (Kg)
MATERIAL	
ALTERNATIVE MATERIAL	

THIS DRAWING AND ANY INFORMATION OR DESCRIPTIVE MATTER THEREIN IS COMMUNICATED IN CONFIDENCE AND IS THE COPYRIGHT PROPERTY OF EUROPEAN SAFETY SYSTEMS LTD. NEITHER THE WHOLE OR ANY EXTRACT MAY BE DISCLOSED, LOANED, COPIED OR USED FOR MANUFACTURING OR TENDERING PURPOSES WITHOUT THEIR WRITTEN CONSENT.

EUROPEAN SAFETY SYSTEMS LTD.
AS PER LATEST DATE OF ISSUE SHOWN ABOVE

warning signals
EUROPEAN SAFETY SYSTEMS LTD
IMPRESS HOUSE
MANSELL ROAD
ACTON
LONDON W3 7QH
WWW.E2S.COM

ALL DIMENSIONS IN MM & [INCHES] IF IN DOUBT, ASK - DO NOT SCALE		A3
TITLE GNExS1 & GNExL1 OUTLINE		
SCALE	SHEET 1 OF 1	DRAWING NUMBER SK0223