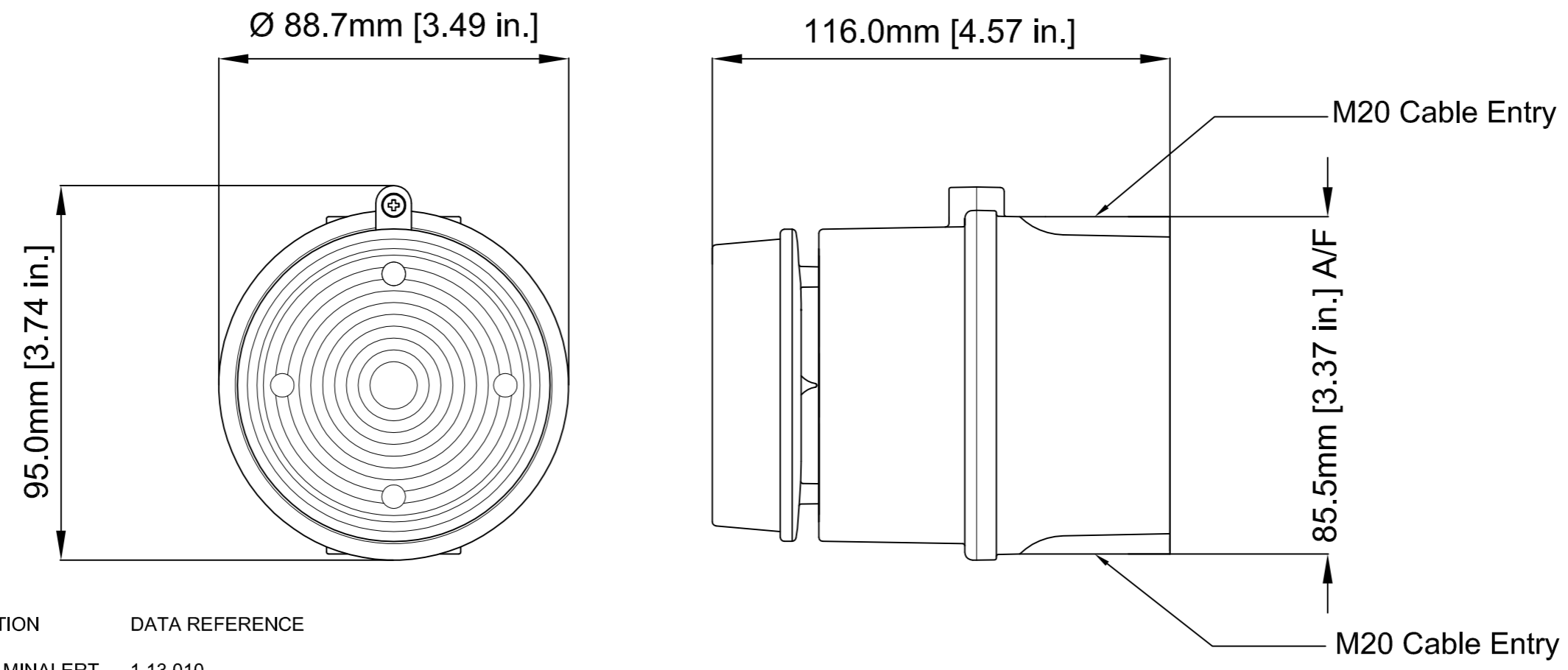
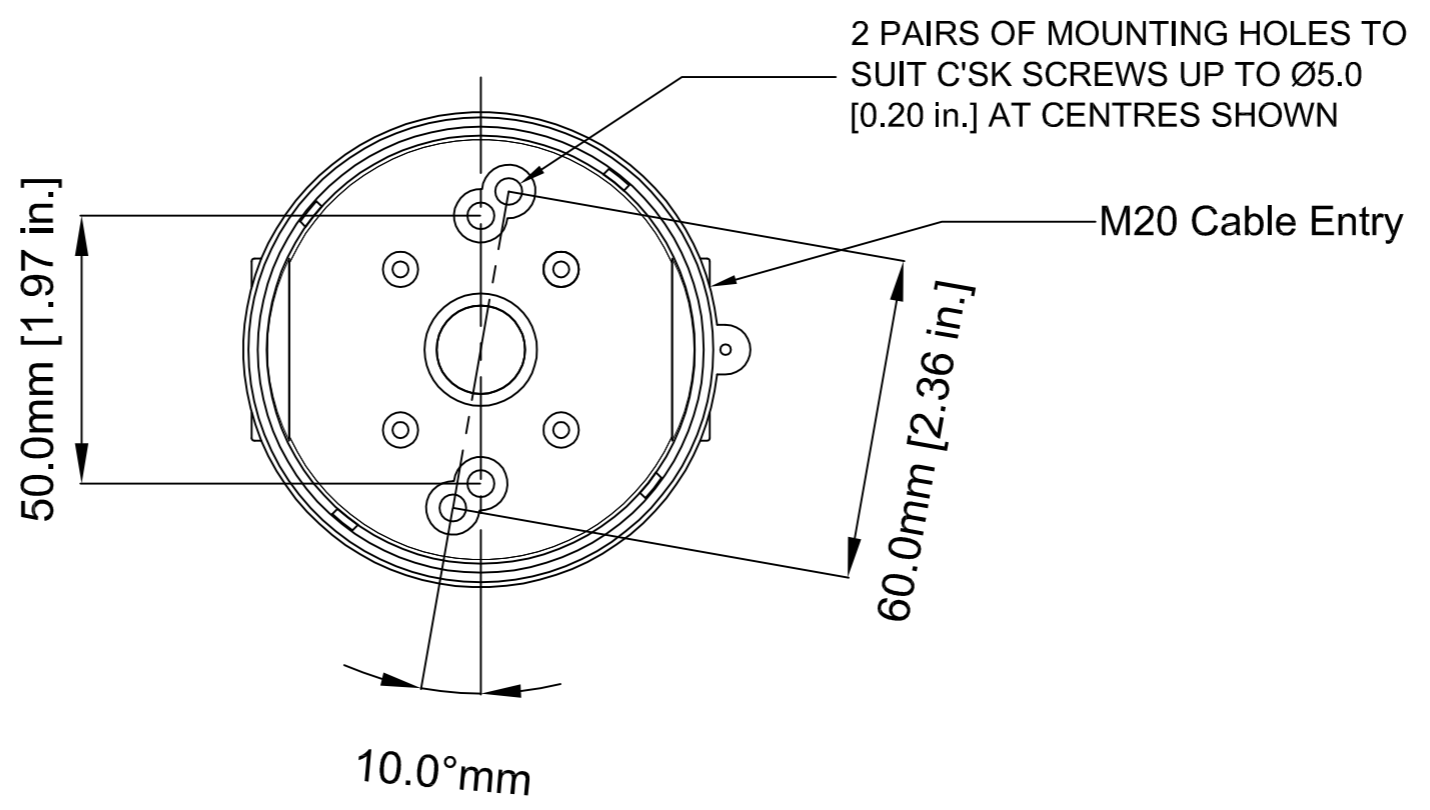


ISSUE	MOD No.	INITIAL/DATE
A		INTRODUCTION OF PART GU 28-08-09
B		MOUNTING CTRS ADDED RNP 24-09-12
C		MTG ANGLE ADDED RNP 20-02-13
D		UPDATED TO DUAL DIMS. RSR 25-06-13
E		AMENDED INCORRECT IMPERIAL DIM. RSR 14-08-14



E2S PART NO.	DESCRIPTION	DATA REFERENCE
IS-MC1...	IS-MC1 IS MINALERT	1.13.010

WHERE APPLICABLE '-UL' VERSIONS ARE COVERED BY THIS OUTLINE DRAWING.

DRAWING TO BS8888:2000 GEOMETRIC TOLERANCES TO ISO1101:1983 LINEAR DIMENSIONAL TOLS ANGULAR DIMENSIONAL TOLS	DRAWN G. UDOWICZENKO	DATE 26-08-09	SURFACE FINISH	WEIGHT (Kg)	THIS DRAWING AND ANY INFORMATION OR DESCRIPTIVE MATTER THEREIN IS COMMUNICATED IN CONFIDENCE AND IS THE COPYRIGHT PROPERTY OF EUROPEAN SAFETY SYSTEMS LTD. NEITHER THE WHOLE OR ANY EXTRACT MAY BE DISCLOSED, LOANED, COPIED OR USED FOR MANUFACTURING OR TENDERING PURPOSES WITHOUT THEIR WRITTEN CONSENT.	 EUROPEAN SAFETY SYSTEMS LTD IMPRESS HOUSE MANSELL ROAD ACTON LONDON W3 7QH WWW.E2S.COM	ALL DIMENSIONS IN MM IF IN DOUBT, ASK - DO NOT SCALE		A2
	CHECKED	DATE	MATERIAL				TITLE IS-mc1 COMBINED OUTLINE		
	APPROVED	DATE	ALTERNATIVE MATERIAL				SCALE 1:1	SHEET 1 OF 1	DRAWING NUMBER SK0126