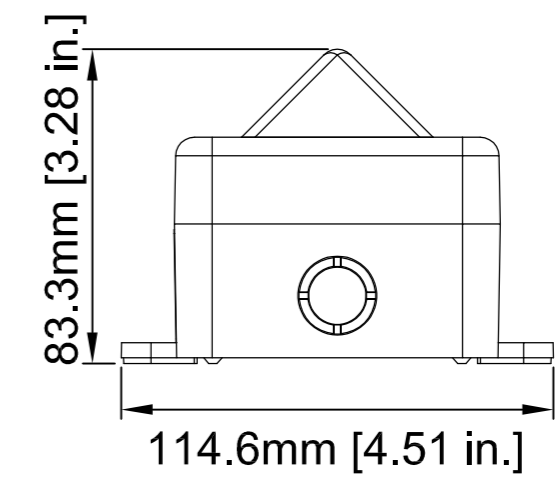
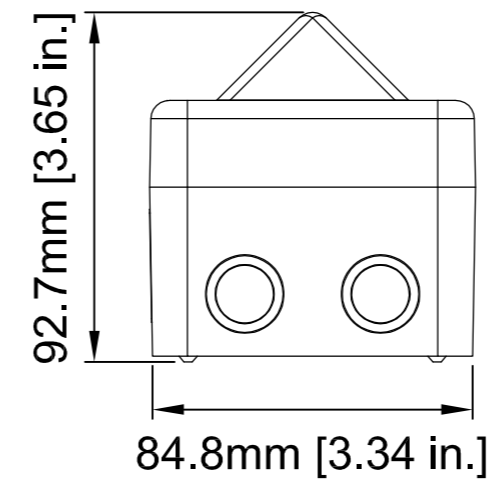
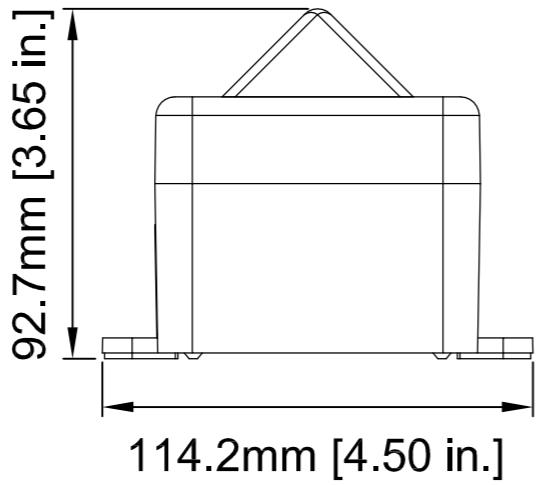
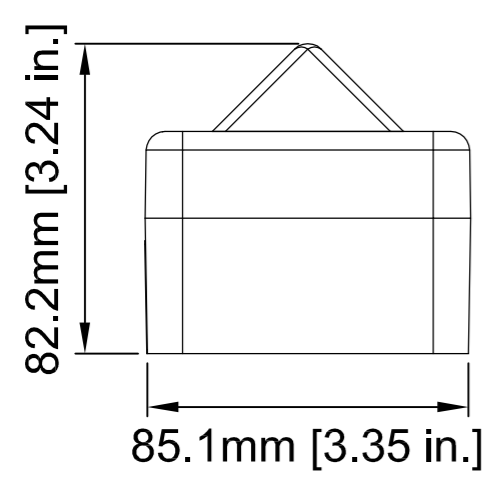
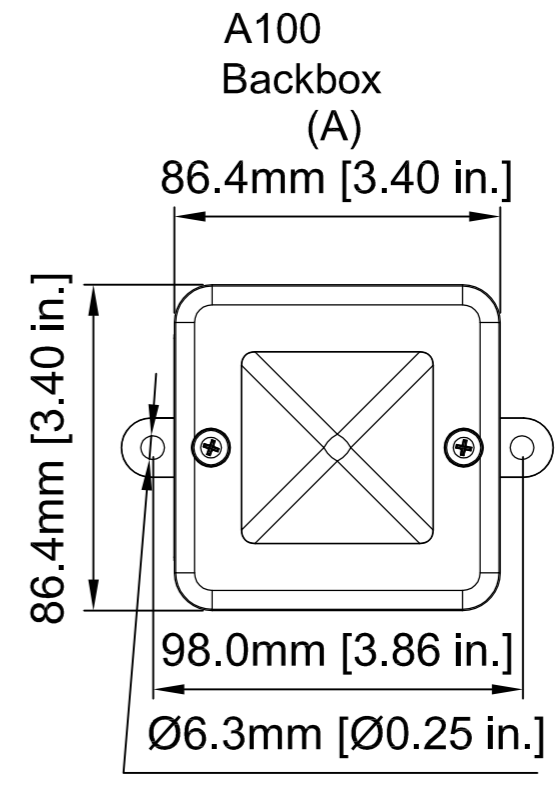
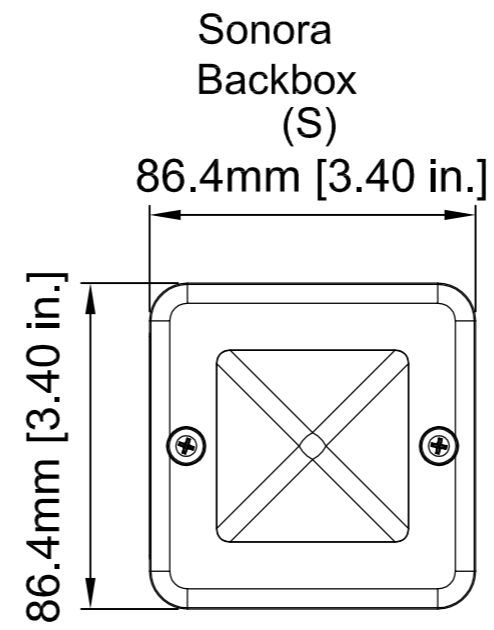
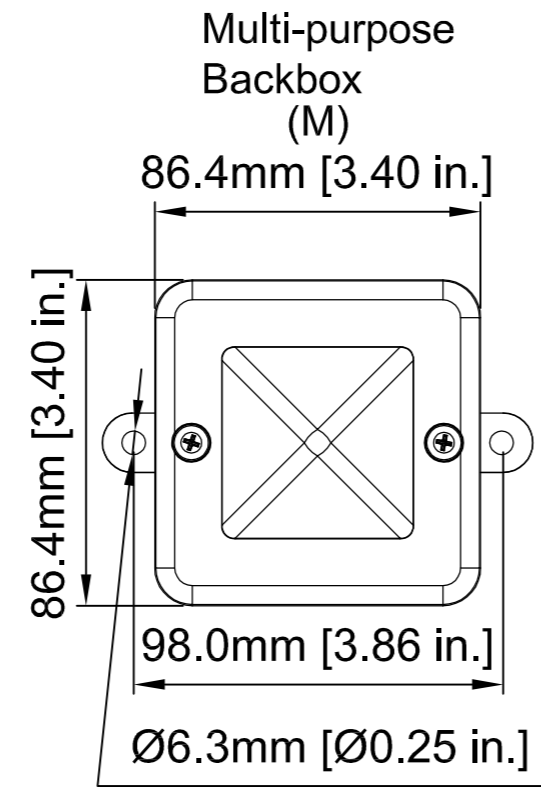
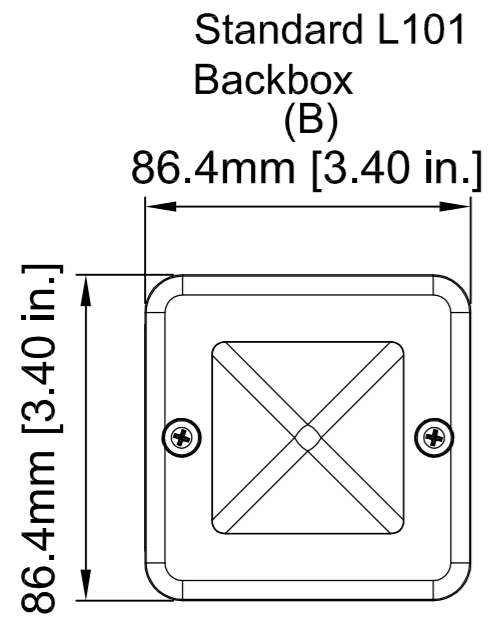


ISSUE	MOD No.	REASON - INITIAL - DATE
A		INTRODUCTION OF PART RSR 25-06-13



E2S PART NO.	DESCRIPTION	DATA REFERENCE
L101H...	L101H L.E.D BEACON	2.14.010
L101X...	L101X XENON BEACON	2.13.010
L101FLASHTEL...	L101FLASHTEL TELEPHONE INITIATED XENON BEACON	2.13.020

REFER TO CORRECT BACK BOX TYPE SKETCHES ABOVE.
WHERE APPLICABLE '-UL' VERSIONS ARE COVERED BY THIS OUTLINE DRAWING.

DRAWING TO BS8888:2000 GEOMETRIC TOLERANCES TO ISO1101:1983 LINEAR DIMENSIONAL TOLS ANGULAR DIMENSIONAL TOLS	DRAWN R.S.RAIT	DATE 25.06.13	SURFACE FINISH FINISH	WEIGHT (Kg)	THIS DRAWING AND ANY INFORMATION OR DESCRIPTIVE MATTER THEREIN IS COMMUNICATED IN CONFIDENCE AND IS THE COPYRIGHT PROPERTY OF EUROPEAN SAFETY SYSTEMS LTD. NEITHER THE WHOLE OR ANY EXTRACT MAY BE DISCLOSED, LOANED, COPIED OR USED FOR MANUFACTURING OR TENDERING PURPOSES WITHOUT THEIR WRITTEN CONSENT. EUROPEAN SAFETY SYSTEMS LTD. AS PER LATEST DATE OF ISSUE SHOWN ABOVE	 EUROPEAN SAFETY SYSTEMS LTD IMPRESS HOUSE MANSELL ROAD ACTON LONDON W3 7QH WWW.E2S.COM	ALL DIMENSIONS IN MM & [in.] IF IN DOUBT, ASK - DO NOT SCALE		A3
	CHECKED R.N.POTTS	DATE 25.06.13	MATERIAL				TITLE L101 RANGE - OUTLINE DRAWINGS		
	APPROVED R.N.POTTS	DATE 25.06.13	ALTERNATIVE MATERIAL				SCALE 1:2	SHEET 1 OF 1	DRAWING NUMBER SK0263