

L101X AlertAlight

High Powered Xenon Tube Beacon
5J Xenon Flash Tube

Dimensions : 86.0 x 86.0mm

- Three selectable modes :
- Flashing 1 Hz
 - Flashing 1.5Hz*
 - Double Strike*

Terminals: 1.5mm²
Cable entry: M20 Clearance
Dependant on Back Box selected

IP Rating: Type 4 / 4X / 3R / 13, IP66

Temp: -25°C to +55°C

Unit weight: 200g

CE & UL Approved

*Flashing 1.5Hz and Double Strike modes are not available on the following units: L101XDC012[z][x][y]-UL
when used with an AC supply; L101XAC048[z][x][y]; L101XAC115[z][x][y] & L101XAC230[z][x][y].

Tel : +44 (0)2 8743 8880 Fax : +44 (0)20 8740 4200
mail : sales@zse.com web : www.zse.com



3

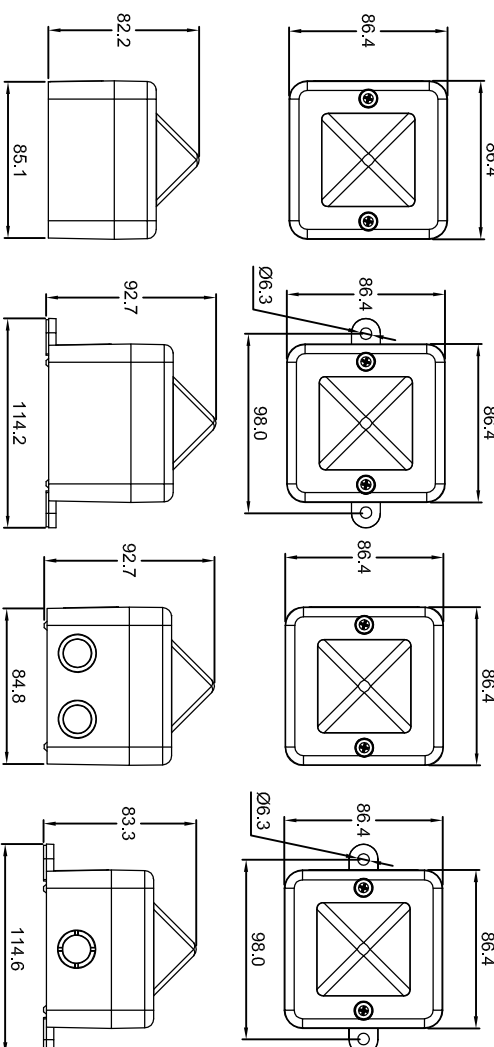
Back Box Type

Standard L101
Backbox (B)

Multi-purpose
Backbox (M)

Sonora
Backbox (S)

A100
Backbox (A)



2

Order code	Voltage	Nominal Current	Max Current
L101XDC012[z][x][y]-UL	11.5-14 VDC	500mA	531mA @14VDC
L101XDC024[z][x][y]-UL	11.5-14 VAC	380mA	341mA @14VAC
L101XDC048[z][x][y]-UL	20-28 V DC	250mA	271mA @ 20VDC
L101XDC048[z][x][y]-UL	20-28 V AC	300mA	426mA @ 28VAC
L101XDC048[z][x][y]-UL	42-54 V DC	175mA	160mA @ 42VDC
L101XAC048[z][x][y]-UL	48 VAC ± 10%	250mA	360mA @ 52.8VAC
L101XAC115[z][x][y]-UL	115 VAC ± 10%	70mA	101mA @ 126.5VAC
L101XAC230[z][x][y]-UL	230 VAC ± 10%	35mA	58mA @ 253VAC

[z] = Back Box Type
B = Standard L101 Backbox
M = Multi-purpose Backbox
A = A100 Backbox
S = Sonora Backbox

[y] = Lens colour
R = Red A = Amber
B = Blue C = Clear
G = Green

[x] = Housing colour
G = Grey R = Red W = White

ATTENTION: Installation must be carried out by an electrician in compliance with the latest codes and regulations.

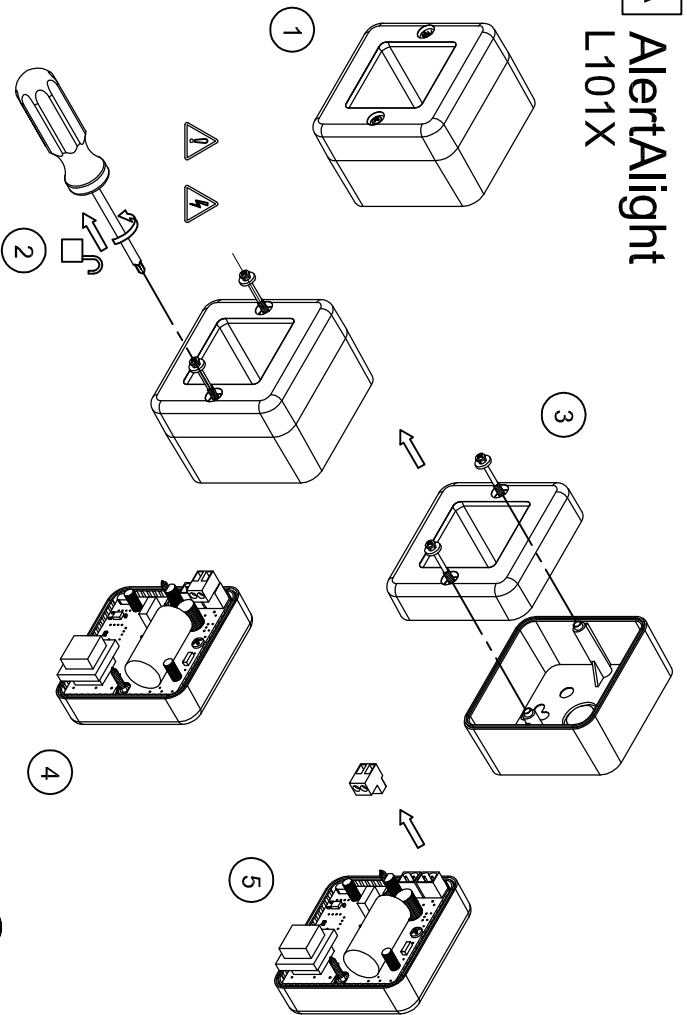
ATTENTION: Disconnect from power source before installation or service to prevent electric shock.

ATTENTION: On strobe beacons allow a minimum of 2 minutes for hazardous high voltage to discharge from unit.

ATTENTION: Lens on unit will be hot allow to cool prior to removal.



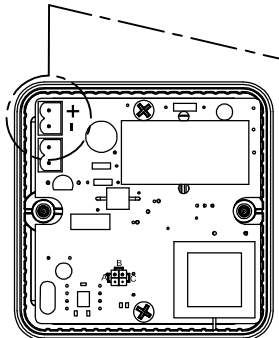
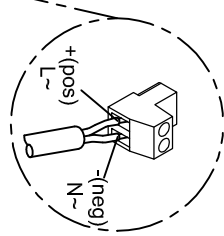
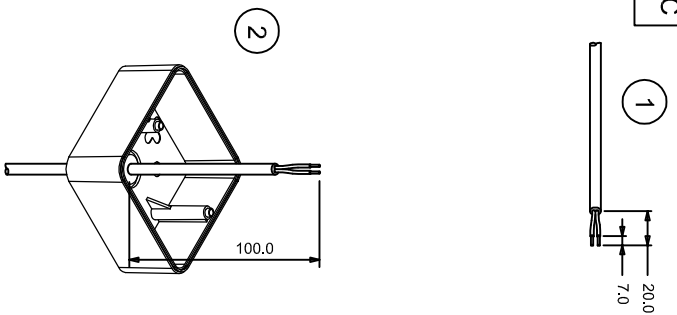
A AlertAlight L101X



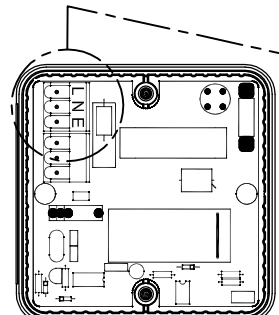
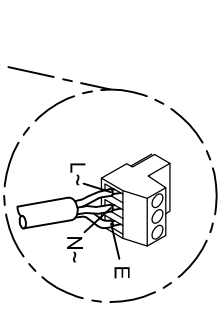
Tel: +44 (0)20 8743 8880 Fax: +44 (0)20 8740 4200
 Email: sales@e2s.com Web: www.e2s.com



C



11-5-14 VDC/AC
 20-28 VDC/AC
 42-54 VDC/AC
 48 VAC



115 VAC
 230 VAC



B

Header Pin settings for flashing modes

*Flashing 1.5Hz and Double Strike modes are not available on the following units: L101XDC0120lx|V| when used with an AC supply; L101XAC0480lx|V|; L101XAC1150lx|V| & L101XAC2300lx|V|.



D

