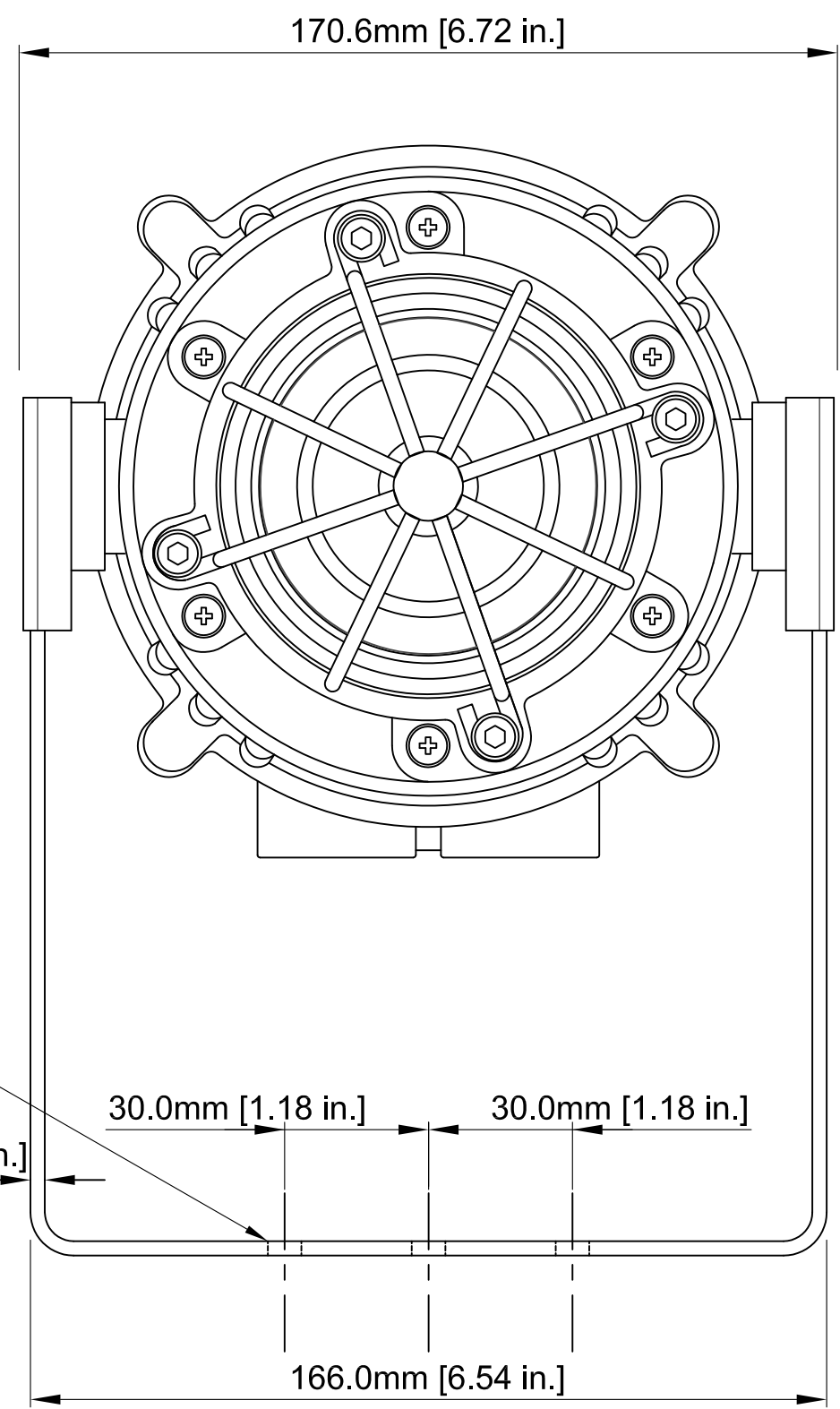
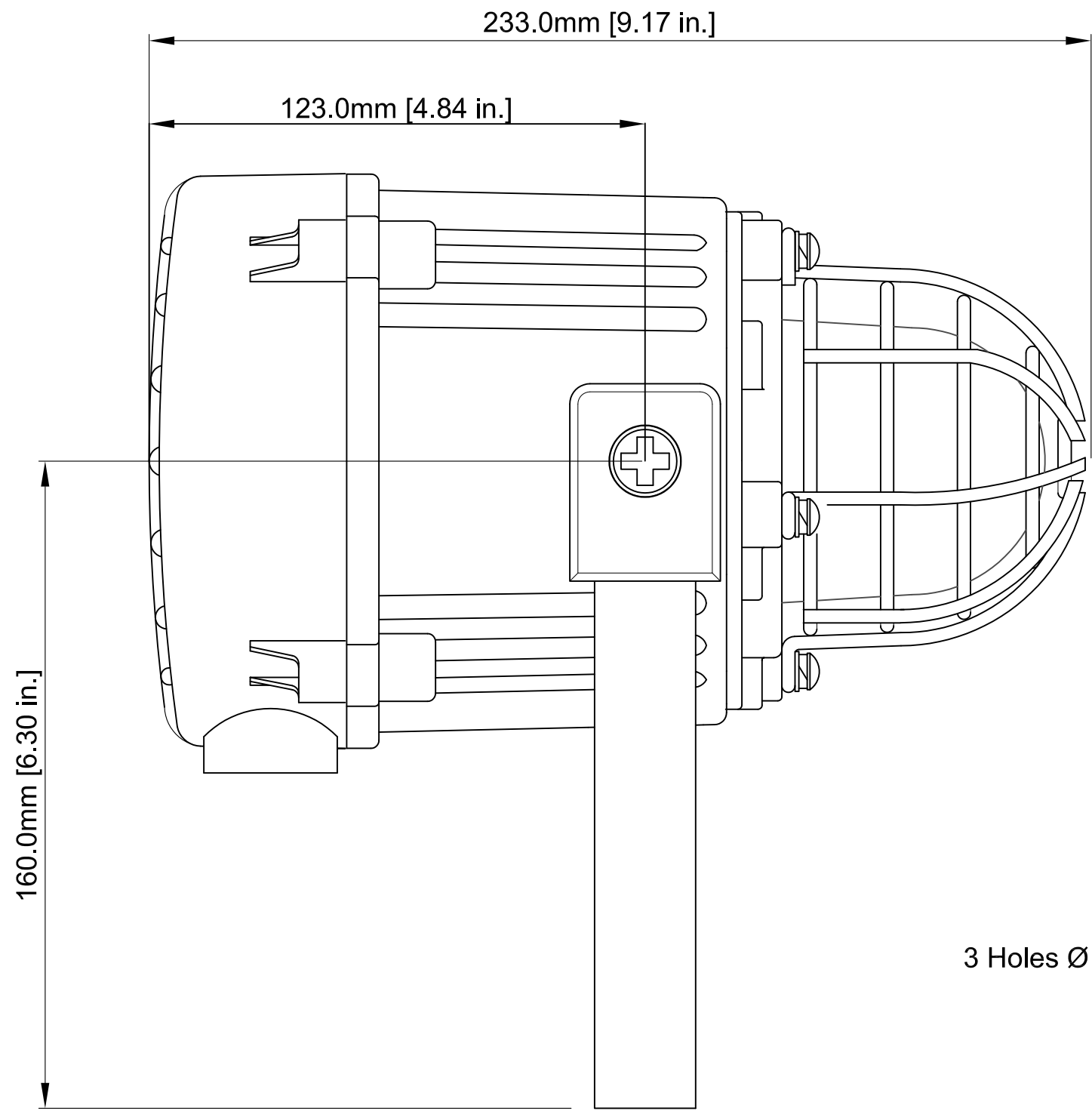


ISSUE	MOD No.	INITIAL/DATE
C		UPDATED TO ADD MB021P & MB015P VERSIONS RNP 17-03-14
D		DATA REFERENCE FOR MB021P & MB015P ADDED RNP 19-03-14



E2S PART NO.	DESCRIPTION	DATA REFERENCE
E2xB05...	E2xB05 XENON STROBE BEACON	1.31.010
E2xB10...	E2xB10 XENON STROBE BEACON	1.31.020
MB005...	MB005 XENON STROBE BEACON	2.13.060
MB010...	MB010 XENON STROBE BEACON	2.13.070
MB015P...	MB015P XENON STROBE BEACON	2.13.100
MB021P...	MB021P XENON STROBE BEACON	2.13.110
MBL1...	MBL1 MULTI-FUNCTION LED BEACON	2.14.060

WHERE APPLICABLE '-UL' VERSIONS ARE COVERED BY THIS OUTLINE DRAWING.

DRAWING TO BS8888:2000 GEOMETRIC TOLERANCES TO ISO1101:1983 LINEAR DIMENSIONAL TOLS ANGULAR DIMENSIONAL TOLS	DRAWN G. UDOWICZENKO	DATE 21-04-09	SURFACE FINISH	WEIGHT (Kg)	THIS DRAWING AND ANY INFORMATION OR DESCRIPTIVE MATTER THEREIN IS COMMUNICATED IN CONFIDENCE AND IS THE COPYRIGHT PROPERTY OF EUROPEAN SAFETY SYSTEMS LTD. NEITHER THE WHOLE OR ANY EXTRACT MAY BE DISCLOSED, LOANED, COPIED OR USED FOR MANUFACTURING OR TENDERING PURPOSES WITHOUT THEIR WRITTEN CONSENT.	 EUROPEAN SAFETY SYSTEMS LTD IMPRESS HOUSE MANSELL ROAD ACTON LONDON W3 7QH WWW.E2S.COM	ALL DIMENSIONS IN MM IF IN DOUBT, ASK - DO NOT SCALE	 A2	
	STANDARDS E2x	CHECKED	DATE	MATERIAL					<p>© EUROPEAN SAFETY SYSTEMS LTD. AS PER LATEST DATE OF ISSUE SHOWN ABOVE</p>
	APPROVED	DATE	ALTERNATIVE MATERIAL				SCALE 1:1	SHEET 1 OF 1	DRAWING NUMBER SK0072