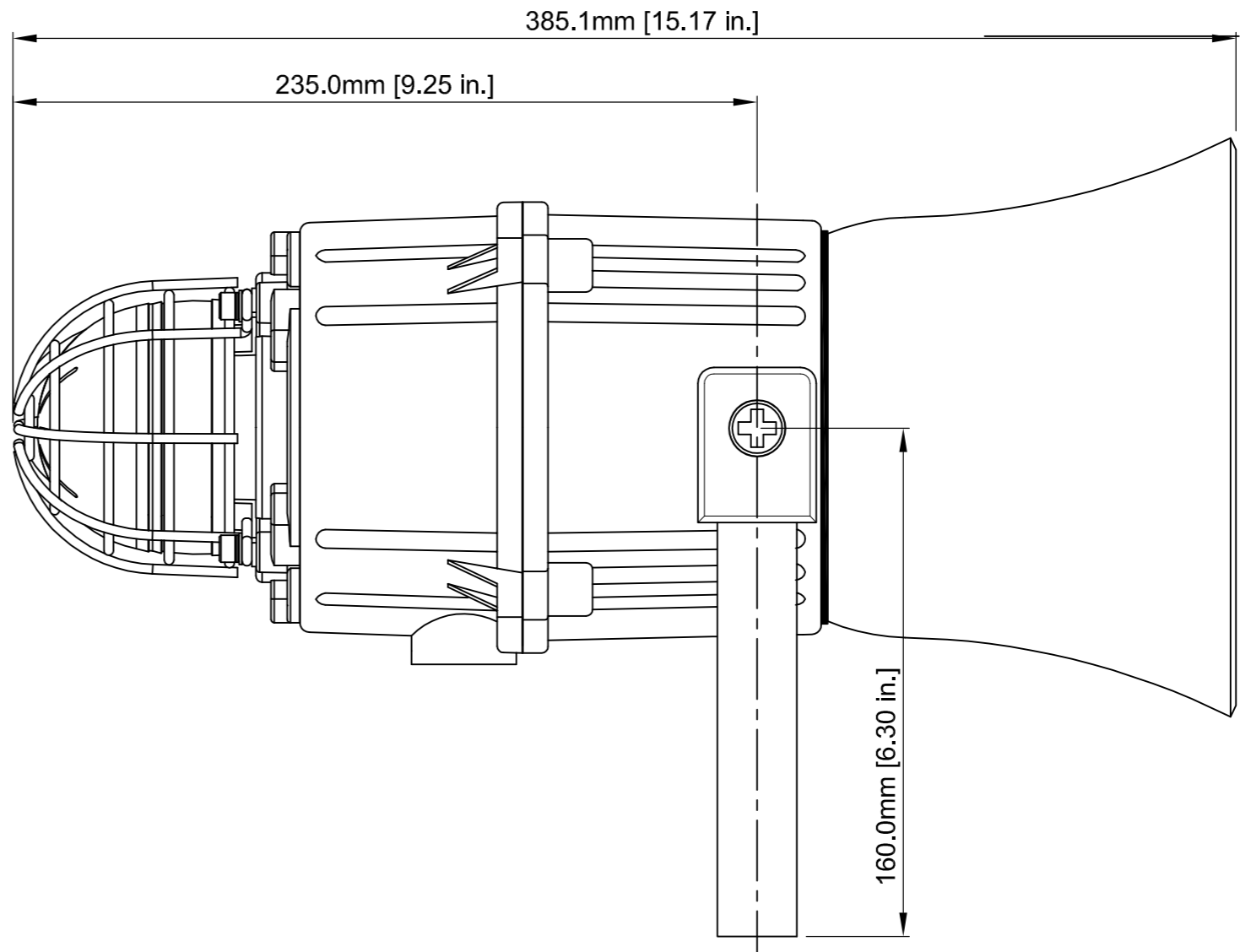
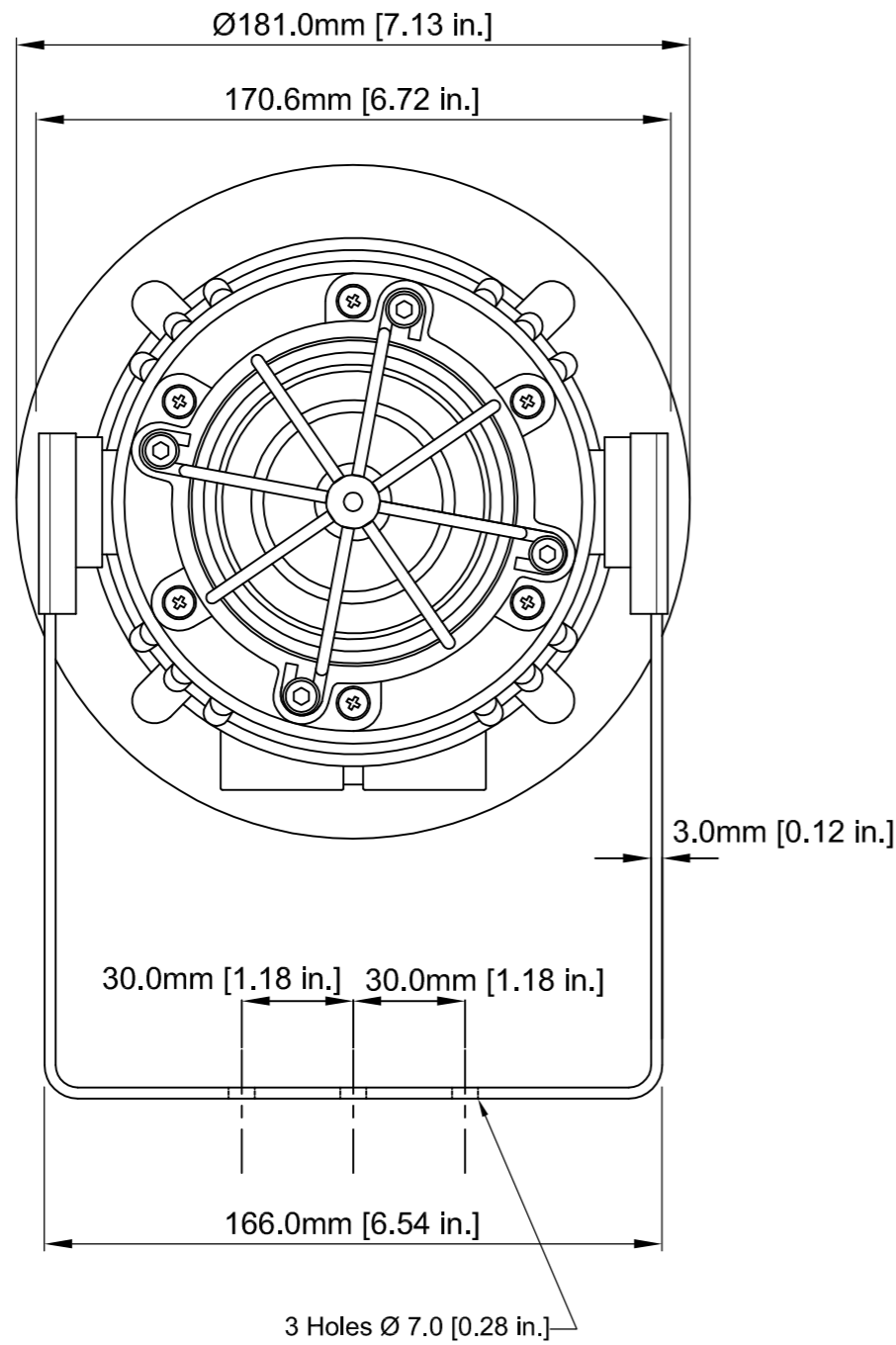


ISSUE	MOD No.	INITIAL DATE
A		INTRODUCTION OF PART GU 28-09-09
B		UPDATED TO DUAL DIMS. RSR 25-06-13
C		NEW LENS SHOWN, L2 ADDED. RSR 27-09-16
D		NEW PART NUMBERING, LED VARIANTS RSR 18-05-17
E		MAINE PART CODES UPDATED RSR 14-06-17



E2S PART NO.	DESCRIPTION	DATA REFERENCE
E2xC1X05F...	E2xC1X05F COMBINED ALARM FLARE SOUNDER & XENON STROBE BEACON	1.34.010
E2xC1LD2F...	E2xC1LD2F COMBINED ALARM FLARE SOUNDER & LED BEACON	1.34.016
HMCA112-05...	HMCA112-05 ELECTRONIC SIREN, BUZZER, HOOTER & BELL	2.33.050
MC1X05F...	MC1X05F ALARM SOUNDER & XENON BEACON	2.31.400
MC1LD2F...	MC1LD2F ALARM SOUNDER & LED BEACON	2.31.411

WHERE APPLICABLE 'UL' VERSIONS ARE COVERED BY THIS OUTLINE DRAWING.

DRAWING TO BS8886:2000 GEOMETRIC TOLERANCES TO ISO1101:1983 LINEAR DIMENSIONAL TOLS ANGULAR DIMENSIONAL TOLS	DRAWN G. UDOWICZENKO	DATE 26-08-09	SURFACE FINISH	WEIGHT (kg)	THIS DRAWING AND ANY INFORMATION OR DESCRIPTIVE MATTER THEREIN IS COMMUNICATED IN CONFIDENCE AND IS THE COPYRIGHT PROPERTY OF EUROPEAN SAFETY SYSTEMS LTD. NEITHER THE WHOLE OR ANY EXTRACT MAY BE DISCLOSED, LOANED, COPIED OR USED FOR MANUFACTURING OR TENDERING PURPOSES WITHOUT THEIR WRITTEN CONSENT. EUROPEAN SAFETY SYSTEMS LTD. AS PER LATEST DATE OF ISSUE SHOWN ABOVE	 EUROPEAN SAFETY SYSTEMS LTD IMPRESS HOUSE MANSELL ROAD ACTON LONDON W3 7QH WWW.E2S.COM	ALL DIMENSIONS IN MM IF IN DOUBT, ASK - DO NOT SCALE	 A1
	CHECKED	DATE	MATERIAL	TITLE E2xC1 COMBINED OUTLINE				
	APPROVED	DATE	ALTERNATIVE MATERIAL	SCALE 1:1			SHEET 1 OF 1	