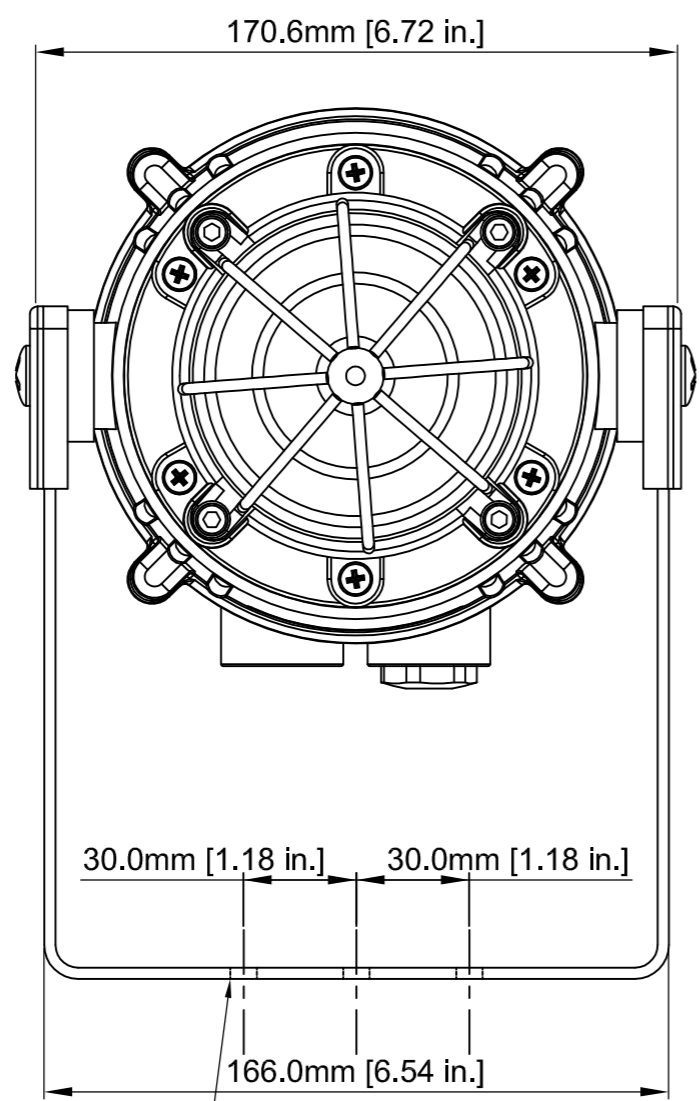
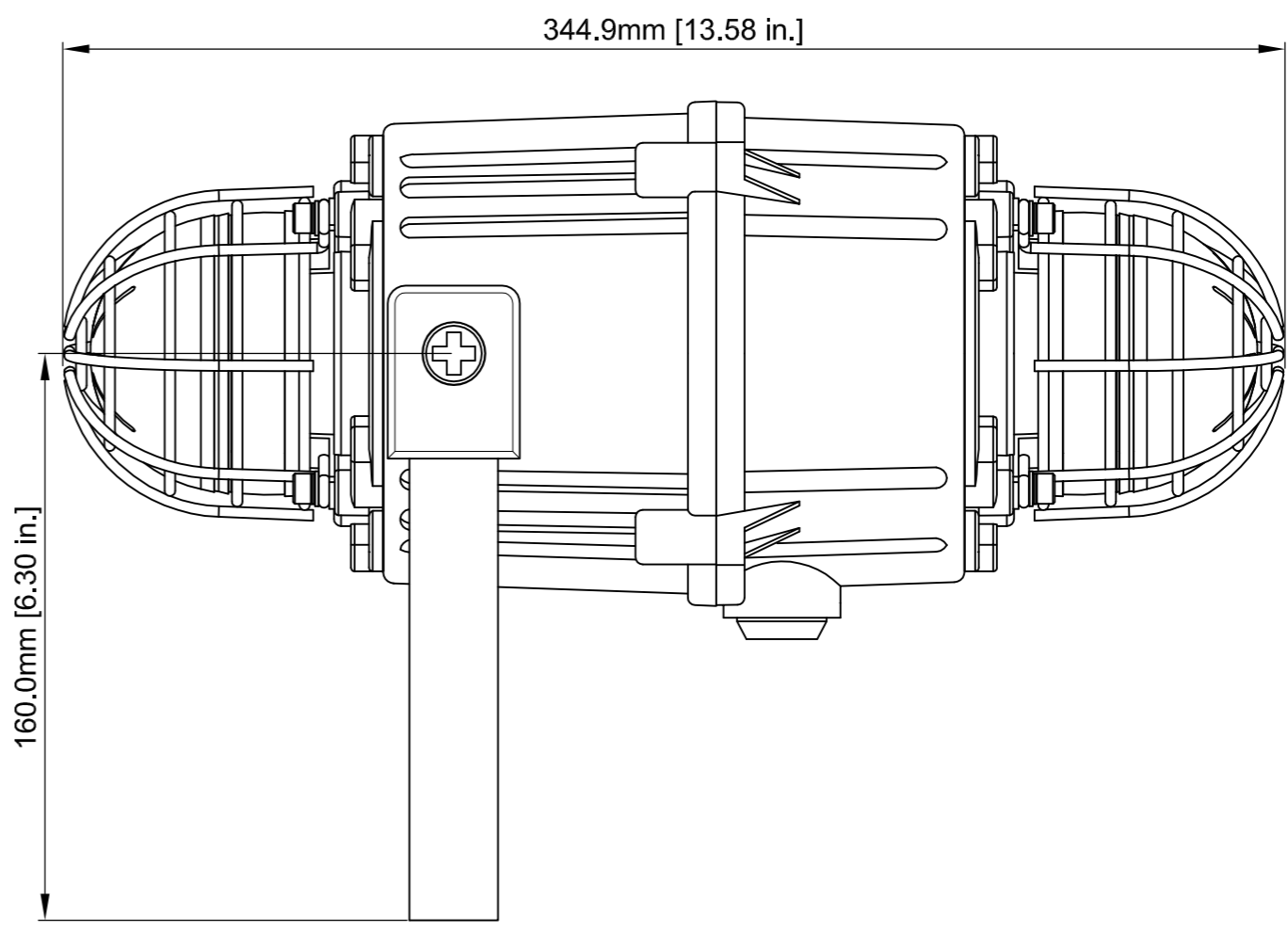


ISSUE	MOD No.	INITIALDATE
A		INTRODUCTION OF PART RSR 13-10-16
B		PART CODES UPDATED RSR 14-06-17



3 Holes Ø 7.00 [0.28 in.]



E2S PART NO.	DESCRIPTION	DATA REFERENCE
MCBX05X05...	MCBX05X05 DUAL XENON STROBE BEACON	2.13.080
MCBLD2X05...	MCBLD2X05 DUAL LED / XENON STROBE BEACON	2.13.091
MCBLD2LD2...	MCBLD2LD2 DUAL LED BEACON	2.13.092

WHERE APPLICABLE 'UL' VERSIONS ARE COVERED BY THIS OUTLINE DRAWING.

DRAWING TO BS.8888:2000 GEOMETRIC TOLERANCES TO ISO1101:1983 LINEAR DIMENSION TOLS ANGULAR DIMENSION TOLS	DRAWN R. S. RAIT DATE 14-06-17	SURFACE FINISH	WEIGHT (Kg)	THIS DRAWING AND ANY INFORMATION OR DESCRIPTIVE MATTER THEREIN IS COMMUNICATED IN CONFIDENCE AND IS THE COPYRIGHT PROPERTY OF EUROPEAN SAFETY SYSTEMS LTD. NEITHER THE WHOLE OR ANY EXTRACT MAY BE DISCLOSED, LOANED, COPIED OR USED FOR MANUFACTURING OR TENDERING PURPOSES WITHOUT THEIR WRITTEN CONSENT. © EUROPEAN SAFETY SYSTEMS LTD. AS PER LATEST DATE OF ISSUE SHOWN ABOVE	 warning signals EUROPEAN SAFETY SYSTEMS LTD WAREHOUSES WINDLE ROAD ACTON LONDON W3 7JH WWW.E2S.COM	ALL DIMENSIONS IN MM IF IN DOUBT, ASK - BID NOT SCALE	 A1
	CHECKED B. ISARD DATE 14-06-17	MATERIAL	ALTERNATIVE MATERIAL			TITLE MCB DUAL BEACON OUTLINE DRAWING	
STANDARDS	APPROVED R. POTTS DATE 14-06-17			SCALE 1:1	SHEET 1 OF 1	DRAWING NUMBER SK0446	