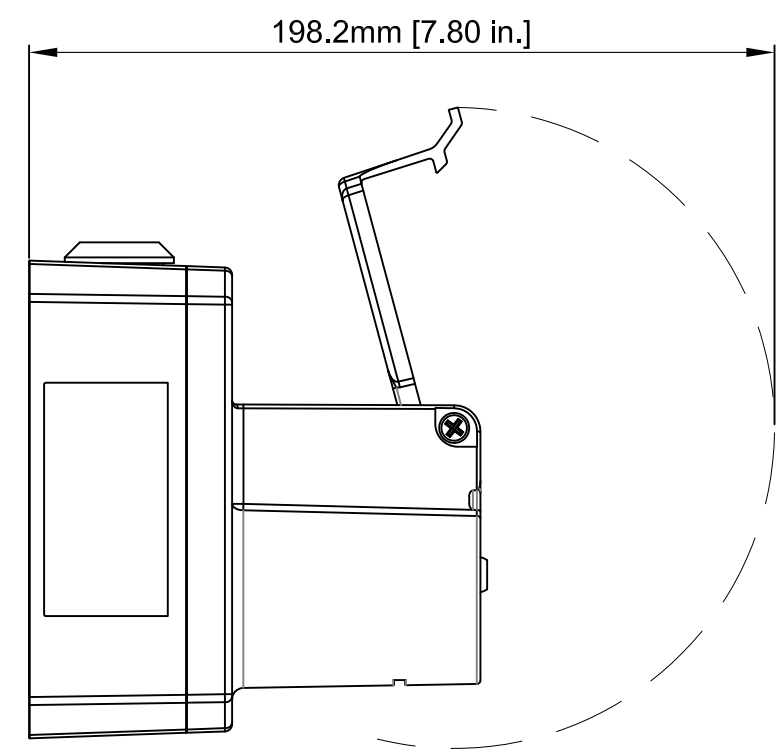
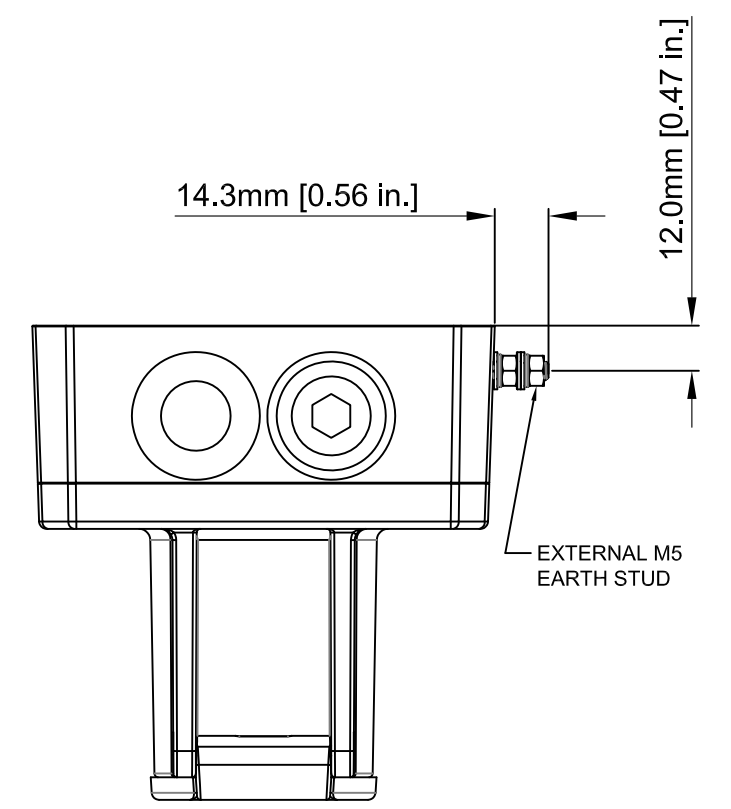
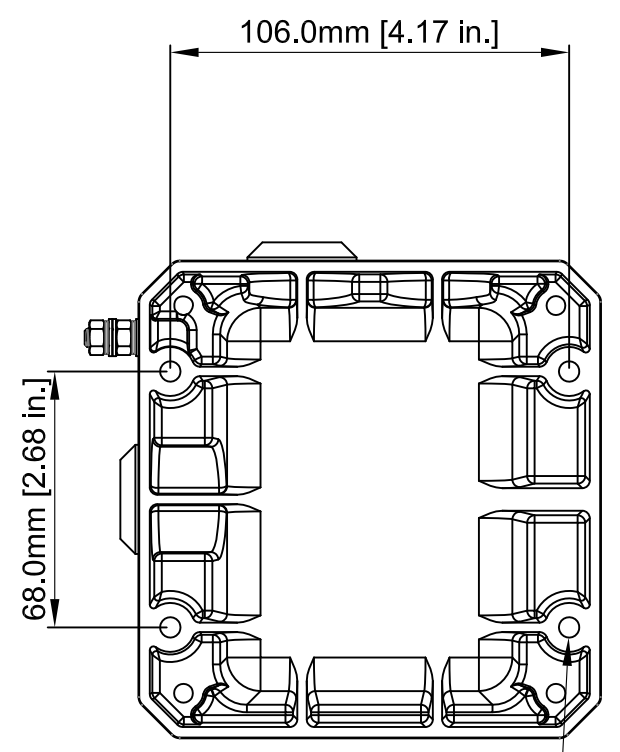


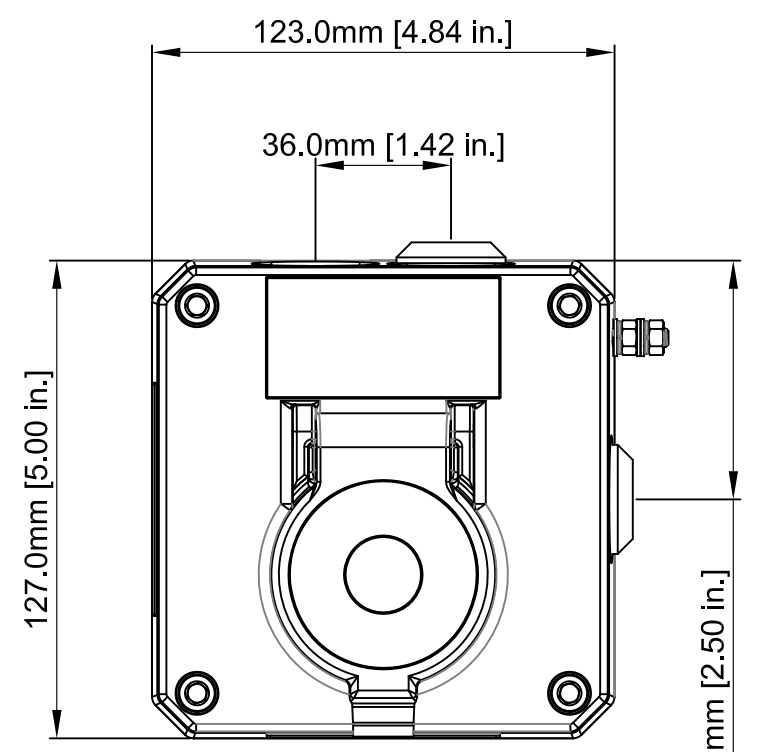
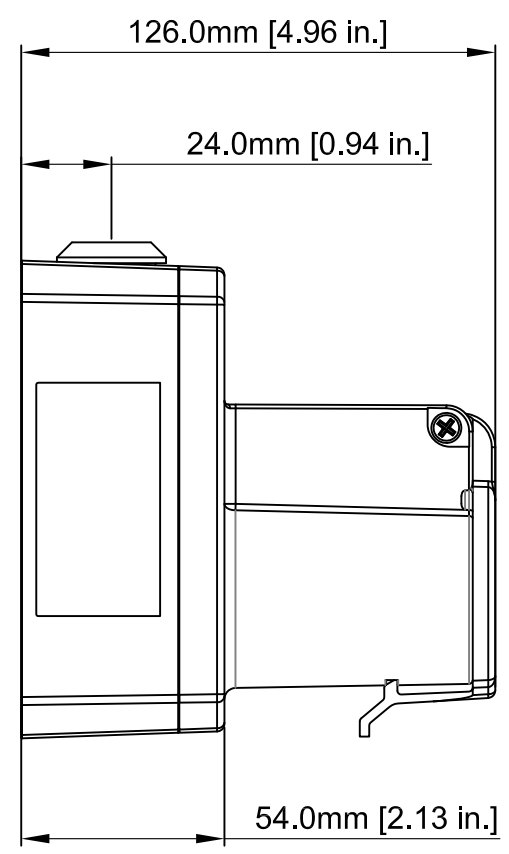
SHOWN WITH LID CLOSED



SHOWN WITH LID OPEN



Ø5.4mm [Ø0.21 in.] MOUNTING HOLES 4 OFF



E2S PART NO.	DESCRIPTION	DATA REFERENCE
STExCP8-PM...	STAINLESS STEEL CP8 PUSH BUTTON (MOMENTARY) CALL POINT	1.24.130
STExCP8-PT...	STAINLESS STEEL CP8 PUSH BUTTON (TOOL RESET) CALL POINT	1.24.130

DRAWING TO BS 8888:2000 GEOMETRIC TOLERANCES TO ISO 1101:1983 LINEAR DIMENSION TOLS ANGULAR DIMENSION TOLS	DRAWN	DATE	SURFACE FINISH	WEIGHT (Kg)
	R.S. RAIT	24-10-16		
STANDARDS	CHECKED	DATE	MATERIAL	
	B. ISARD	24-10-16		
	APPROVED	DATE	ALTERNATIVE MATERIAL	
	R.N. POTTS	24-10-16		

THIS DRAWING AND ANY INFORMATION OR DESCRIPTIVE MATTER THEREIN IS COMMUNICATED IN CONFIDENCE AND IS THE COPYRIGHT PROPERTY OF EUROPEAN SAFETY SYSTEMS LTD. NEITHER THE WHOLE OR ANY EXTRACT MAY BE DISCLOSED, LOANED, COPIED OR USED FOR MANUFACTURING OR TENDERING PURPOSES WITHOUT THEIR WRITTEN CONSENT.

© EUROPEAN SAFETY SYSTEMS LTD.  
AS PER LATEST DATE OF ISSUE SHOWN ABOVE



ALL DIMENSIONS IN MM IF IN DOUBT, ASK - DO NOT SCALE		A1
TITLE STExCP8-PM/PT PUSH BUTTON MOMENTARY/ TOOL RESET OUTLINE DRAWING		
SCALE 1:1	SHEET 1 OF 1	DRAWING NUMBER D204-05-211