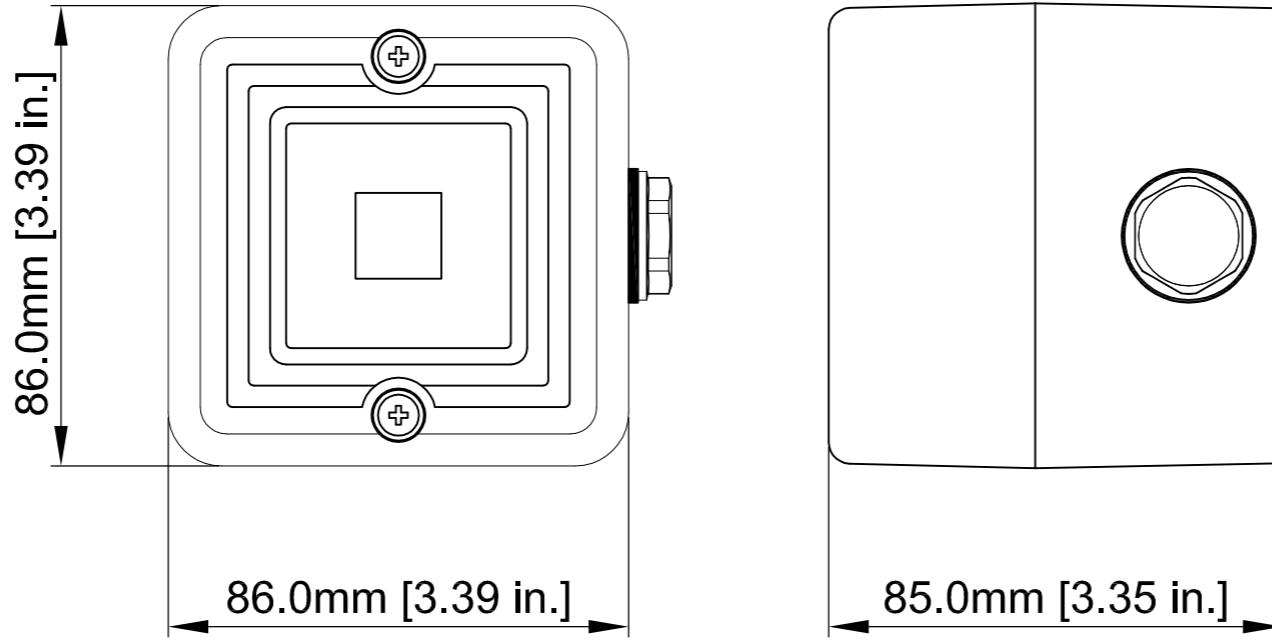


ISSUE	MOD No.	INITIAL/DATE
A		INTRODUCTION OF PART GU 28-09-09
B		UPDATED TO DUAL DIMS. RSR 26-06-13



E2S PART NO.	DESCRIPTION	DATA REFERENCE
A100...	A100 ALARM SOUNDER	2.21.040
A100SONTEL...	A100SONTEL TELEPHONE INITIATED ALARM SOUNDER	2.21.050

WHERE APPLICABLE '-UL' VERSIONS ARE COVERED BY THIS OUTLINE DRAWING.

DRAWING TO BS8888:2000 GEOMETRIC TOLERANCES TO ISO1101:1983 LINEAR DIMENSIONAL TOLS ANGULAR DIMENSIONAL TOLS	DRAWN G. UDOWICZENKO	DATE 24-09-09	SURFACE FINISH	WEIGHT (Kg)	THIS DRAWING AND ANY INFORMATION OR DESCRIPTIVE MATTER THEREIN IS COMMUNICATED IN CONFIDENCE AND IS THE COPYRIGHT PROPERTY OF EUROPEAN SAFETY SYSTEMS LTD. NEITHER THE WHOLE OR ANY EXTRACT MAY BE DISCLOSED, LOANED, COPIED OR USED FOR MANUFACTURING OR TENDERING PURPOSES WITHOUT THEIR WRITTEN CONSENT.	 EUROPEAN SAFETY SYSTEMS LTD IMPRESS HOUSE MANSELL ROAD ACTON LONDON W3 7QH WWW.E2S.COM	ALL DIMENSIONS IN MM IF IN DOUBT, ASK - DO NOT SCALE		A2
	CHECKED	DATE	MATERIAL						
	APPROVED	DATE	ALTERNATIVE MATERIAL						
STANDARDS	EUROPEAN SAFETY SYSTEMS LTD. AS PER LATEST DATE OF ISSUE SHOWN ABOVE					TITLE A100 SOUNDER RANGE - OUTLINE	SCALE 1:1	SHEET 1 OF 1	DRAWING NUMBER SK0133