

AB105RTH Alarm Sounder & Rotating Beacon

The AB105RTH combines a compact high output 112dB(A) alarm sounder with a powerful 25W halogen rotating beacon.

The beacon and sounder can be operated from the same power source or controlled individually.

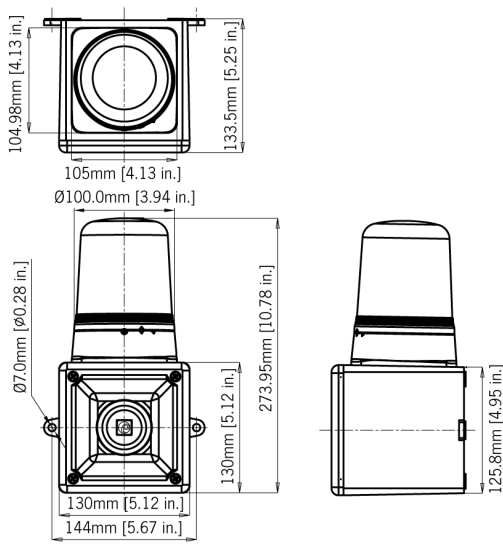
Features

- Automatic synchronisation on multi-sounder system.
- Continuously rated.
- Stainless steel fixings.
- Unit can be mounted using external lugs or internal BESA compatible fixing positions.
- Duplicate cable terminations (in & out for daisy-chain installations).
- Tropicalisation available on request.
- Available with custom tone configurations and frequencies.
- Stage Programmable 4 stage/channel version available:
 - 45 alarm tones
 - 4 remotely selectable stages
 - Any tone can be assigned to any stage
 - User configurable continuous frequency tone

Approvals

- Alarm sounder (A105N): EN54-3 (CPD 89/106/EEC).





Specification

Sounder:

Maximum output: 112dB(A) @ 1 metre [103dB(A) @ 10ft/3m]

Nominal output: 105dB(A) @ 1m +/- 3dB - Tone 2 [96dB(A) @ 10ft/3m]

No. of tones: 32 (UK00A / PFEER compliant)

No. of stages: 3

Volume control: Max. 105dB(A); Min. 96dB(A) - Tone 2

Effective range: 60m/197ft @ 1KHz

Stage switching: Negative Reverse polarity stage switching on DC units.

Beacon:

Light source: Halogen Bulb G6,35 / GY6,35.

Light output: max 25W

Rotation: 180 RPM (+/- 30RPM).

Peak Candela: 821 cd

Candela: 125 cd* (effective intensity)

Lens colours: Amber, Blue, > 5,000 hrs
Clear, Green, Red & Yellow
| Drive life:

General:

Voltages DC: 12V dc; 24V dc

Voltages AC: 115V ac; 230V ac

Ingress protection: IP65

Part Codes

Version:	Part code:	Wattage:
12V dc	AB105RTHDC12[x]/[y]	20W
24V dc	AB105RTHDC24[x]/[y]	20W
115V ac	AB105RTHAC115[x]/[y]	25W
230V ac	AB105RTHAC230[x]/[y]	25W

[x] = Enclosure colour: G: Grey R: Red

[y] = Lens colour: A: Amber B: Blue C: Clear G: Green R: Red Y: Yellow

Suffix part number with '-P' for stage programmable, 4 stage, 45 tone version.

Alarm Sounder

Version:	Voltage:	Current:
12/24V dc	10-30V dc	25mA*
115V ac	50/60Hz +/-10%	20mA
230V ac	50/60Hz +/-10%	15mA

* current at nominal voltage on Tone 2

Rotating Beacon

Version:	Wattage:	Current m:
12V dc	20W	1.72A
24V dc	20W	910mA
115V ac	50/60Hz 25W	216mA
230V ac	50/60Hz 25W	117mA

Tone table

S 1 Description

S 1 Description	S 2	S 3
T 1 340 Hz Continuous	T 2	T 5
T 2 800/1000Hz @ 0.25 sec Alternating	T 17	T 5
T 3 500/1200Hz @ 0.3Hz 0.5 sec Slow Whoop	T 2	T 5
T 4 800/1000Hz @ 1Hz Sweeping	T 6	T 5
T 5 2400Hz Continuous	T 3	T 20
T 6 2400/2900Hz @ 7Hz Sweeping	T 7	T 5
T 7 2400/2900Hz @ 1Hz Sweeping	T 10	T 5
T 8 500/1200/500Hz @ 0.3Hz Sweeping	T 2	T 5
T 9 1200/500Hz @ 1Hz - DIN / PFEER P.T.A.P.	T 15	T 2
T 10 2400/2900Hz @ 2Hz Alternating	T 7	T 5
T 11 1000Hz @ 1Hz Intermittent	T 2	T 5
T 12 800/1000Hz @ 0.875Hz Alternating	T 4	T 5
T 13 2400Hz @ 1Hz Intermittent	T 15	T 5
T 14 800Hz 0.25sec on, 1 sec off Intermittent	T 4	T 5
T 15 800Hz Continuous	T 2	T 5
T 16 660Hz 150mS on, 150mS off Intermittent	T 18	T 5
T 17 544Hz (100mS)/440Hz (400mS) - NF S 32-001	T 2	T 27
T 18 660Hz 1.8sec on, 1.8sec off Intermittent	T 2	T 5
T 19 1.4KHz-1.6KHz 1s, 1.6KHz-1.4KHz 0.5s -NFC48-265	T 2	T 5
T 20 660Hz Continuous	T 2	T 5
T 21 554Hz/440Hz @ 1Hz Alternating	T 2	T 5
T 22 544Hz @ 0.875 sec. Intermittent	T 2	T 5
T 23 800Hz @ 2Hz Intermittent	T 6	T 5
T 24 800/1000Hz @ 50Hz Sweeping	T 29	T 5
T 25 2400/2900Hz @ 50Hz Sweeping	T 29	T 5
T 26 Bell	T 2	T 15
T 27 554Hz Continuous	T 26	T 5
T 28 440Hz Continuous	T 2	T 5
T 29 800/1000Hz @ 7Hz Sweeping	T 7	T 5
T 30 300Hz Continuous	T 2	T 5
T 31 660/1200Hz @ 1Hz Sweeping	T 26	T 5
T 32 Two T chime.	T 26	T 15