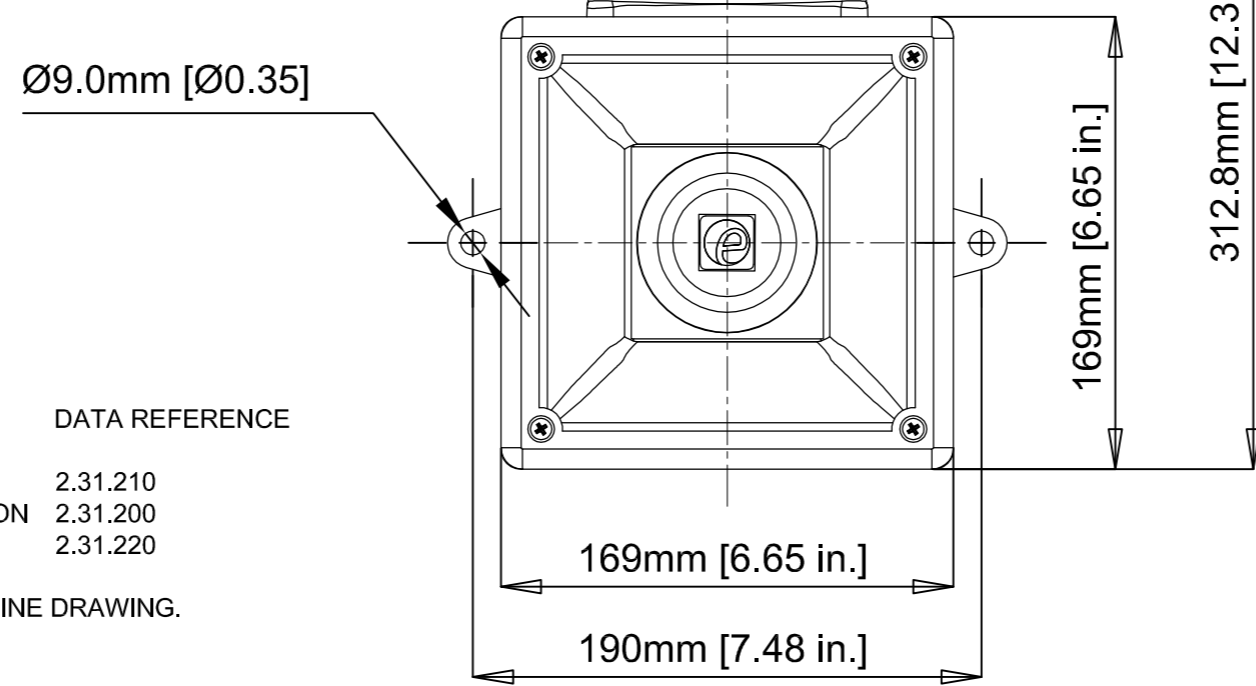
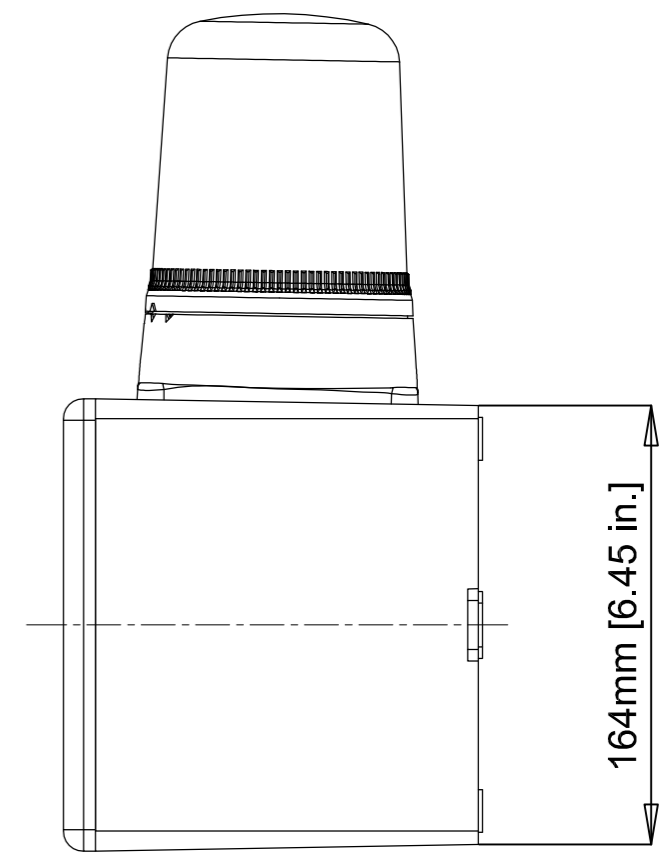
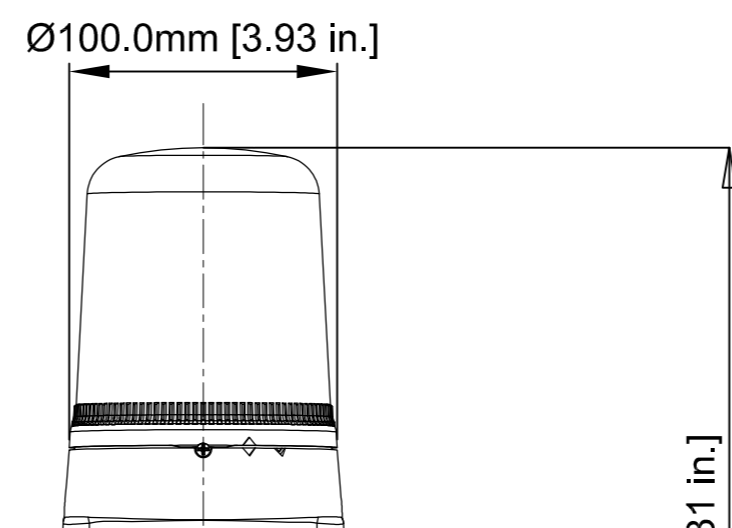
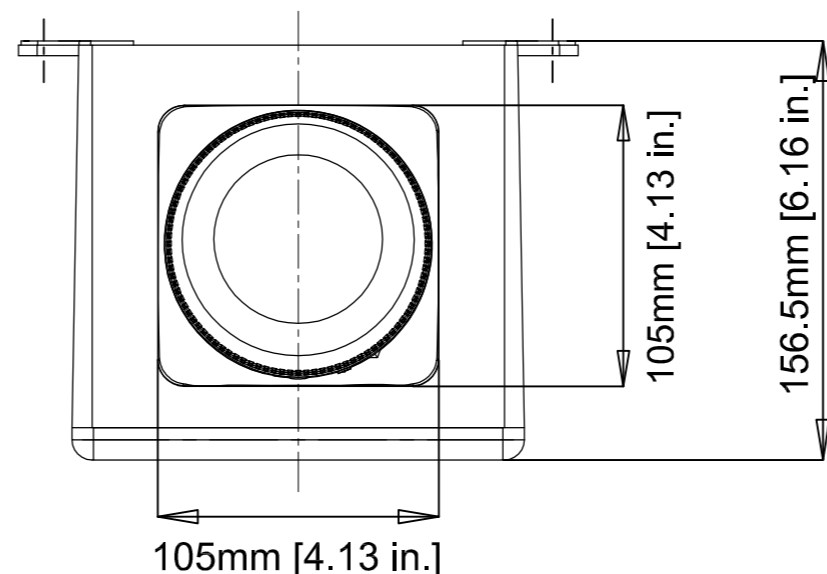


ISSUE	MOD No.	REASON - INITIAL - DATE
A		INTRODUCTION OF PART RNP 22-07-08
B		UPDATED TO DUAL DIMS. RSR 21-06-13



E2S PART NO.	DESCRIPTION	DATA REFERENCE
AB112STR...	AB112STR ALARM SOUNDER & XENON STROBE	2.31.210
AB112RTH...	AB112RTH ALARM SOUNDER & ROTATING BEACON	2.31.200
AB112LDA...	AB112LDA ALARM SOUNDER & L.E.D BEACON	2.31.220

WHERE APPLICABLE '-UL' VERSIONS ARE COVERED BY THIS OUTLINE DRAWING.

DRAWING TO BS8888:2000 GEOMETRIC TOLERANCES TO ISO1101:1983 LINEAR DIMENSIONAL TOLS ANGULAR DIMENSIONAL TOLS	DRAWN R.N.POTTS	DATE 22:07:08	SURFACE FINISH FINISH	WEIGHT (Kg)	THIS DRAWING AND ANY INFORMATION OR DESCRIPTIVE MATTER THEREIN IS COMMUNICATED IN CONFIDENCE AND IS THE COPYRIGHT PROPERTY OF EUROPEAN SAFETY SYSTEMS LTD. NEITHER THE WHOLE OR ANY EXTRACT MAY BE DISCLOSED, LOANED, COPIED OR USED FOR MANUFACTURING OR TENDERING PURPOSES WITHOUT THEIR WRITTEN CONSENT.	 EUROPEAN SAFETY SYSTEMS LTD IMPRESS HOUSE MANSELL ROAD ACTON LONDON W3 7QH WWW.E2S.COM	ALL DIMENSIONS IN MM & [in.] IF IN DOUBT, ASK - DO NOT SCALE	 A2
	STANDARDS AB RANGE	CHECKED R.N.POTTS	DATE 22:07:08	MATERIAL			TITLE AB112STR GENERAL OUTLINE DRAWING A112N SOUNDER WITH B300STR	
	APPROVED R.N.POTTS	DATE 22:07:08	ALTERNATIVE MATERIAL	 EUROPEAN SAFETY SYSTEMS LTD. AS PER LATEST DATE OF ISSUE SHOWN ABOVE	SCALE 1:2	SHEET 1 OF 1	DRAWING NUMBER SK0036	