

# B300FLF Blinking Beacon [Filament Lamp]

The B300 series is comprised of a Xenon strobe beacon, permanent filament bulb or halogen beacon, blinking filament bulb or halogen beacon, rotating beacon and a multi-function LED array beacon.

The surface mount base can also be supplied with a right angle bracket or with a pole mounted assembly.

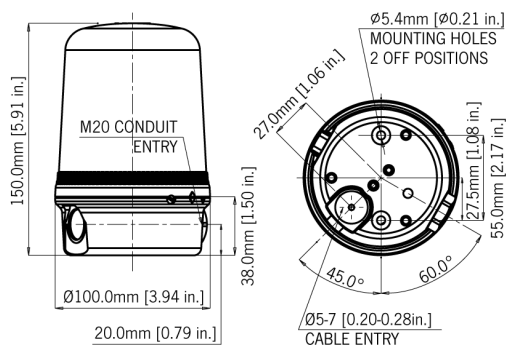
## Features

- Bayonet fixing lens.
- Anti-tamper locking screw.
- Stainless steel fixings.
- User selectable flash frequencies.

## Approvals

- GOST-R certificate: POCC GB.JB05.H00144.





### Specification

Light source:	Filament lamp E14
Light output:	25W
Flash frequency:	User selectable during installation: 0.5Hz, 1Hz, 2Hz
Candela:	15 cd* (peak/effective intensity)
Lens colours:	Amber, Blue, Clear, Green, Red & Yellow
Lens type:	Prismatic (standard) or plain
Mounting:	Surface mount (right angle or pole mount accessories available)
Entries:	1 x 5-7mm push through grommet 1 x M20 cable entry
Dimensions:	Ø100 x 150mm
Ingress protection:	IP65
Housing material:	High impact UL94 V0 (f1) PC
Lens material:	High impact UL94 V0 (f1) PC
Terminals:	1.5 mm <sup>2</sup> flying lead assembly
Operating temp:	-25 to +50°C [-13° to +122 °F]
Storage temp:	-40 to +70°C [-40° to +158°F]
Relative humidity:	90% at 20°C [68°F]
Weight:	370g/0.81lbs

\*Candela measurements representative of performance with clear lens at optimum voltage

### Part Codes

Version:	Wattage	Part code:
12V dc	25W	B300FLF012B/[x]
24V dc	25W	B300FLF024B/[x]
48V dc	25W	B300FLF048B/[x]
115V ac	25W	B300FLF115B/[x]
230V ac	25W	B300FLF230B/[x]

[x] = Lens colour: A: Amber  
B: Blue  
C: Clear  
G: Green  
R: Red  
Y: Yellow

### Current Consumption

Version:	Current mA:	
12V dc	1.75A	
24V dc	1.1A	
48V dc	0.8A	
115V ac	50/60Hz	255mA
230V ac	50/60Hz	130mA