

# SPECTRA B300SLH

Permanent Status Beacon  
 G6,35/GY6,35 Halogen bulb  
 IP Rating: IP65  
 Temp: -25°C to +50°C  
 Unit weight: 262g  
 CE

Dimensions : Ø100 x 150mm  
 1.5mm<sup>2</sup> terminals  
 Cable entry: 1 x 5-7mm push through  
 grommet  
 1 x M20 cable entry ( IP65)

Order code                      Voltage  
 B300SLH250B/x 12-250V

X = Lens colour  
 R = Red                              A = Amber  
 B = Blue                             C = Clear  
 G = Green                          Y = Yellow

## Mountings

B300RAB001 Right angle bracket  
 B300TMA001 Tube mounting assembly

Bulb Type G6,35 / GY6,35


B300SLH unit is supplied without a bulb  
 Please order correct voltage and wattage


E2S Part No.	Version
BJC20W12VCL	12V 20W
BJC20W24VCL	24V 20W
BJC25W120VCL	115V 25W
BJC25W230VCL	230V 25W

Tel : +44 (0)2 8743 8880 Fax : +44 (0)20 8740 4200  
 email : sales@e2s.com web : www.e2s.com



 **ATTENTION:** Installation must be carried out by an electrician in compliance with the latest codes and regulations.

 **ATTENTION:** Disconnect from power source before installation or service to prevent electric shock.

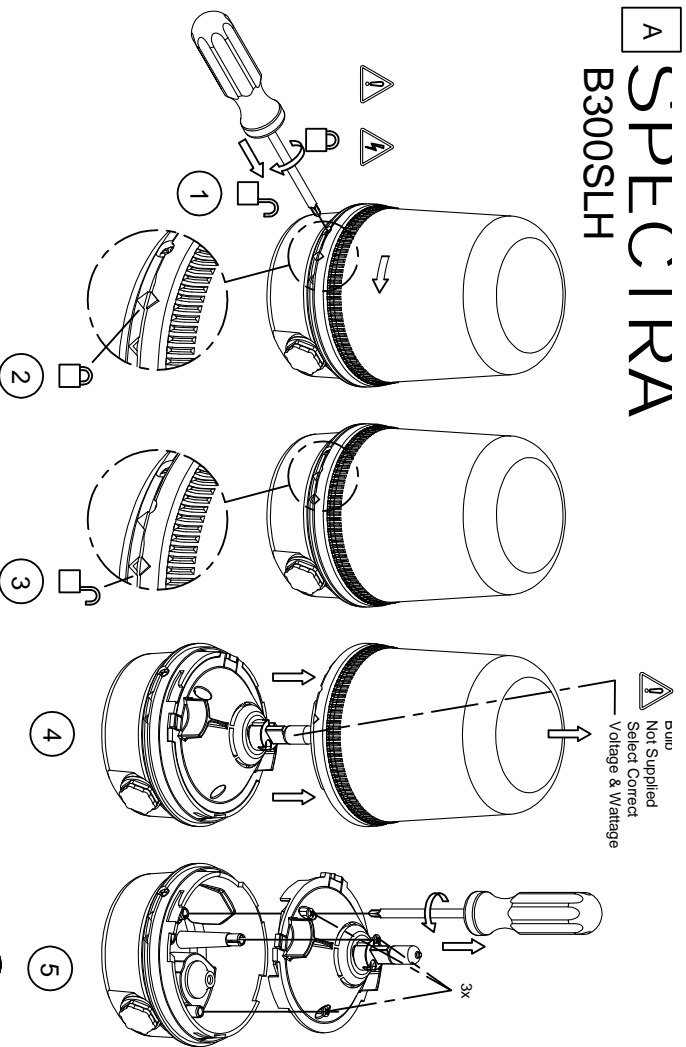
 **ATTENTION:** Lens on unit will be hot allow to cool prior to removal.

 **ATTENTION:** Do not touch the surface of halogen bulb when changing



# A SPECIIRA

## B300SLH

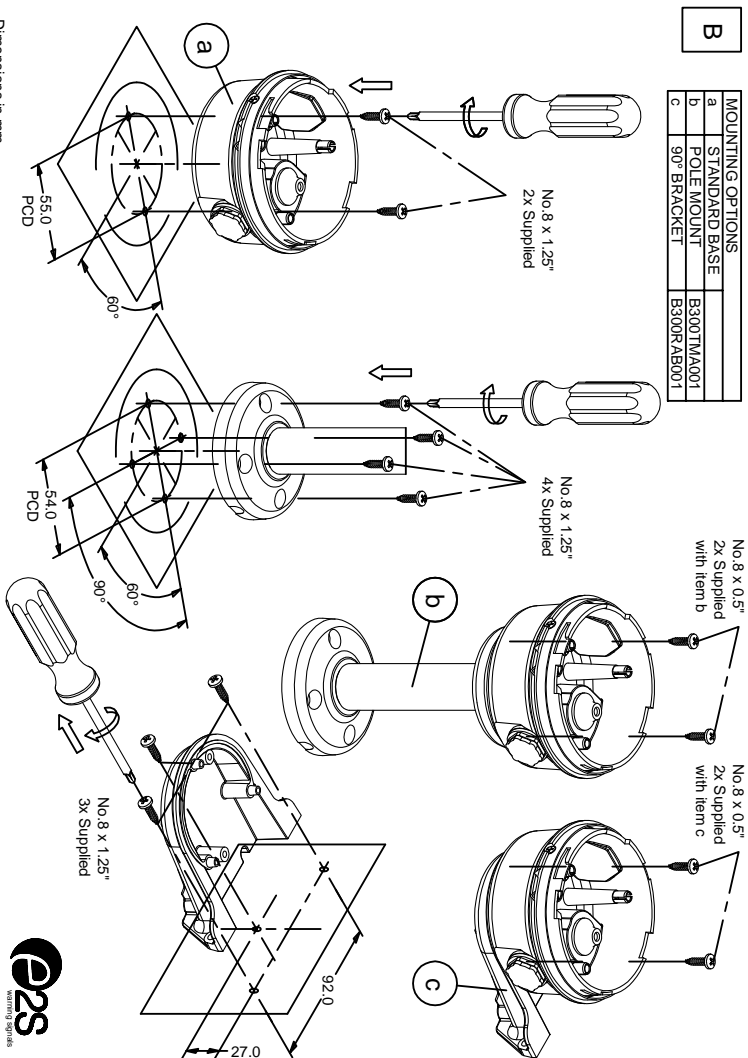


**Bulb**  
Not Supplied  
Select Correct  
Voltage & Wattage

Tel : +44 (0)20 8743 8880 Fax : +44 (0)20 8740 4200  
 email : sales@e2s.com web : www.e2s.com



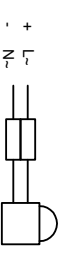
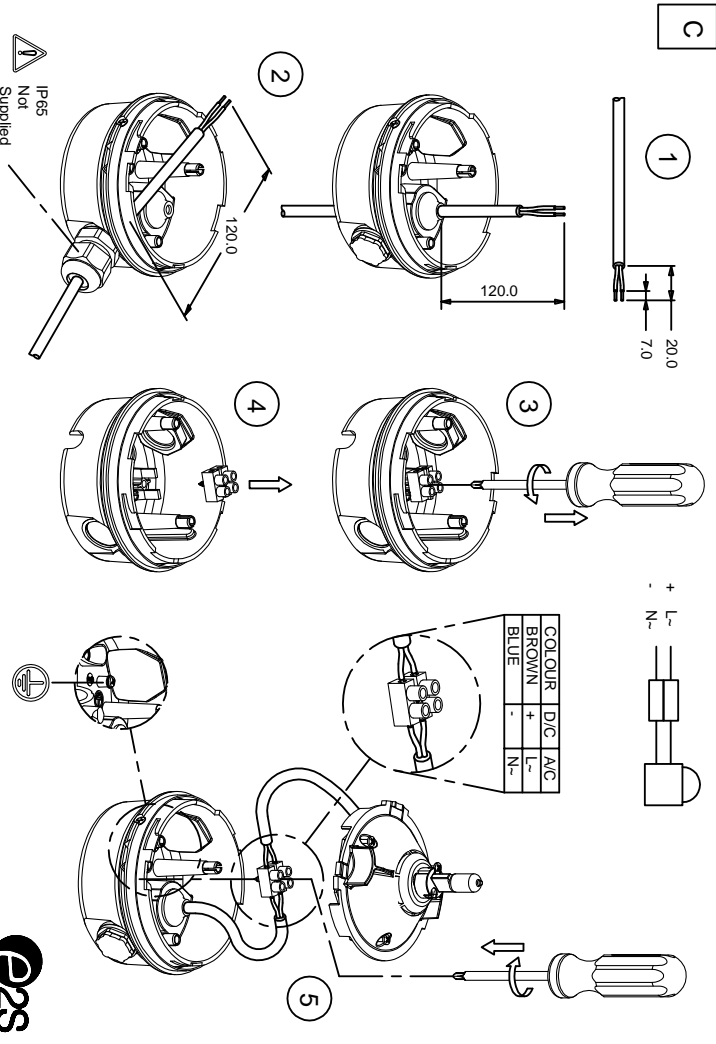
MOUNTING OPTIONS	
a	STANDARD BASE
b	POLE MOUNT
c	90° BRACKET



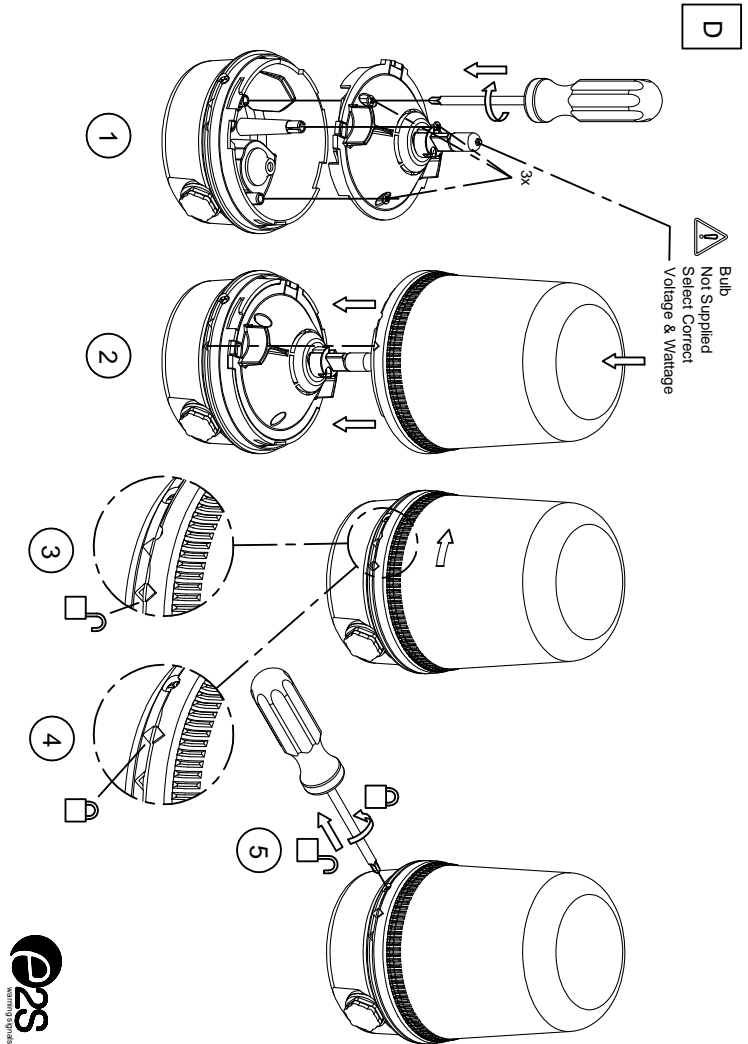
Dimensions in mm



### C



### D



**Bulb**  
Not Supplied  
Select Correct  
Voltage & Wattage

01-10-00-001-15-SHTZ-155UE\_B

