

B400FLF Blinking Beacon [Filament Lamp]

The B400 series comprises Xenon strobe beacons, permanent filament bulb or halogen beacon, blinking filament bulb or halogen beacon, rotating halogen beacon and a multi-function LED array beacon.

The surface mount base can also be supplied with a right angle bracket or with a pole mounted assembly.

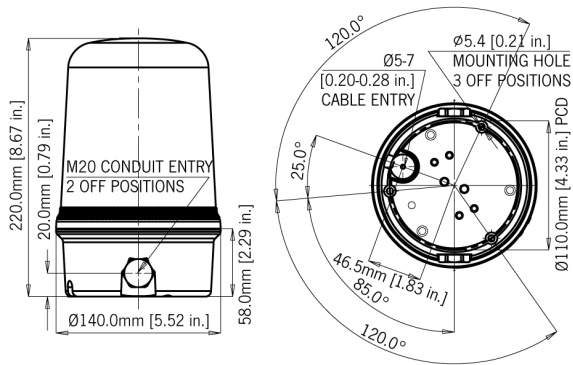
Features

- Bayonet fixing lens.
- Anti-tamper locking screw.
- Stainless steel fixings.
- Multiple cable entries

Approvals

- GOST-R certificate: POCC GB.JB05.H00144.





Specification

Light source:	Filament lamp E14
Light output:	40W
Flash frequency:	User selectable during installation: 0.5Hz, 1Hz, 2Hz
Candela:	29 cd* (peak/effective intensity)
Lens colours:	Amber, Blue, Clear, Green, Red & Yellow\
Lens type:	Prismatic (standard) or plain
Mounting:	Surface mount (right angle or pole mount accessories available)
Entries:	1 x 5-7mm push through grommet 2 x M20 cable entry
Dimensions:	ø140 x 220mm
Ingress protection:	IP65
Housing material:	High impact UL94 V0 (f1) PC
Lens material:	High impact UL94 V0 (f1) PC
Terminals:	1.5 mm ² flying lead assembly
Operating temp:	-25 to +50°C [-13° to +122 °F]
Storage temp:	-40 to +70°C [-40° to +158°F]
Relative humidity:	90% at 20°C [68°F]
Weight:	535g/1.17lbs

*Candela measurements representative of performance with clear lens at optimum voltage.

Part Codes

Version:	Wattage:	Part code:
24V dc	40W	B400FLF024B/[x]
24V ac	40W	B400FLF24AB/[x]
115V ac	40W	B400FLF115B/[x]
230V ac	40W	B400FLF230B/[x]

[x] = Lens colour:

A: Amber
B: Blue
C: Clear
G: Green
R: Red
Y: Yellow

Current Consumption

Version:	Current mA:
24V dc	1.7A
24V ac	1.5A
115V ac	50/60Hz 340mA
230V ac	50/60Hz 178mA