

SPECTRA B400FLF

Flashing Beacon
 E14 Filament bulb
 Three selectable frequencies on PCB
 IP Rating: IP65
 Temp: -25°C to +50°C
 Unit weight: 535g
 CE

Order code Voltage
 B400FLF012B/x 12V DC 4.0A
 B400FLF024B/x 24V DC 1.7A
 B400FLF24AB/x 24 AC 1.5A

B400FLF115B/x 115V AC 340mA
 B400FLF230B/x 230V AC 178mA

Mountings
 B400RAB001 Right angle bracket
 B400TMA001 Tube mounting assembly

Dimensions : Ø140 x 225mm
 1.5mm² terminals
 Cable entry: 1 x 5-7mm push through
 grommet
 2 x M20 cable entry (IP65)

x = Lens colour
 R = Red A = Amber
 B = Blue C = Clear
 G = Green Y = Yellow

Bulb Type E14

Version
 12V 40W
 24V 40W
 115V 40W
 230V 40W

E2S Part No.
 BG351240E
 BG352440E
 B457513040E
 B457523040E

Tel : +44 (0)20 8743 8880 Fax : +44 (0)20 8740 4200
 mail : sales@e2s.com web : www.e2s.com



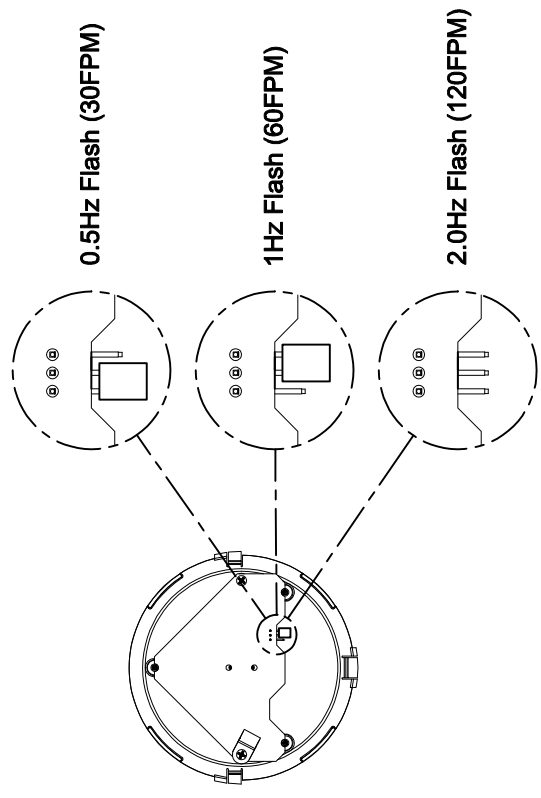
ATTENTION: Installation must be carried out by an electrician in compliance with the latest codes and regulations.

ATTENTION: Disconnect from power source before installation or service to prevent electric shock.

ATTENTION: Lens on unit will be hot allow to cool prior to removal.

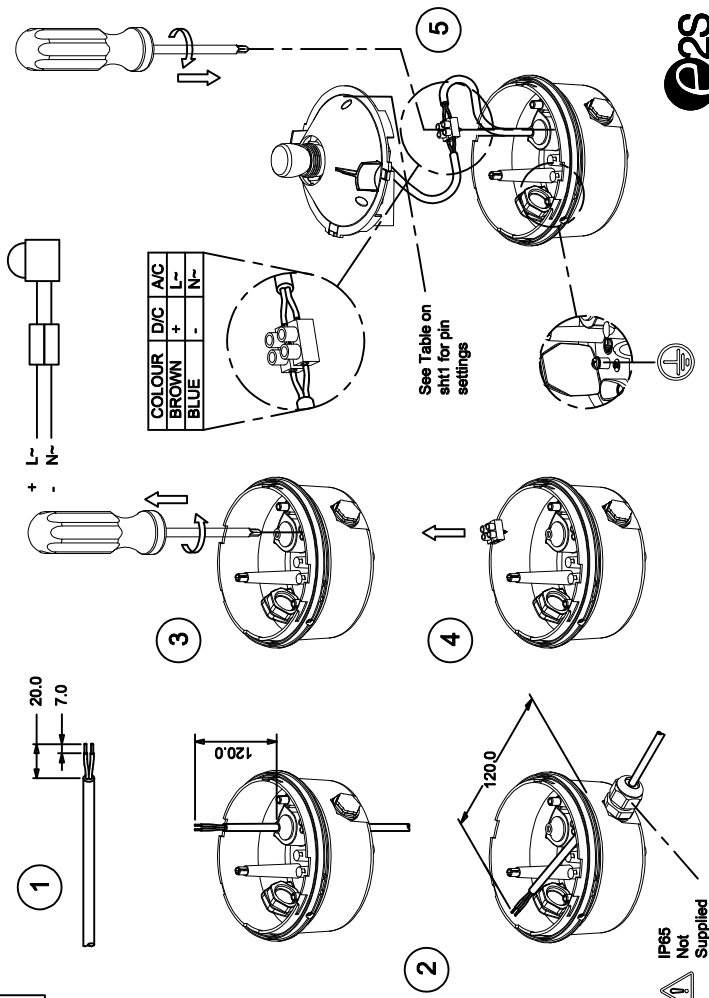


B400FLF

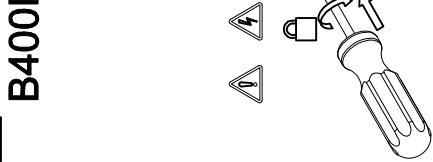


A SPECTRA B400FLF

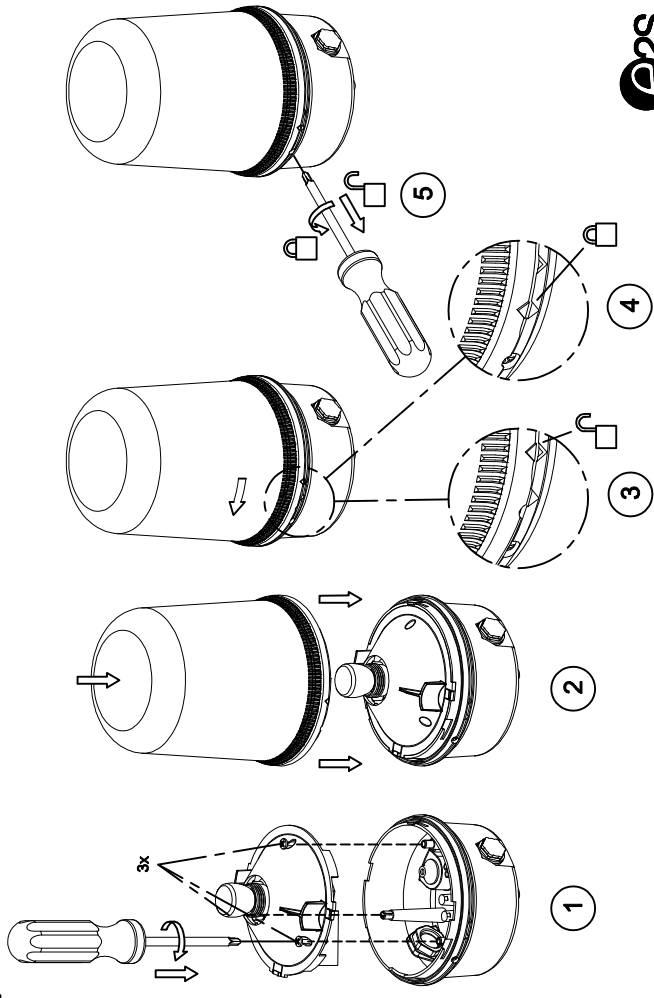
C



A

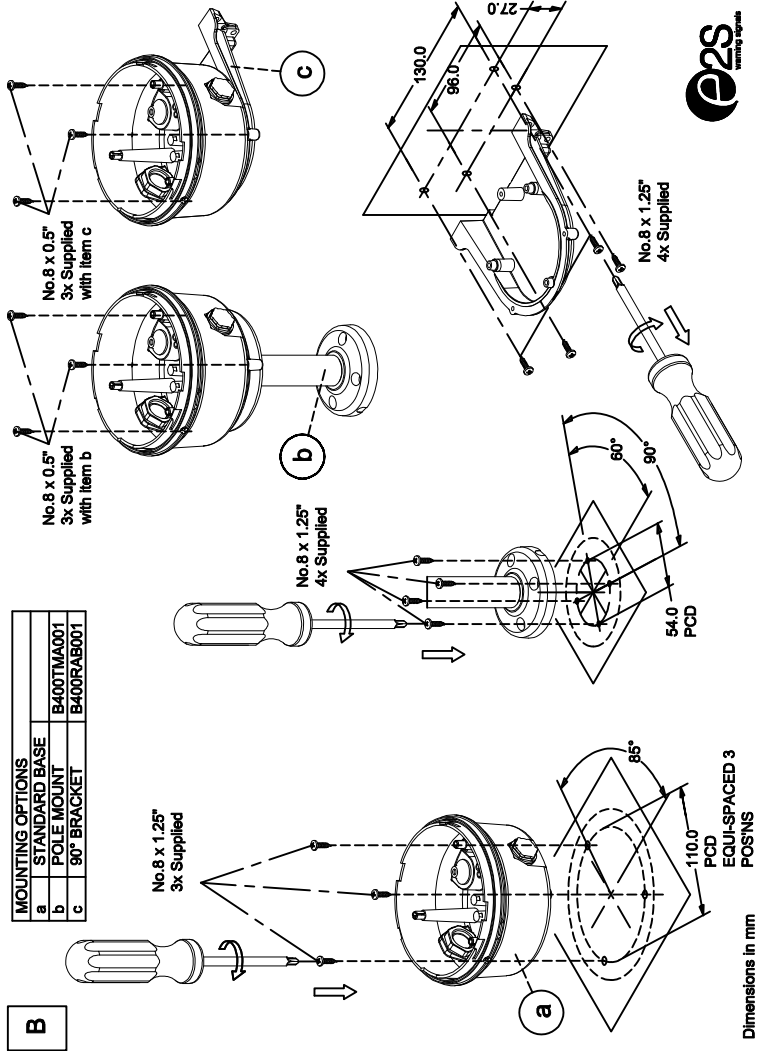


D



D121-00-101-18_BRTZ_ISSUE_D

B



Tel: +44 (0)20 8743 8880 Fax: +44 (0)2 8740 4200
 mail: sales@e2s.com web: www.e2s.com