

B400SLF Status Beacon [Filament Lamp]

The B400 series comprises Xenon strobe beacons, permanent filament bulb or halogen beacon, blinking filament bulb or halogen beacon, rotating halogen beacon and a multi-function LED array beacon.

The surface mount base can also be supplied with a right angle bracket or with a pole mounted assembly.

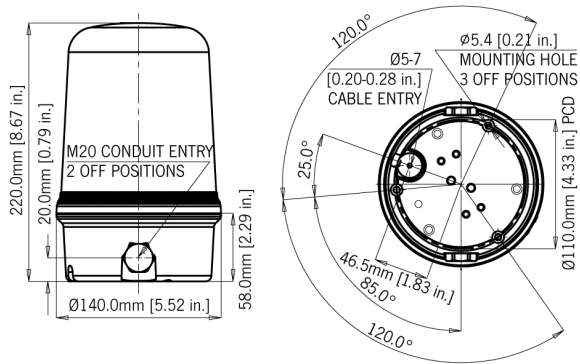
Features

- Bayonet fixing lens.
- Anti-tamper locking screw.
- Stainless steel fixings.
- Multiple cable entries.

Approvals

- GOST-R certificate: POCC GB.JB05.H00144.





Specification

Light source:	Filament lamp E14
Light output:	40W
Function:	Permanent
Candela:	27 cd* (peak/effective intensity)
Lens colours:	Amber, Blue, Clear, Green, Red & Yellow
Lens type:	Prismatic (standard) or plain
Mounting:	Surface mount (right angle or pole mount accessories available)
Entries:	1 x 5-7mm push through grommet 2 x M20 cable entry
Dimensions:	Ø140 x 220mm
Ingress protection:	IP65
Housing material:	High impact UL94 V0 (f1) PC
Lens material:	High impact UL94 V0 (f1) PC
Terminals:	1.5 mm ² flying lead assembly
Operating temp:	-25 to +50°C
Storage temp:	-40 to +70°C
Relative humidity:	90% at 20°C.
Weight:	535g

*Candela measurements representative of performance with clear lens at optimum voltage.

Part Codes

Version:	Wattage:	Part code:
12-250V	40W	B400SLF250B/[x]
[x]= Lens colour:	A: Amber B: Blue C: Clear G: Green R: Red Y: Yellow	

Note: Filament lamp not included - must be ordered separately.

Current Consumption

Version:	Current m A:	
12V dc	3.1A	
24V dc	2.05A	
115V ac	50/60Hz	321mA
230V ac	50/60Hz	178mA