

# SPECTRA B400SLH

Permanent Status Beacon  
G6,35/GY6,35 Halogen bulb  
IP Rating: IP65  
Temp: -25°C to +50°C  
Unit weight: 510g  
CE

Dimensions : Ø140 x 225mm  
1.5mm<sup>2</sup> terminals  
Cable entry: 1 x 5-7mm push through  
grommet  
2 x M20 cable entry (IP65)

Order code                      Voltage  
B400SLH250B/x 12-250V  
  
x = Lens colour  
R = Red                              A = Amber  
B = Blue                              C = Clear  
G = Green                            Y = Yellow

Mountings  
B400RAB001 Right angle bracket  
B400TMA001 Tube mounting assembly  
B400SLH unit is supplied without a bulb  
Please order correct voltage and wattage


Bulb Type G6,35 / GY6,35  
  
E2S Part No.                      Version  
BJC35W12VCL                      12V 35W  
BJC35W24VCL                      24V 35W  
BJC40W120VCL                      115V 40W  
BJC40W230VCL                      230V 40W

Tel : +44 (0)20 8743 8880 Fax : +44 (0)20 8740 4200  
Email : sales@e2s.com Web : www.e2s.com



 **ATTENTION:** Installation must be carried out by an electrician in compliance with the latest codes and regulations.

 **ATTENTION:** Disconnect from power source before installation or service to prevent electric shock.

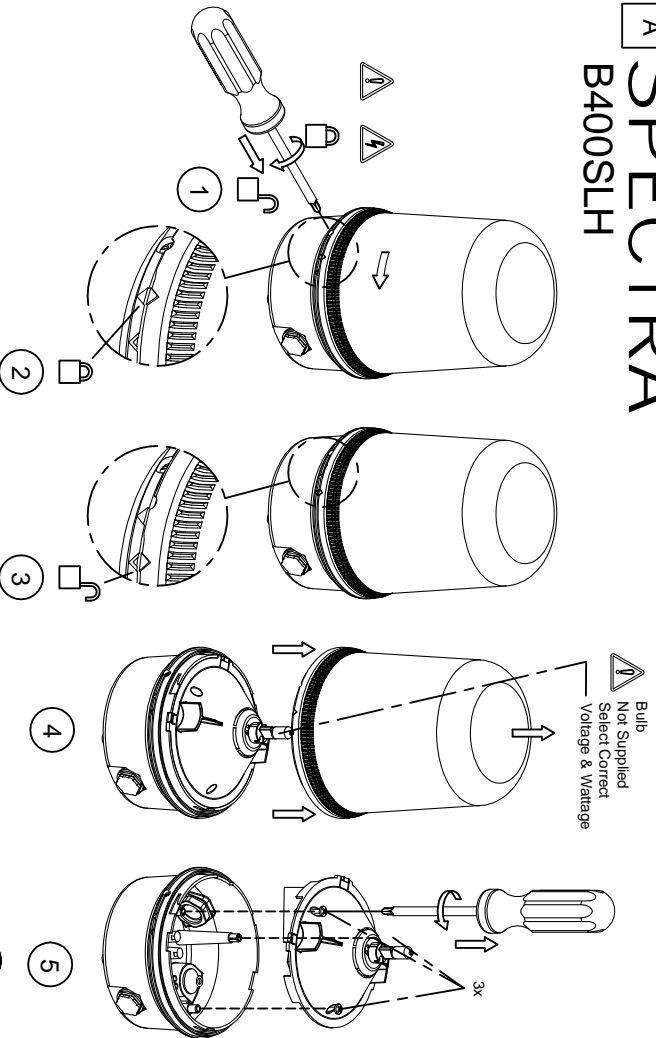
 **ATTENTION:** Lens on unit will be hot allow to cool prior to removal.

 **ATTENTION:** Do not touch the surface of the halogen bulb when changing



# A SPECIIRA

## B400SLH

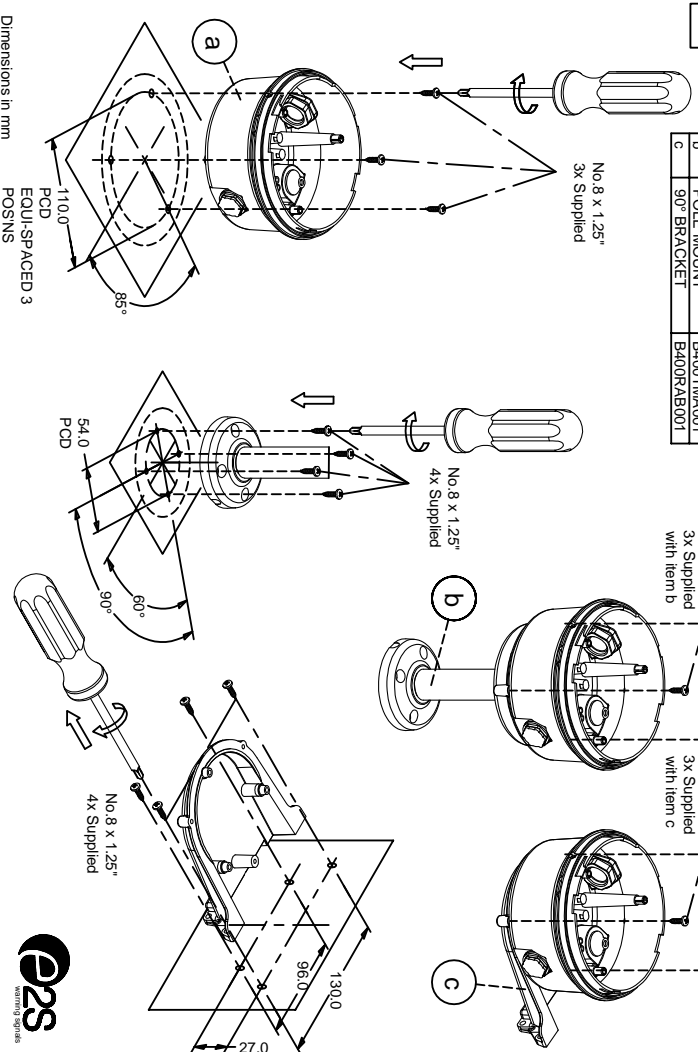


Tel: +44 (0)20 8743 8880 Fax: +44 (0)2 8740 4200  
 Mail: sales@e2s.com Web: www.e2s.com

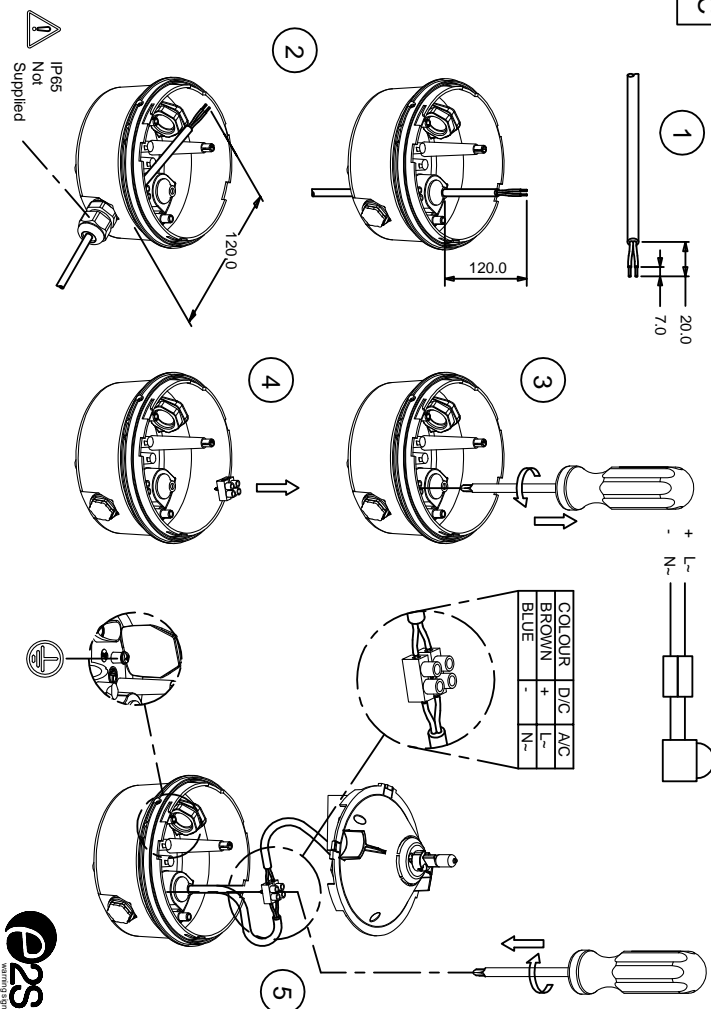


### B

MOUNTING OPTIONS	
a	STANDARD BASE
b	POLE MOUNT
c	90° BRACKET
	B400TMA001
	B400RAB001



### C



### D

