

1

SPECTRA B400STR

Xenon Strobe Flashing Beacon

15J Xenon Flash Tube

Three selectable modes:

- Flashing 1 Hz
- Flashing 1.5 Hz
- Double Strike

IP Rating: IP65

Temp: -25°C to +50°C

Unit weight: 696g DC 632g AC

CE

Dimensions : Ø140 x 225mm

1.5mm² terminals

Cable entry: 1 x 5-7mm push through

grommet

2 x M20 cable entry (IP65)

[X] = Lens colour

R = Red

B = Blue

G = Green

A = Amber

C = Clear

Y = Yellow

Order code

Voltage

B400STR024B/[X] 24V DC/AC 870mA

B400STR048B/[X] 48V DC/AC 480mA

B400STR115B/[X] 115V AC 400mA

B400STR230B/[X] 230V AC 225mA

Mountings

B400RAB001 Right angle bracket

B400TMA001 Tube mounting assembly

Tel : +44(0)20 8743 9880 Fax : +44(0)20 8740 4200

mail : sales@e2s.com web : www.e2s.com



2

ATTENTION: Installation must be carried out by an electrician in compliance with the latest codes and regulations.

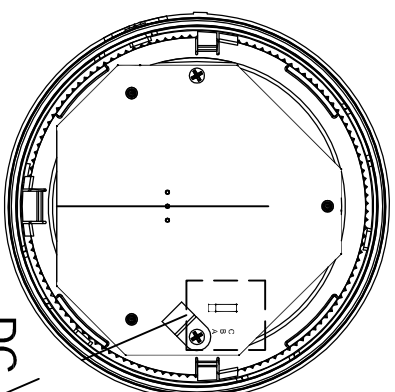
ATTENTION: Disconnect from power source before installation or service to prevent electric shock.

ATTENTION: On strobe beacons allow a minimum of 2 minutes for hazardous high voltage to discharge from unit.

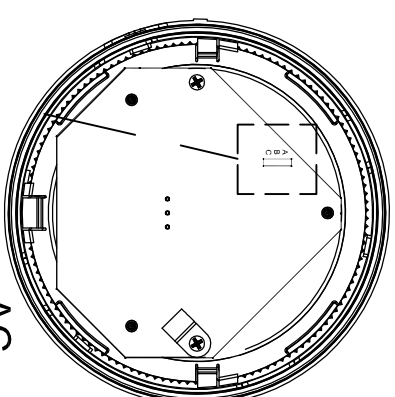
ATTENTION: Lens on unit will be hot allow to cool prior to removal.

3

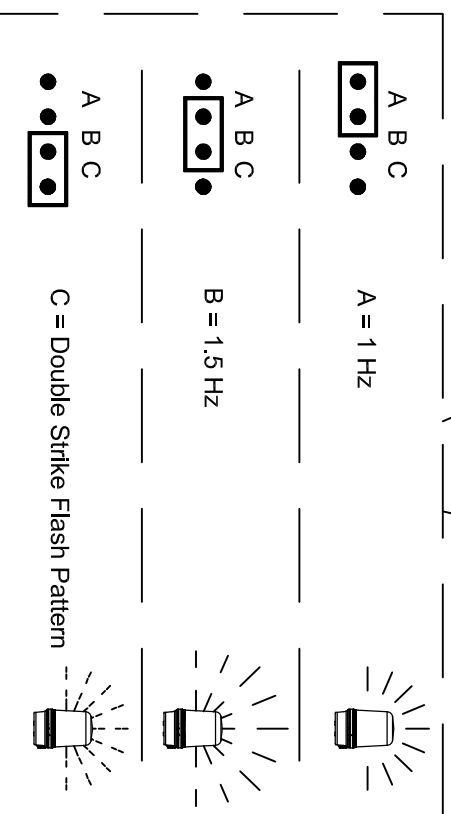
B400STR



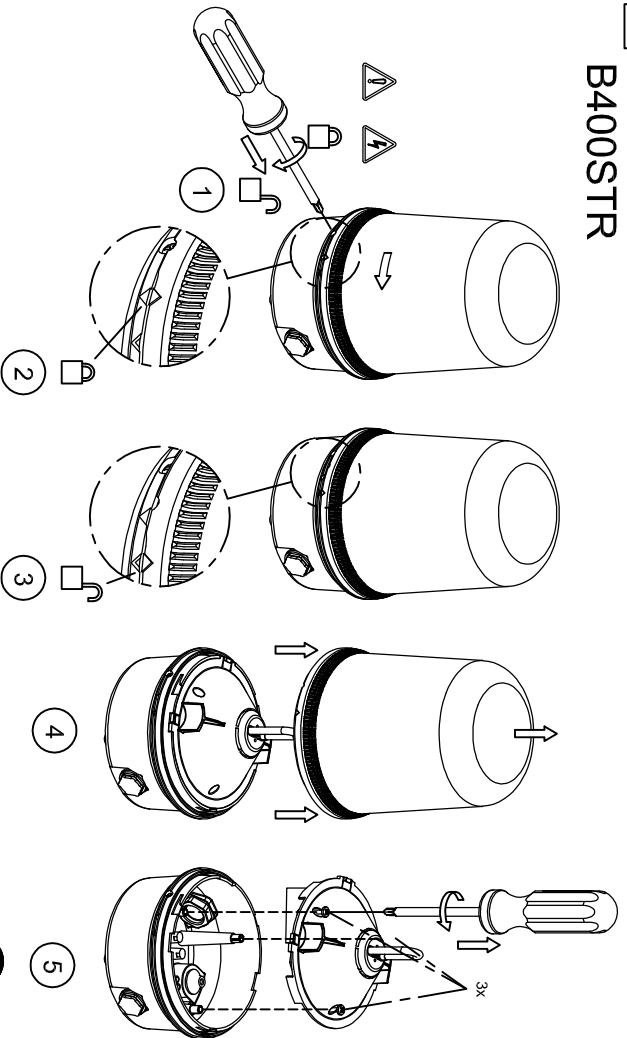
DC



AC

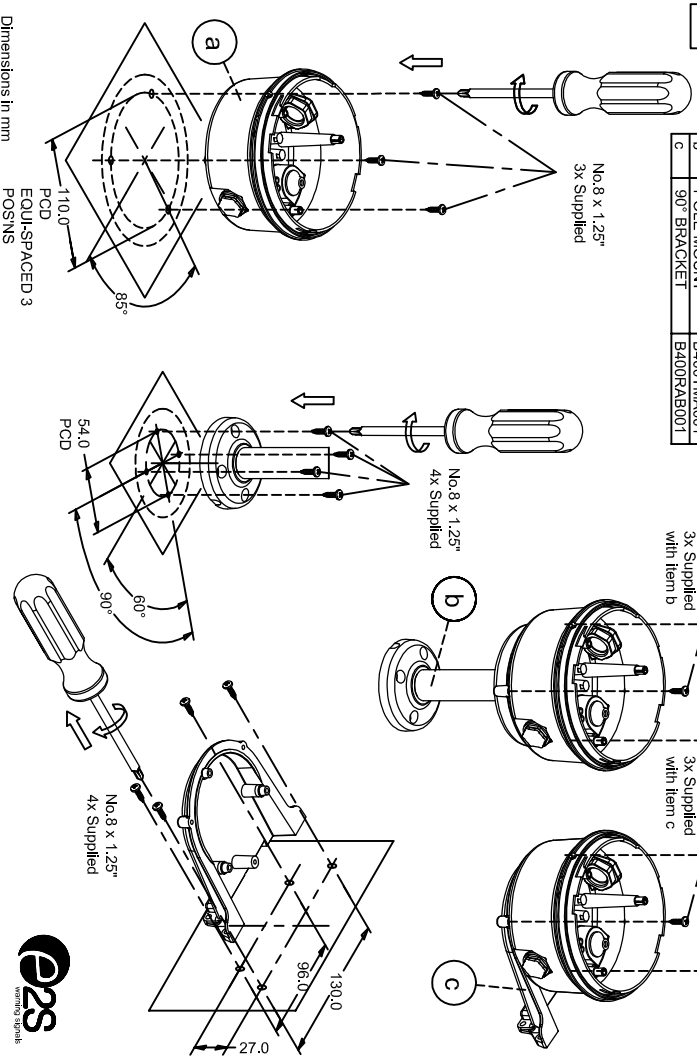


A SPECTRA B400STR



B

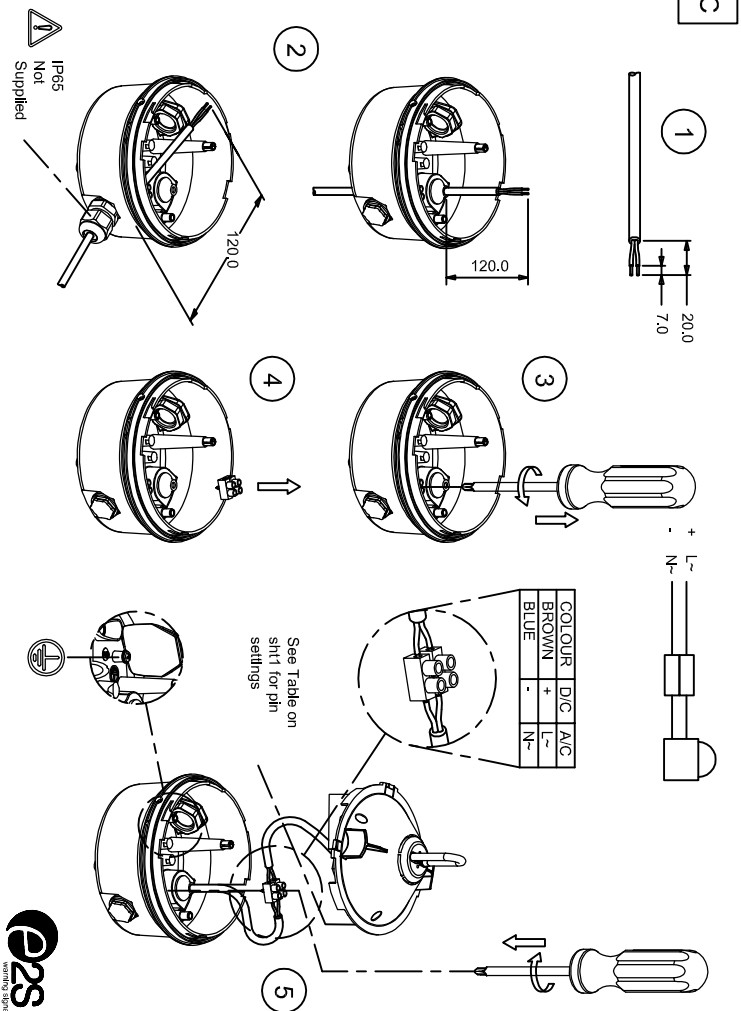
MOUNTING OPTIONS:	
a	STANDARD BASE
b	POLE MOUNT
c	90° BRACKET
	B400TT/A001
	B400RA/B001



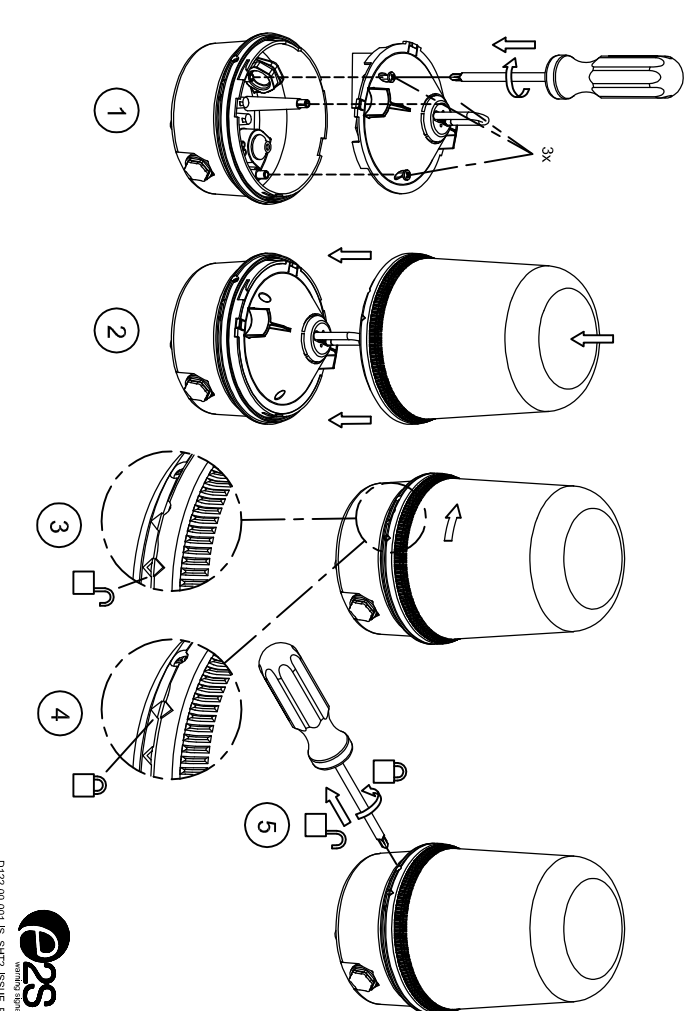
Tel: +44(0)20 8743 9880 Fax: +44(0)2 8740 4200
 Email: sales@e2s.com Web: www.e2s.com



C



D



Dimensions in mm

PCD
EQUI-SPACED 3
POS NS



D12240-001-HS_SHTZ_ISSUE 1

