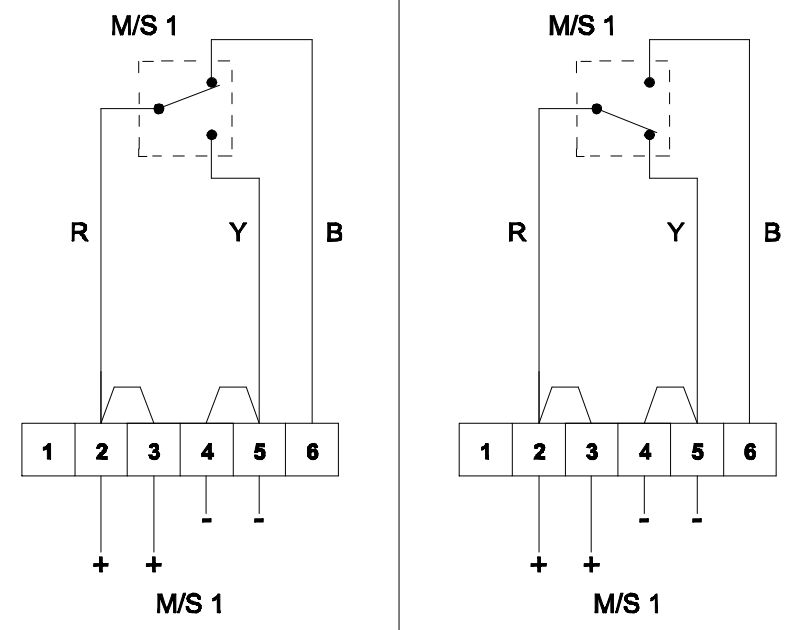


E2S PART NO.	DESCRIPTION	DATA REFERENCE
BExCP3A-BG	BExCP3A-BG BREAK GLASS MANUAL CALL POINT	1.24.070
BExCP3A-PB	BExCP3A-PB PUSH BUTTON MANUAL CALL POINT	1.24.080
BExCP3A-PT	BExCP3A-PT TOOL RESET MANUAL CALL POINT	1.24.090
IS-CP4A-BG	IS-CP4A-BG BREAK GLASS MANUAL CALL POINT	1.14.010
IS-CP4A-PB	IS-CP4A-PB PUSH BUTTON MANUAL CALL POINT	1.14.020
IS-CP4A-PT	IS-CP4A-PT TOOL RESET MANUAL CALL POINT	1.14.030

ISSUE	MOD No.	REASON - INITIAL - DATE
1		INTRODUCTION D.A.H - 07-02-2020



<p><b>Unit in 'Standby condition' unoperated</b></p> <p>Terminal +(2,3) &amp; (6) switch contacts closed</p> <p>Terminals +(2,3) &amp; -(4,5) switch contacts open</p>	<p><b>Unit in 'Operated condition' (broken glass / Button pushed in)</b></p> <p>microswitch contacts changed over</p> <p>Terminal +(2,3) &amp; (6) switch contacts open</p> <p>Terminals +(2,3) &amp; -(4,5) switch contacts closed</p>
--	---

DRAWING TO BS8888:2000  
GEOMETRIC TOLERANCES TO ISO1101:1983  
LINEAR DIMENSIONAL TOLS  
ANGULAR DIMENSIONAL TOLS

STANDARDS  
**BExCP6A CALL POINTS**

DRAWN	D.HOWGILL	DATE	07-02-20
CHECKED	R.N.POTTS	DATE	07-02-20
APPROVED	R.N.POTTS	DATE	07-02-20

SURFACE FINISH	WEIGHT (Kg)
MATERIAL	
ALTERNATIVE MATERIAL	

THIS DRAWING AND ANY INFORMATION OR DESCRIPTIVE MATTER THEREIN IS COMMUNICATED IN CONFIDENCE AND IS THE COPYRIGHT PROPERTY OF EUROPEAN SAFETY SYSTEMS LTD. NEITHER THE WHOLE OR ANY EXTRACT MAY BE DISCLOSED, LOANED, COPIED OR USED FOR MANUFACTURING OR TENDERING PURPOSES WITHOUT THEIR WRITTEN CONSENT.

© EUROPEAN SAFETY SYSTEMS LTD.  
AS PER LATEST DATE OF ISSUE SHOWN ABOVE

**2S**  
warning signals

EUROPEAN SAFETY SYSTEMS LTD  
IMPRESS HOUSE  
MANSELL ROAD  
ACTON  
LONDON W3 7QH  
WWW.E2S.COM

ALL DIMENSIONS IN MM IF IN DOUBT, ASK - DO NOT SCALE			<b>A3</b>
<b>TITLE BExCP3A-BG/PB/PT MANUAL CALL POINT WIRING SCHEMATIC</b>			
SCALE	SHEET	DRAWING NUMBER	
NTS	1 OF 1	<b>D150-06-001</b>	