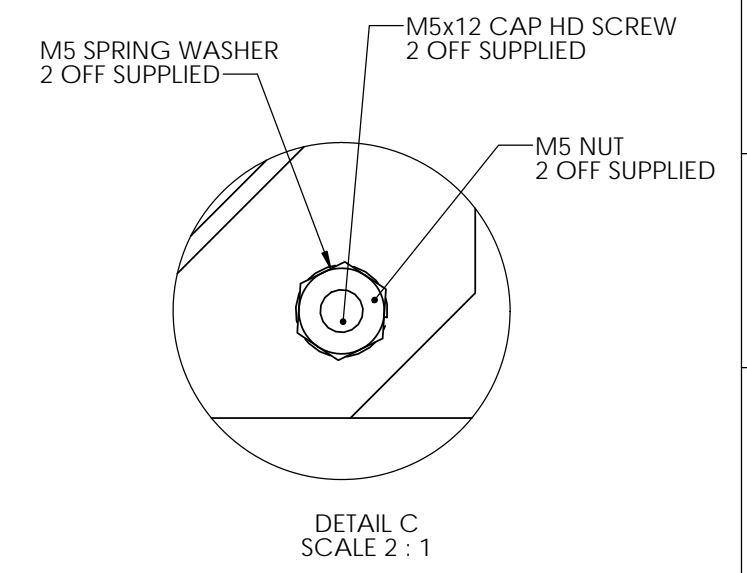
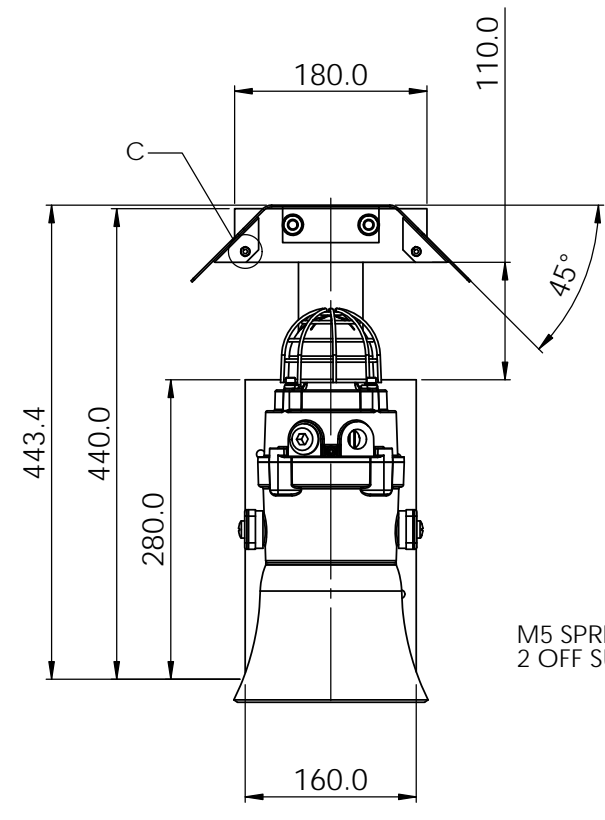
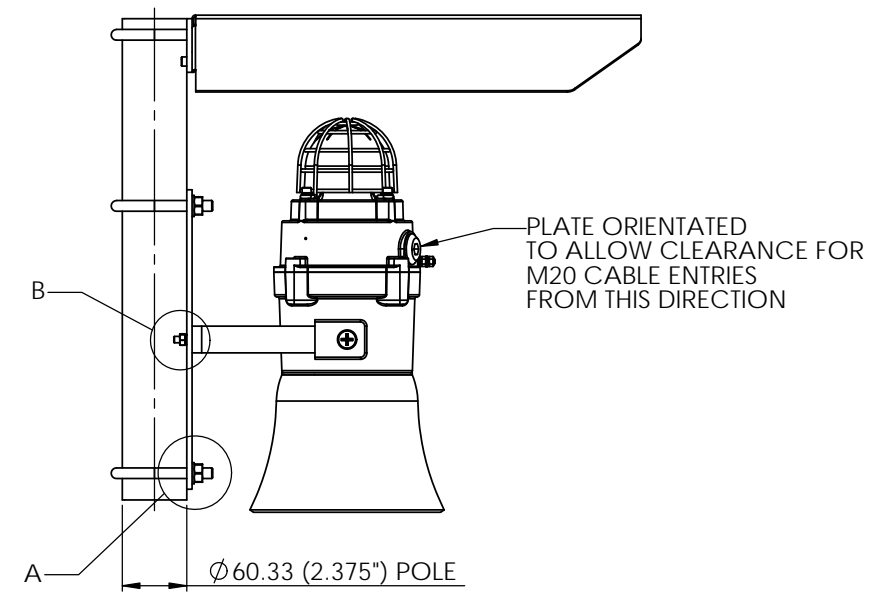
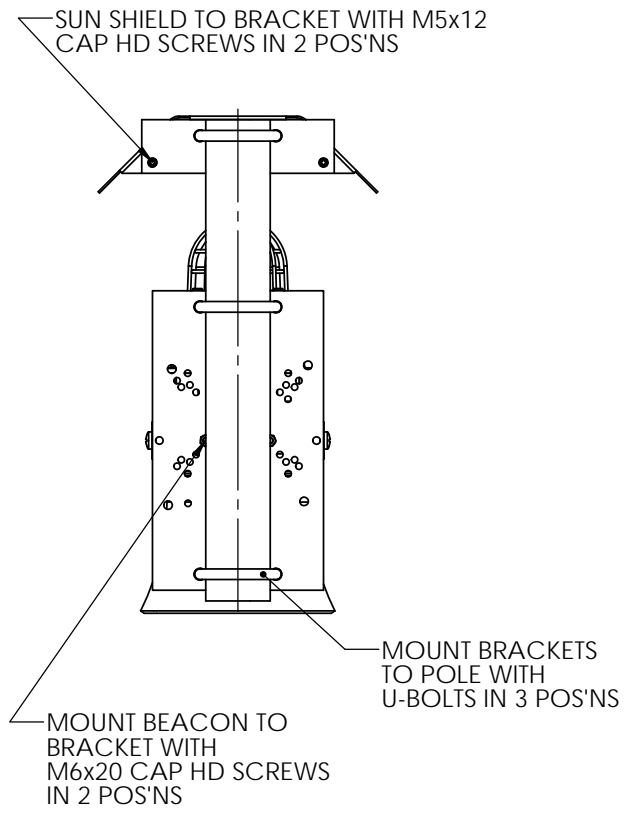
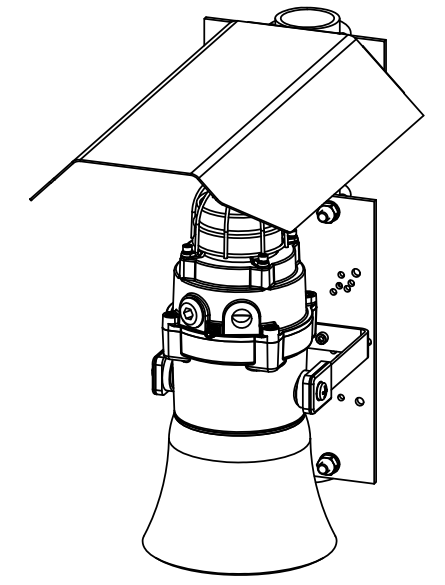
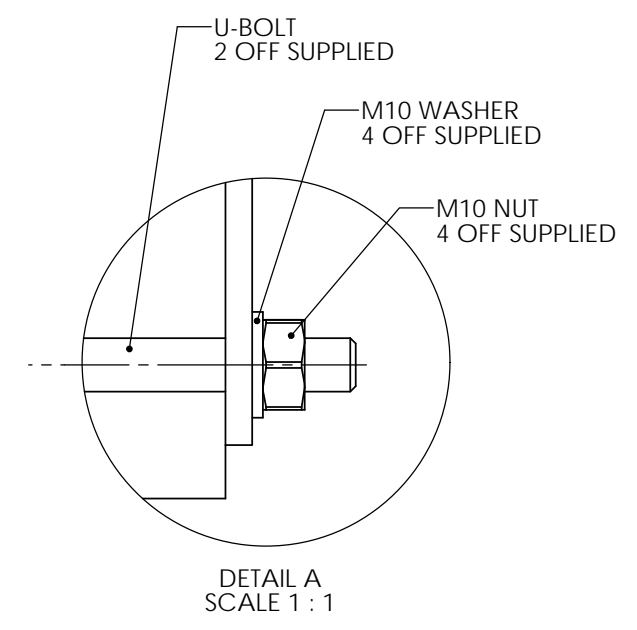
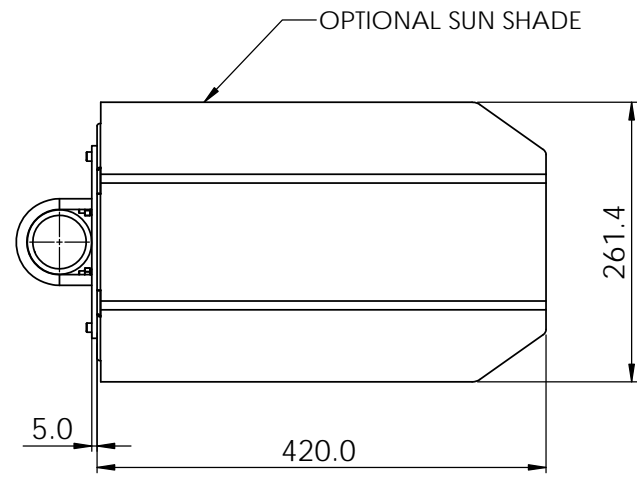
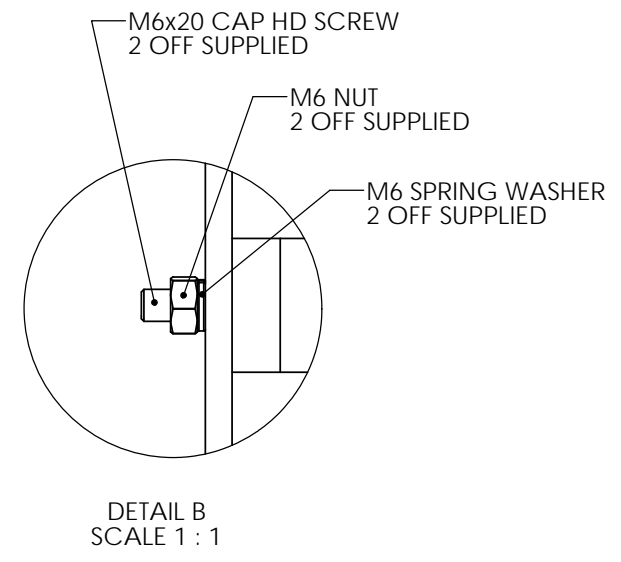


ISSUE	MOD No.	REASON - INITIAL - DATE
A		Introduction MV 05/01/18
B		Various changes to notes DAH 27/07/2018



Part Codes:	Description:
SP65-0001-A2	Pole Mount Bracket Kit 2" St/St A2 (304)
SP65-0001-A4	Pole Mount Bracket Kit 2" St/St A4 (316)
SP65-0003-A2	Sunshade - St/St A2 (304)
SP65-0003-A4	Sunshade - St/St A4 (316)

DRAWING TO BS8888:2000 GEOMETRIC TOLERANCES TO ISO1101:1983 LINEAR DIMENSIONAL TOLS ANGULAR DIMENSIONAL TOLS	DRAWN	DATE	SURFACE FINISH FINISH	WEIGHT (Kg)	THIS DRAWING AND ANY INFORMATION OR DESCRIPTIVE MATTER THEREIN IS COMMUNICATED IN CONFIDENCE AND IS THE COPYRIGHT PROPERTY OF EUROPEAN SAFETY SYSTEMS LTD. NEITHER THE WHOLE OR ANY EXTRACT MAY BE DISCLOSED, LOANED, COPIED OR USED FOR MANUFACTURING OR TENDERING PURPOSES WITHOUT THEIR WRITTEN CONSENT.
	M.VYAS	05/01/18			
	CHECKED	DATE			
STANDARDS	R.N.POTTS	05/01/18	MATERIAL		EUROPEAN SAFETY SYSTEMS LTD. AS PER LATEST DATE OF ISSUE SHOWN ABOVE
	APPROVED	DATE	ALTERNATIVE MATERIAL		
	R.N.POTTS	05/01/18			

e2s
warning signals
EUROPEAN SAFETY SYSTEMS LTD
IMPRESS HOUSE
MANSELL ROAD
ACTON
LONDON W3 7QH
WWW.E2S.COM

ALL DIMENSIONS IN MM IF IN DOUBT, ASK - DO NOT SCALE				A2
TITLE DN 50mm (NPS 2") POLE & SUN SCREEN BExCS110 COMBINED HORN & BEACON				
SCALE	SHEET	DRAWING NUMBER		
1:1	1 OF 1	D217-05-601		