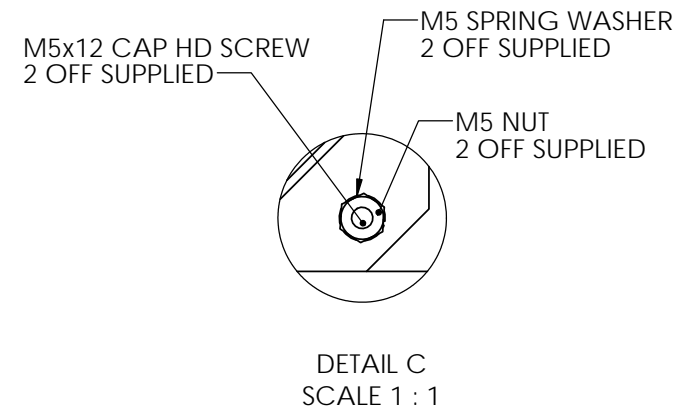
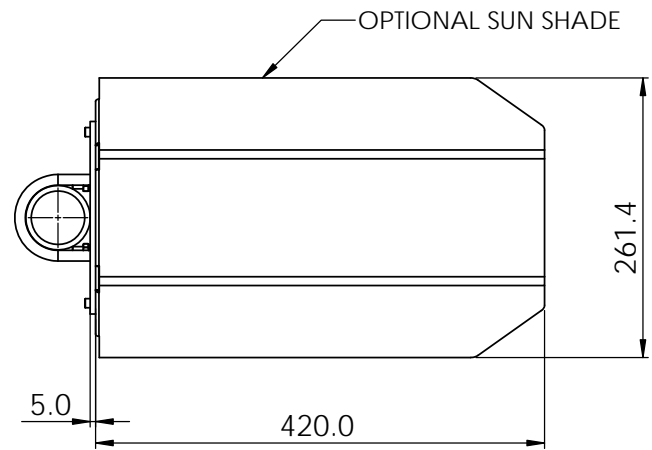
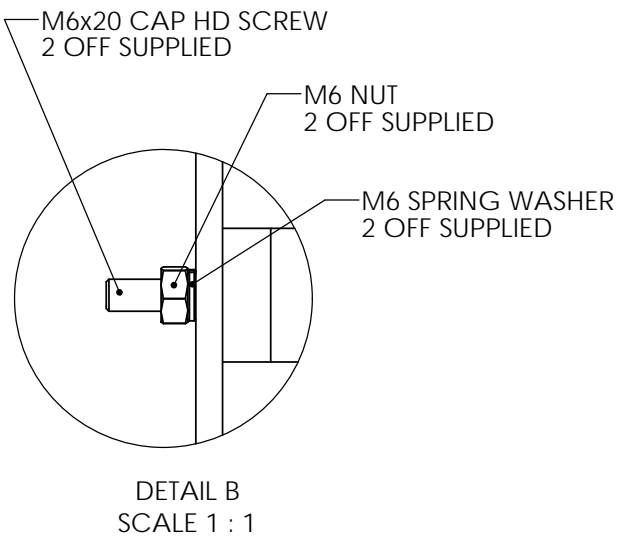
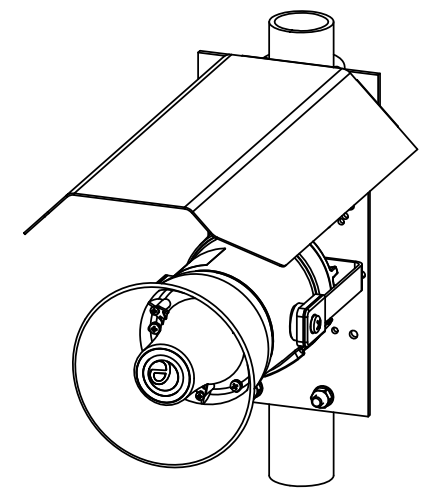
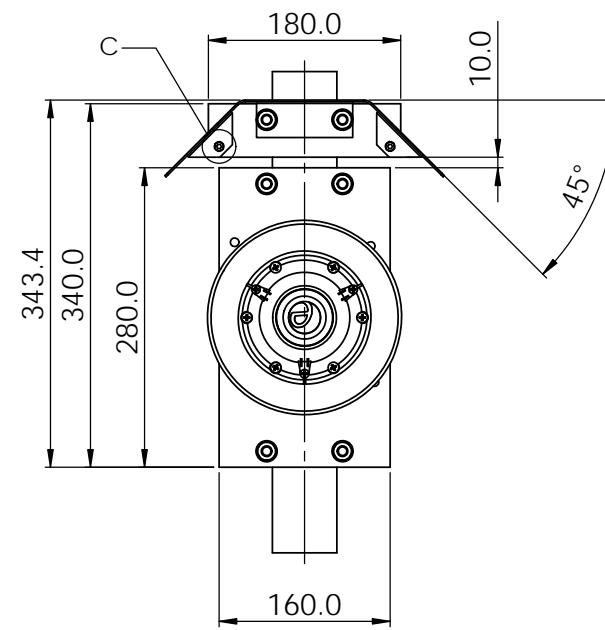
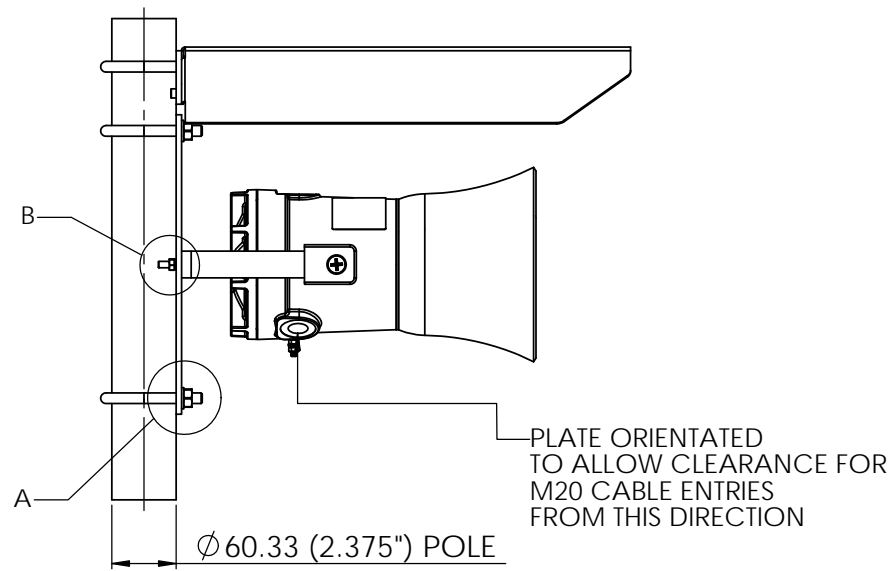
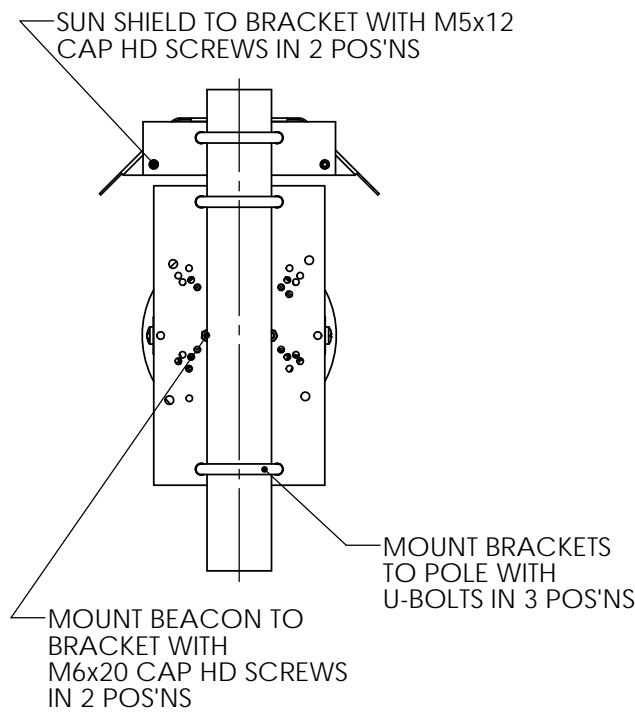


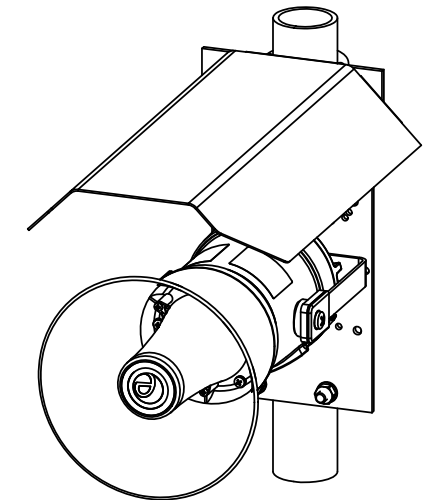
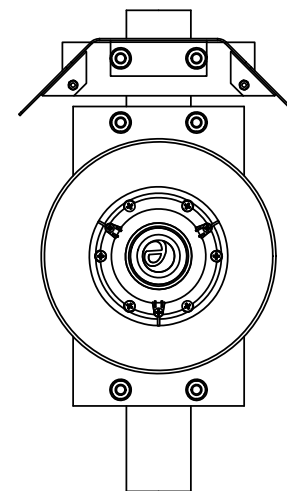
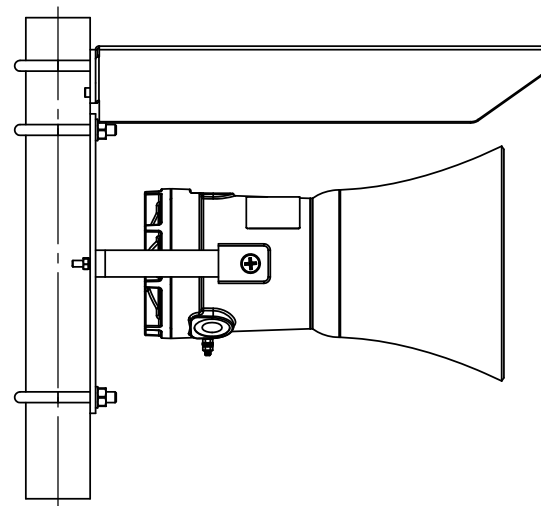
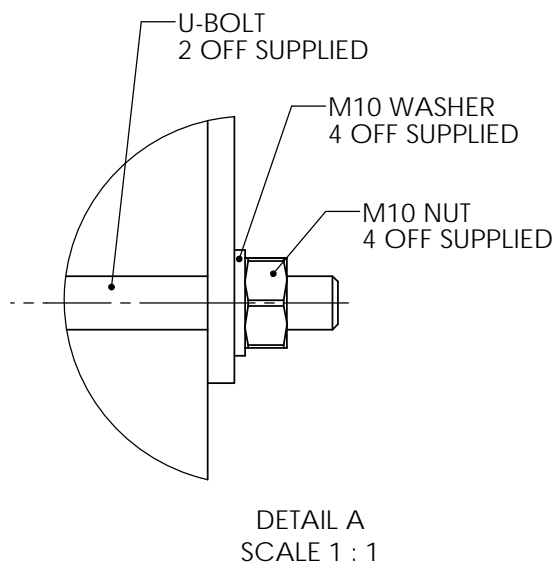
ISSUE	MOD No.	REASON - INITIAL - DATE
A		Introduction MV 03/01/18
B		Various changes to notes DAH 26/07/2018



**D1xS1 SOUNDER / D1xL1 LOUDSPEAKER**



**D1xS2 SOUNDER / D1xL2 LOUDSPEAKER**



Part Codes:	Description:
SP65-0001-A2	Pole Mount Bracket Kit 2" St/St A2 (304)
SP65-0001-A4	Pole Mount Bracket Kit 2" St/St A4 (316)
SP65-0003-A2	Sunshade - St/St A2 (304)
SP65-0003-A4	Sunshade - St/St A4 (316)

DRAWING TO BS8888:2000 GEOMETRIC TOLERANCES TO ISO1101:1983 LINEAR DIMENSIONAL TOLS ANGULAR DIMENSIONAL TOLS	DRAWN <b>M.VYAS</b>	DATE 03/01/18	SURFACE FINISH	WEIGHT (Kg)	THIS DRAWING AND ANY INFORMATION OR DESCRIPTIVE MATTER THEREIN IS COMMUNICATED IN CONFIDENCE AND IS THE COPYRIGHT PROPERTY OF EUROPEAN SAFETY SYSTEMS LTD. NEITHER THE WHOLE OR ANY EXTRACT MAY BE DISCLOSED, LOANED, COPIED OR USED FOR MANUFACTURING OR TENDERING PURPOSES WITHOUT THEIR WRITTEN CONSENT.	 EUROPEAN SAFETY SYSTEMS LTD IMPRESS HOUSE MANSELL ROAD ACTON LONDON W3 7QH WWW.E2S.COM	ALL DIMENSIONS IN MM IF IN DOUBT, ASK - DO NOT SCALE		<b>A2</b>
	STANDARDS	CHECKED <b>R.N.POTTS</b>							
	APPROVED <b>R.N.POTTS</b>	DATE 03/01/18			EUROPEAN SAFETY SYSTEMS LTD. AS PER LATEST DATE OF ISSUE SHOWN ABOVE	SCALE 1:5	SHEET 1 OF 1	DRAWING NUMBER <b>D217-05-061</b>	