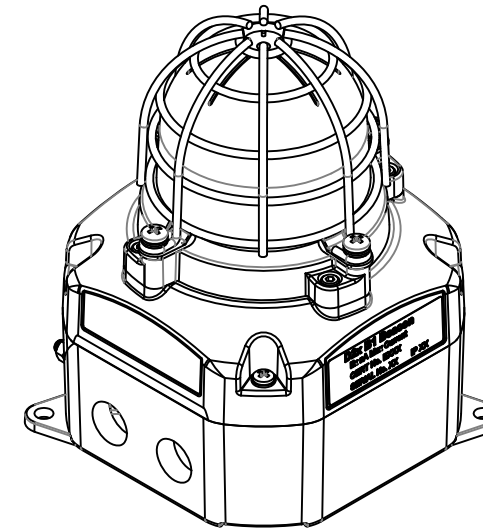
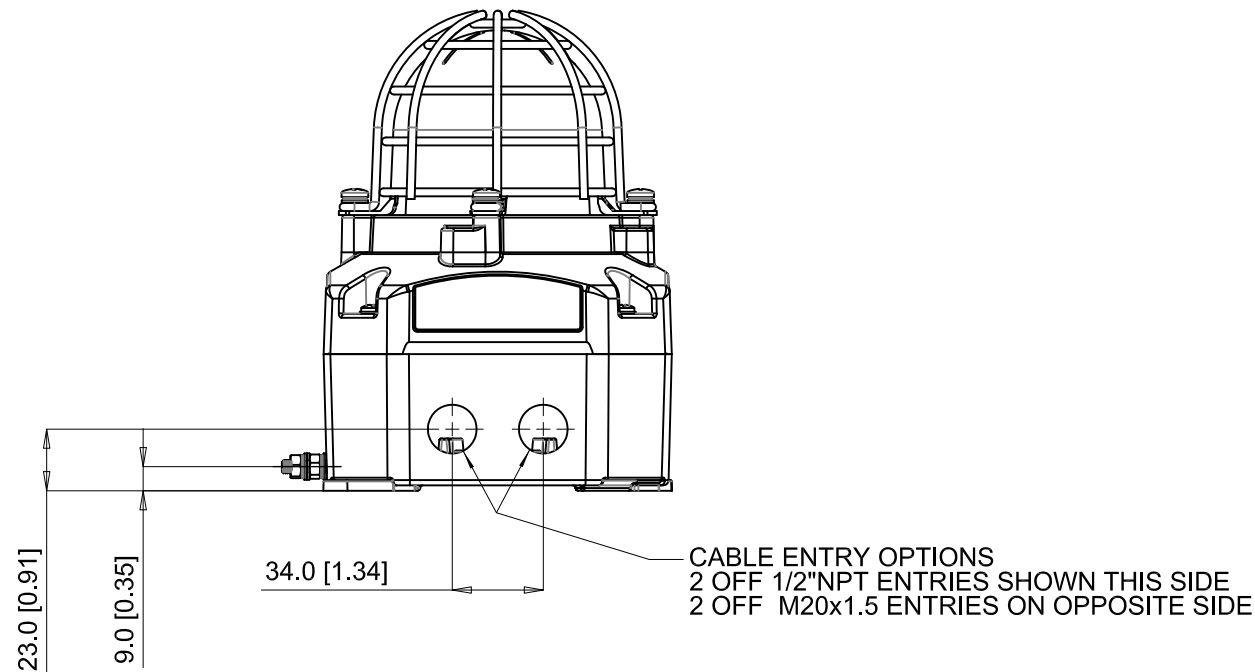
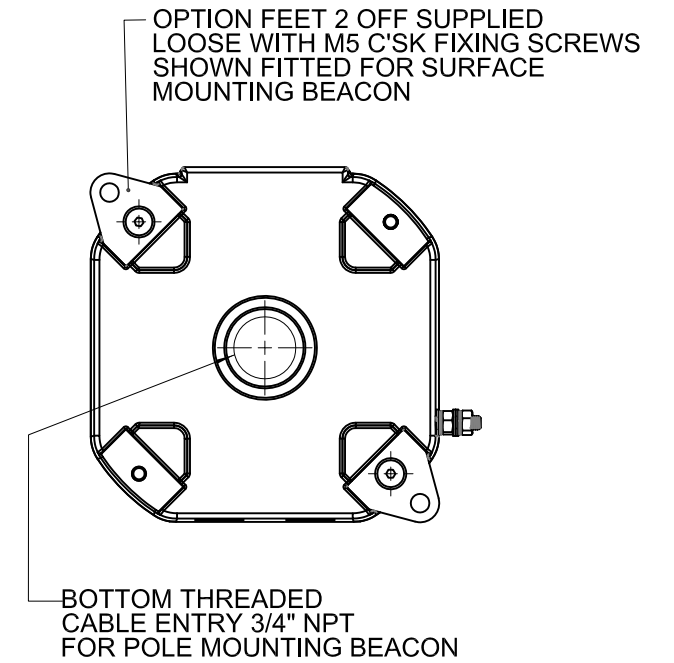
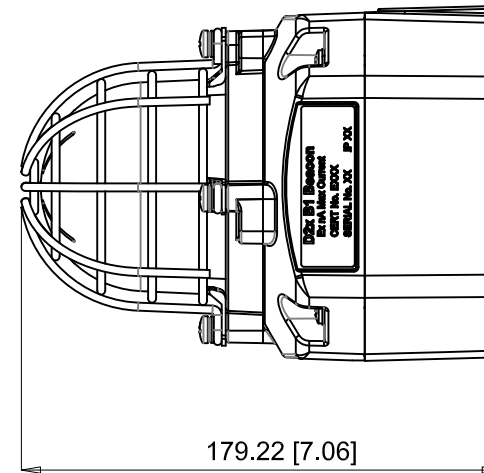
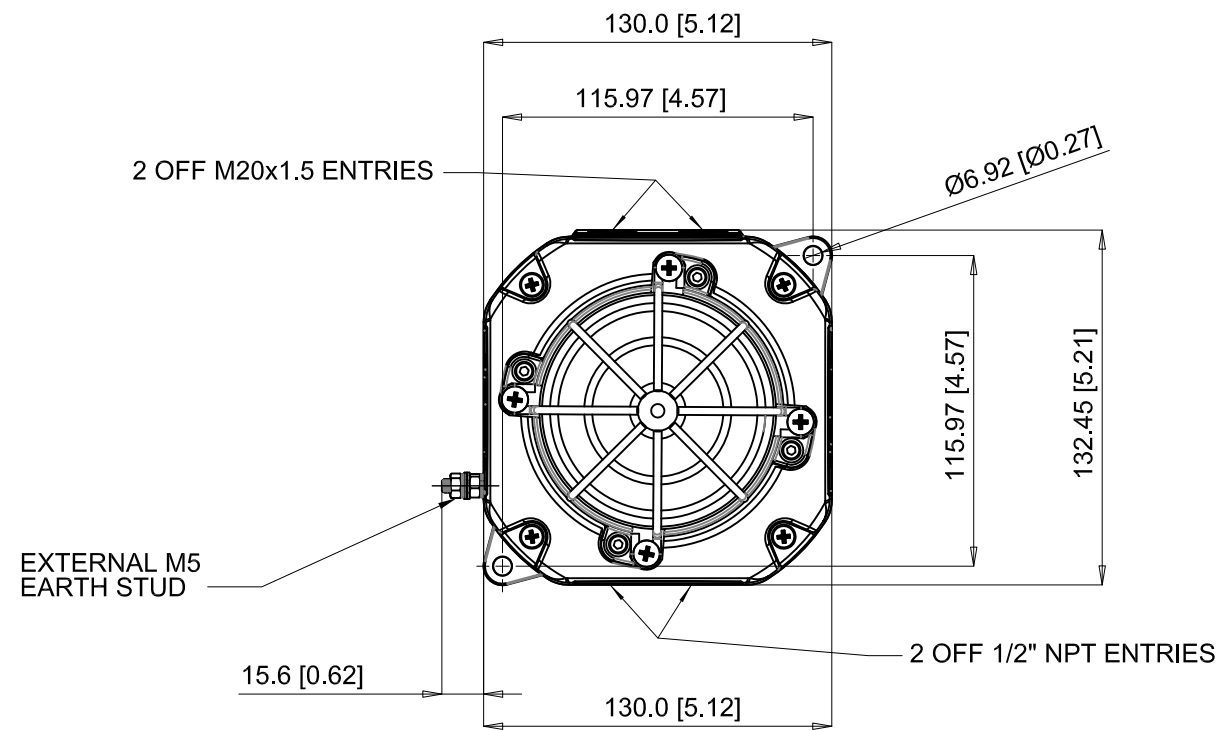


ISSUE	MOD No.	REASON - INITIAL - DATE
1		INTRODUCTION RSR 28-11-2019
2		BOTTOM NPT NOTE AMENDED RSR 18-02-2020



E2S PART No.	DESCRIPTION	DATA REFERENCE
D2xB1X05	D2xB1 5J XENON STROBE BEACON	1-31-040
D2xB1X10	D2xB1 10J XENON STROBE BEACON	1-31-050
D2xB1LD2	D2xB1 LED MULTI-FUNCTION BEACON	1-31-065

DRAWING TO BS8888:2000 GEOMETRIC TOLERANCES TO ISO1101:1983 LINEAR DIMENSIONAL TOLS ANGULAR DIMENSIONAL TOLS	DRAWN R.S. RAIT	DATE 28-11-2019	SURFACE FINISH	WEIGHT (Kg)	THIS DRAWING AND ANY INFORMATION OR DESCRIPTIVE MATTER THEREIN IS COMMUNICATED IN CONFIDENCE AND IS THE COPYRIGHT PROPERTY OF EUROPEAN SAFETY SYSTEMS LTD. NEITHER THE WHOLE OR ANY EXTRACT MAY BE DISCLOSED, LOANED, COPIED OR USED FOR MANUFACTURING OR TENDERING PURPOSES WITHOUT THEIR WRITTEN CONSENT. EUROPEAN SAFETY SYSTEMS LTD. AS PER LATEST DATE OF ISSUE SHOWN ABOVE	 EUROPEAN SAFETY SYSTEMS LTD IMPRESS HOUSE MANSELL ROAD ACTON LONDON W3 7QH WWW.E2S.COM	ALL DIMENSIONS IN MM IF IN DOUBT, ASK - DO NOT SCALE		 A2
	CHECKED B.ISARD	DATE 28-11-2019	MATERIAL	TITLE D2xB1X05; D2xB1X10; D2xB12LD2 BEACON OUTLINE DRAWING					
	STANDARDS	APPROVED R.N.POTTS	DATE 28-11-2019	ALTERNATIVE MATERIAL			SCALE 1:1	SHEET 1 OF 1	DRAWING NUMBER D211-05-201