

D2xB1XH2 Haz Loc UL1971 Strobe 70.29cd - Auto Synch

The D2xB1XH2 features a high output UL1971 rated 70.29cd, 10 Joule Xenon strobe warning light / beacon. Globally approved, the robust Type 4/4X, IP66 enclosure ensures suitability for all haz loc fire alarm and general signalling applications.

Multiple D2xB1XH2 units will auto-synchronize when powered from the same power source removing the need for any additional sync modules in the circuit. One device, globally certified: NEC/CEC CI D2 and CII D2; NEC CI Zone 2 and Zone 22; CEC Zone 2 & 22 and CII D2; ATEX, IECEx Zone 2 & 22. UL1638/UL1971 & CAN-ULC-S526 tested – suitable for public mode fire alarm, ADA compliant, hearing impaired applications.

Features

- UL1971/UL1638 Public mode fire
- CAN/ULC-S526 Fire approved
- 70.29 eff. candela
- Auto-synchronized
- Xenon tube mechanically secured against vibration & shock
- User replaceable Xenon tube assembly
- Duplicate cable terminations (in & out for daisy-chain installations)
- Large termination area
- Marine grade aluminum enclosure
- Ingress protection Type 4/4X/3R/13, IP66
- High impact resistant Borosilicate glass lens
- Stainless steel external and internal fixings
- Duplicate, pluggable cable terminations
- Conduit mounting via integral 3/4" NPT entry
- Surface mounting via user installed lugs
- Dual 1/2"NPT and dual M20 entries
- Supplied with haz loc rated stopping plugs
- Compact footprint

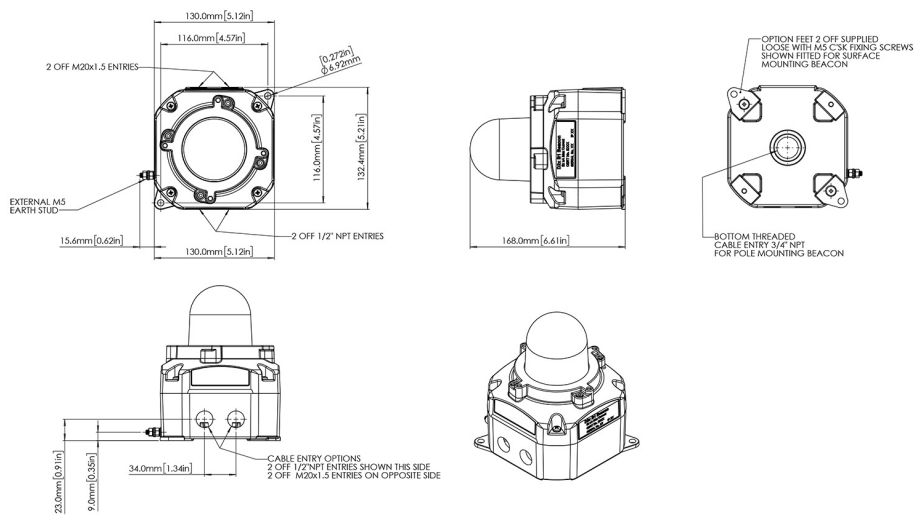
Approvals

- UL/cUL File ref: E245313
- IECEx certificate: IECEx ULD 14.0004X
- ATEX certificate: DEMKO 14 ATEX 4786493904X
- CSFM certificate: 7300-2279:0500

Coding

- NEC / CEC:
 - Class I Div 2 ABCD T1 Ta -40°C to +50°C
 - Class I Div 2 ABCD T2 Ta -40°C to +45°C
 - Class II Div 2 FG T4A Ta -40°C to +50°C
 - Class II Div 2 FG T5 Ta -40°C to +45°C
 - Class III Div 1&2 Ta -40°C to +50°C
- NEC:
 - Class I Zone 2 AEx nA IIC T1 Gc (Ta -40°C to +50°C)
 - Zone 22 AEx tc IIIC 105°C Dc (Ta -40°C to +50°C)
- CEC:
 - Class I Zone 2 Ex nA IIC T1 Gc X (Ta -40°C to +50°C)
 - Zone 22 Ex tc IIIC 105°C Dc (Ta -40°C to +50°C)





Specification

Energy:	10 Joules (10Ws)
Source:	Xenon strobe
Modes:	1Hz flash (60 fpm)
Effective cd:	70.29 cd – UL1971
Peak Candela:	1,000,000 cd – calculated from energy (J)
Effective cd:	500 cd – calculated from energy (J)
Voltages:	24Vdc – 20-28Vdc
Ingress protection:	IP rating per EN60529:IP66 Type rating per UL50E/NEMA250:4/4X/3R/13
Enclosure material:	Marine grade LM6 aluminum alloy
Colour:	Red (RAL3000)
Lens colour:	Clear
Lens material:	Borosilicate glass dome
Cable entries:	2 x M20x1.5, 2 x 1/2" NPT, 1 x 3/4" NPT
Stopping plugs:	Nickel Plated Brass plugs included – brass or stainless steel optional
Mounting:	Conduit mount via 3/4" NPT entry Surface mount via optional lugs
Ground/Earth stud:	M5
Terminals:	0.5 – 2.5mm ² (20-14 AWG)
Line monitoring:	Blocking diode included EOL can be factory fitted
Operating temp:	-40 to +50°C [-40° to +122°F]
Storage temp:	-40 to +70°C [-40° to +158°F]
Relative humidity:	95%
Weight:	1.5kg/3.31lbs

Part Codes

Part Code:	Ident.:	Description:
Product type:	D2XB1XH2	70.29cd 10 Joule Xenon Strobe warning light / beacon
Voltage:	DC024	24V dc (20-28Vdc)
Cable entries: [e]	M	2 x 1/2" NPT, 2 x M20x1.5, 1 x 3/4" NPT
Stopping plug material: [m]	B N S	Brass Nickel Plated Brass Stainless Steel
Lens guard & tag: [s]	0 5	No lens Guard No lens guard with Equip. Tag
Version: [v]	H1	UL, cUL, IECEx & ATEX, CSFM
Enclosure: [x]	R	Red RAL3000
Lens colour: [y]	C	Clear
Accessories:	SP65-0001-A2 SP65-0001-A4 SP65-0002-A2 SP65-0002-A4	Pole Mount Bracket Kit 2" St/St A2 (304) Pole Mount Bracket Kit 2" St/St A4 (316) Sunshade – St/St A2 (304) Sunshade – St/St A4 (316) Sunshade – St/St A2 (304) Sunshade – St/St A4 (316)

Current Consumption

Nominal Voltage:	In rush:	Voltage range:	Nominal operating current:
24V dc	828mA < 4.4ms	20-28V dc	615mA