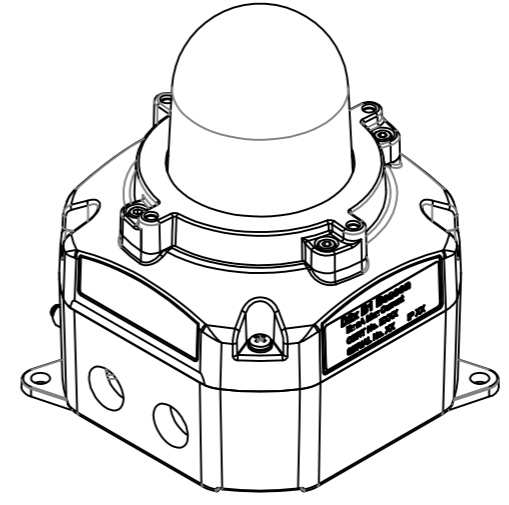
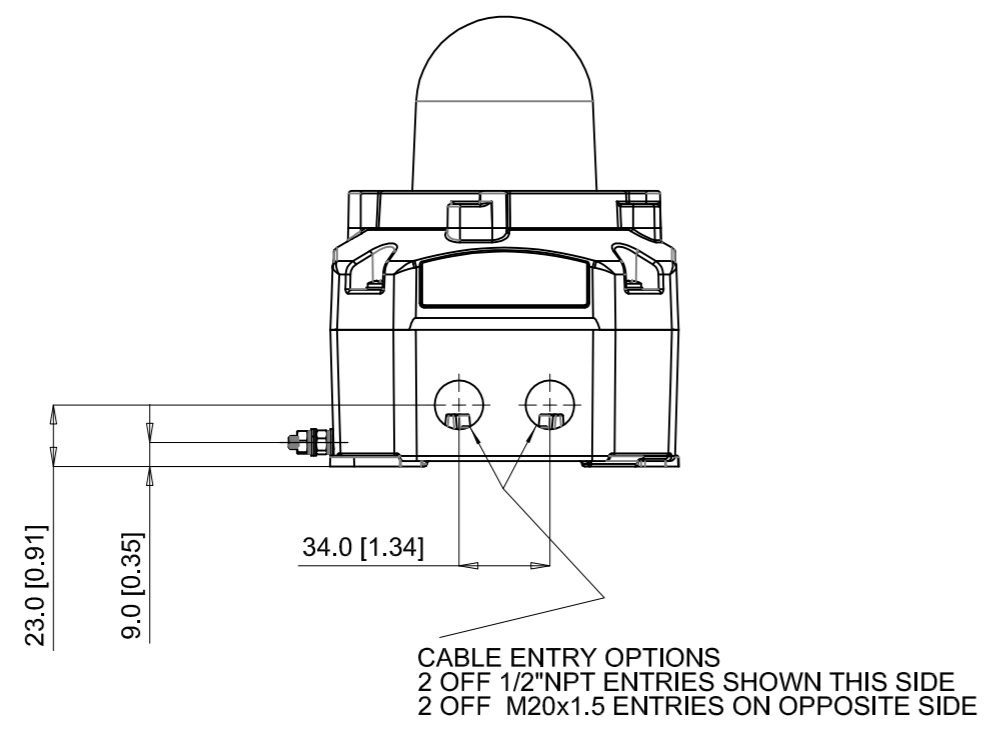
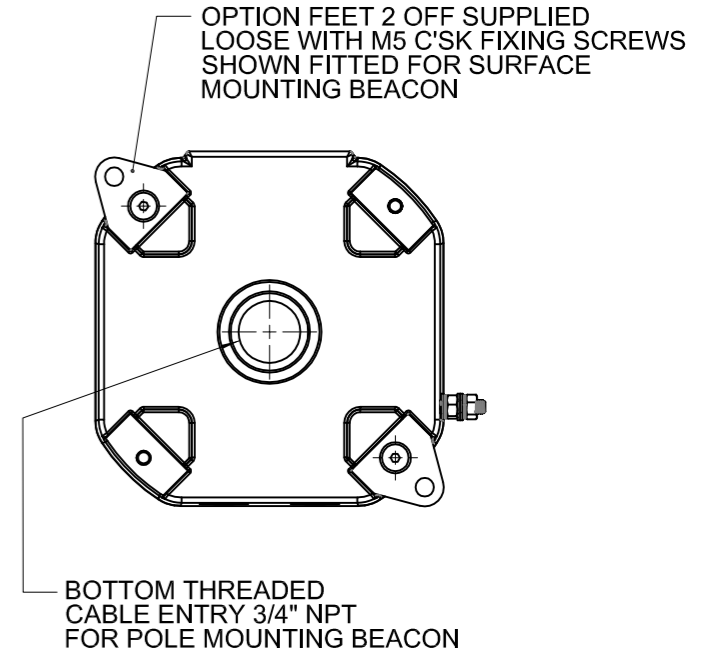
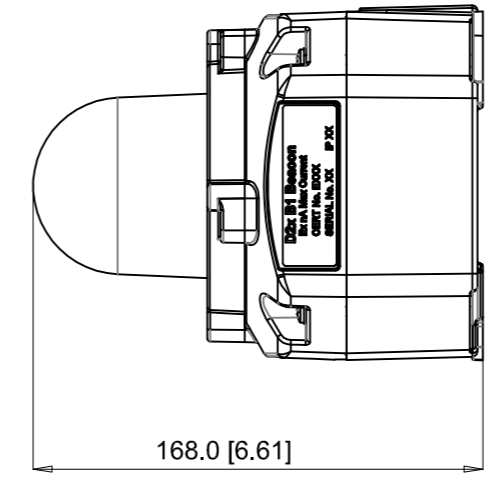
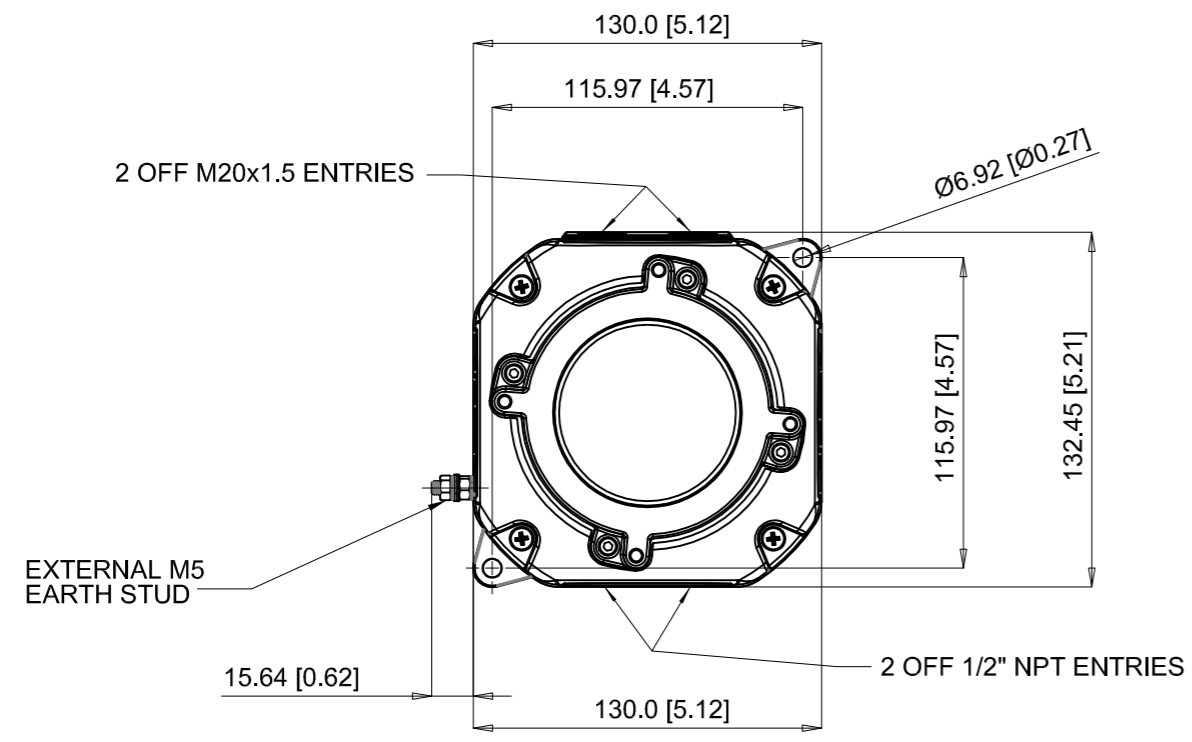


ISSUE	MOD No.	REASON - INITIAL - DATE
1		INTRODUCTION RSR 28-11-2019



E2S PART No.	DESCRIPTION	DATA REFERENCE
D2xB1LD2DC024MN0H1R/C	D2xB1LD2-H LED BEACON PUBLIC FIRE MODE	1-31-060
D2xB1XH1DC024MN0H1R/C	D2xB1XH1 5J XENON BEACON PUBLIC FIRE MODE	1-31-070
D2xB1XH2DC024MN0H1R/C	D2xB1XH2 10J XENON BEACON PUBLIC FIRE MODE	1-31-080
D2xB1LD3DC024MN0H1R/C	D2xB1LD3 LED PULSE BEACON PUBLIC FIRE MODE	1-31-061

DRAWING TO BS8888:2000 GEOMETRIC TOLERANCES TO ISO1101:1983 LINEAR DIMENSIONAL TOLS ANGULAR DIMENSIONAL TOLS	DRAWN R.S. RAIT	DATE 28-11-2019	SURFACE FINISH	WEIGHT (Kg)	THIS DRAWING AND ANY INFORMATION OR DESCRIPTIVE MATTER THEREIN IS COMMUNICATED IN CONFIDENCE AND IS THE COPYRIGHT PROPERTY OF EUROPEAN SAFETY SYSTEMS LTD. NEITHER THE WHOLE OR ANY EXTRACT MAY BE DISCLOSED, LOANED, COPIED OR USED FOR MANUFACTURING OR TENDERING PURPOSES WITHOUT THEIR WRITTEN CONSENT. EUROPEAN SAFETY SYSTEMS LTD. AS PER LATEST DATE OF ISSUE SHOWN ABOVE	 EUROPEAN SAFETY SYSTEMS LTD IMPRESS HOUSE MANSELL ROAD ACTON LONDON W3 7QH WWW.E2S.COM	ALL DIMENSIONS IN MM IF IN DOUBT, ASK - DO NOT SCALE	 A2
	STANDARDS	CHECKED B.ISARD	DATE 28-11-2019	MATERIAL			TITLE D2xB1 BEACON - PUBLIC MODE FIRE UL1971 OUTLINE DRAWING	
		APPROVED R.N.POTTS	DATE 28-11-2019	ALTERNATIVE MATERIAL			SCALE 1:1	