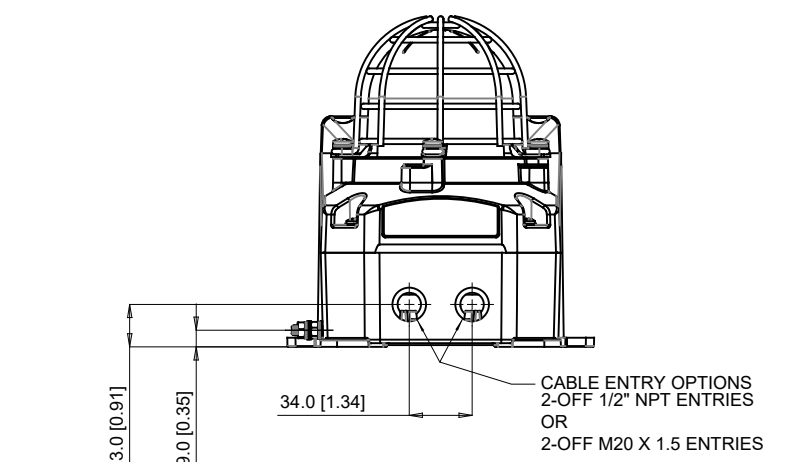
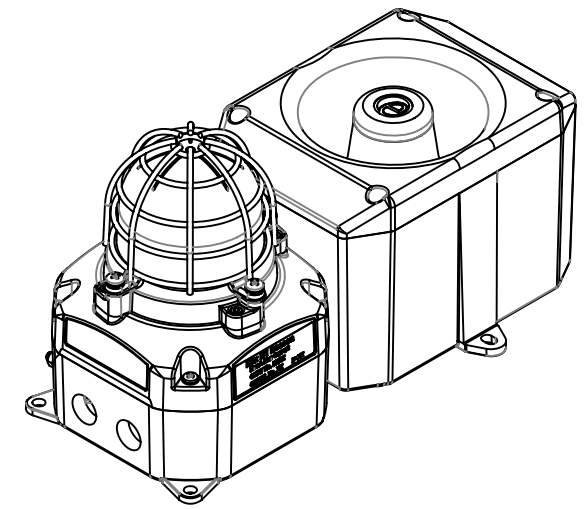
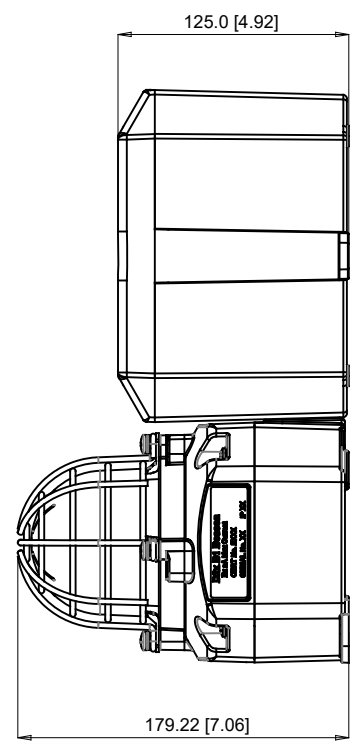
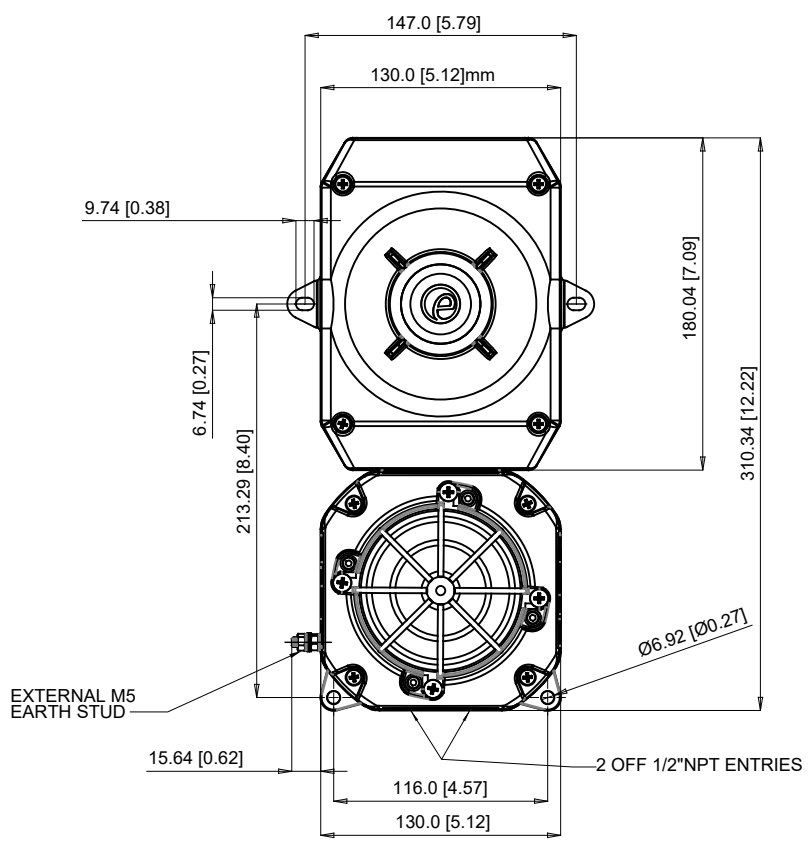


| ISSUE | MOD No. | REASON - INITIAL - DATE |
|-------|---------|--|
| 1 | | INTRODUCTION RSR 28-11-2019 |
| 2 | | 116mm [4.57"] DIM. ADDED RSR 07-06-2021 |



| E2S PART No. | DESCRIPTION | DATA REFERENCE |
|--------------|--|----------------|
| D2xC2X05 | D2xC2 COMBINED HORN & 5J XENON STROBE | 1-34-070 |
| D2xC2X10 | D2xC2 COMBINED HORN & 10J XENON STROBE | 1-34-080 |
| D2xC2LD2 | D2xC2 COMBINED HORN & LED BEACON | 1-34-045 |

| | | | | | | | | | |
|---|---------------------------|------------------------------|--------------------|----------------------|--|---|--|--|-----------|
| DRAWING TO BS8888:2000 GEOMETRIC TOLERANCES TO ISO1101:1983 LINEAR DIMENSIONAL TOLS ANGULAR DIMENSIONAL TOLS | DRAWN R.S. RAIT | DATE 28-11-2019 | SURFACE FINISH | WEIGHT (Kg) | THIS DRAWING AND ANY INFORMATION OR DESCRIPTIVE MATTER THEREIN IS COMMUNICATED IN CONFIDENCE AND IS THE COPYRIGHT PROPERTY OF EUROPEAN SAFETY SYSTEMS LTD. NEITHER THE WHOLE OR ANY EXTRACT MAY BE DISCLOSED, LOANED, COPIED OR USED FOR MANUFACTURING OR TENDERING PURPOSES WITHOUT THEIR WRITTEN CONSENT. EUROPEAN SAFETY SYSTEMS LTD. AS PER LATEST DATE OF ISSUE SHOWN ABOVE | EUROPEAN SAFETY SYSTEMS LTD IMPRESS HOUSE MANSELL ROAD ASTON LONDON W3 7QH WWW.E2S.COM | ALL DIMENSIONS IN MM IF IN DOUBT, ASK - DO NOT SCALE | | A2 |
| | CHECKED B.ISARD | DATE 28-11-2019 | | | | | | | |
| | STANDARDS | APPROVED R.N.POTTS | DATE 28-11-2019 | ALTERNATIVE MATERIAL | | | | | |