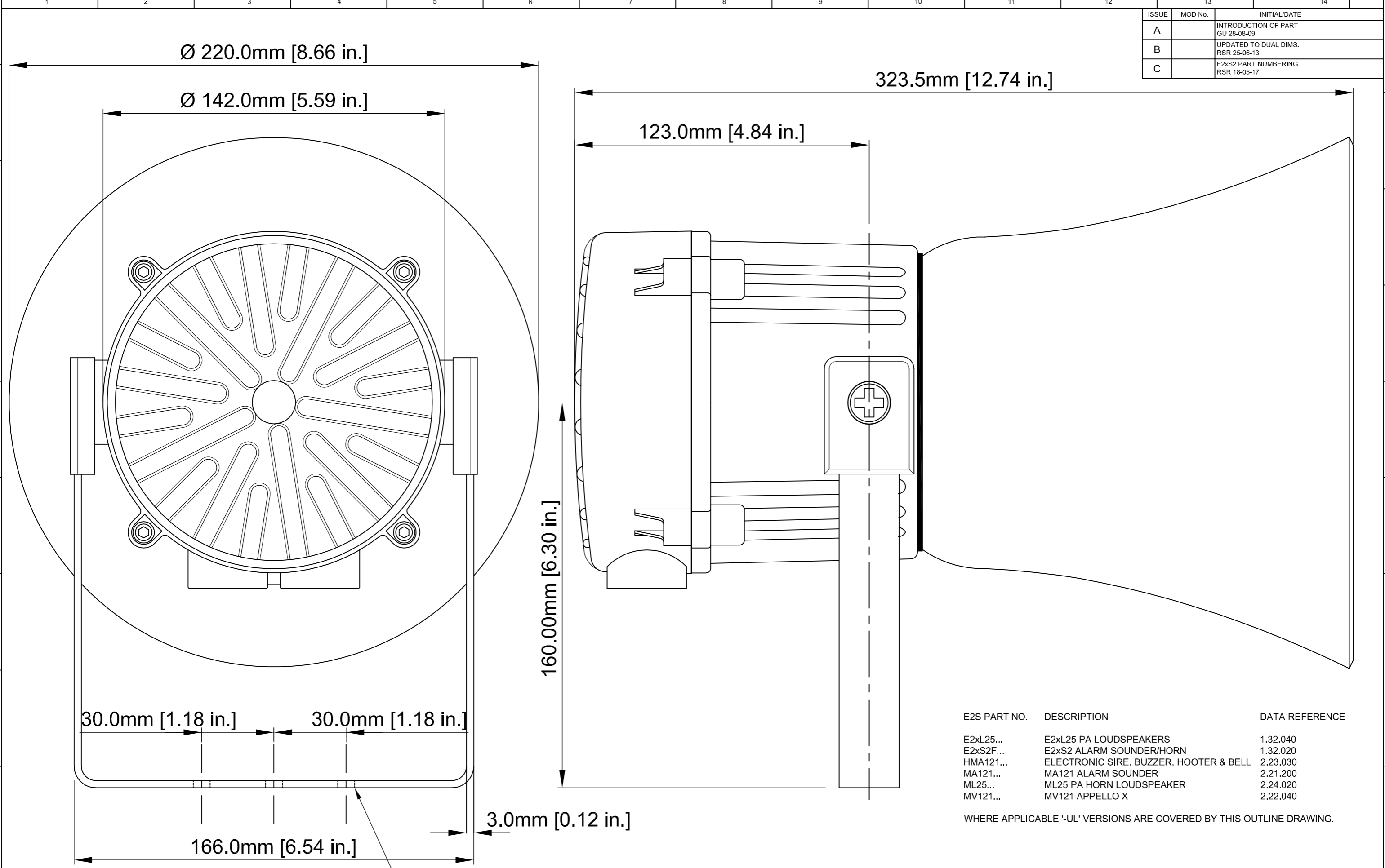


ISSUE	MOD No.	INITIAL/DATE
A		INTRODUCTION OF PART GU 28-08-09
B		UPDATED TO DUAL DIMS. RSR 25-06-13
C		E2xS2 PART NUMBERING RSR 18-05-17



E2S PART NO.	DESCRIPTION	DATA REFERENCE
E2xL25...	E2xL25 PA LOUDSPEAKERS	1.32.040
E2xS2F...	E2xS2 ALARM SOUNDER/HORN	1.32.020
HMA121...	ELECTRONIC SIRE, BUZZER, HOOTER & BELL	2.23.030
MA121...	MA121 ALARM SOUNDER	2.21.200
ML25...	ML25 PA HORN LOUDSPEAKER	2.24.020
MV121...	MV121 APPELLO X	2.22.040

WHERE APPLICABLE 'UL' VERSIONS ARE COVERED BY THIS OUTLINE DRAWING.

DRAWING TO BS8888:2000 GEOMETRIC TOLERANCES TO ISO1101:1983 LINEAR DIMENSIONAL TOLS ANGULAR DIMENSIONAL TOLS	DRAWN G. UDOWICZENKO	DATE 26-08-09	SURFACE FINISH	WEIGHT (Kg)	THIS DRAWING AND ANY INFORMATION OR DESCRIPTIVE MATTER THEREIN IS COMMUNICATED IN CONFIDENCE AND IS THE COPYRIGHT PROPERTY OF EUROPEAN SAFETY SYSTEMS LTD. NEITHER THE WHOLE OR ANY EXTRACT MAY BE DISCLOSED, LOANED, COPIED OR USED FOR MANUFACTURING OR TENDERING PURPOSES WITHOUT THEIR WRITTEN CONSENT.	 EUROPEAN SAFETY SYSTEMS LTD IMPRESS HOUSE MANSELL ROAD ACTON LONDON W3 7QH WWW.E2S.COM	ALL DIMENSIONS IN MM IF IN DOUBT, ASK - DO NOT SCALE		<b>A2</b>
	CHECKED	DATE	MATERIAL	TITLE <b>E2xS2F SOUNDER OUTLINE</b>					
	APPROVED	DATE	ALTERNATIVE MATERIAL						
STANDARDS				SHEET <b>1 OF 1</b>	DRAWING NUMBER <b>SK0122</b>				