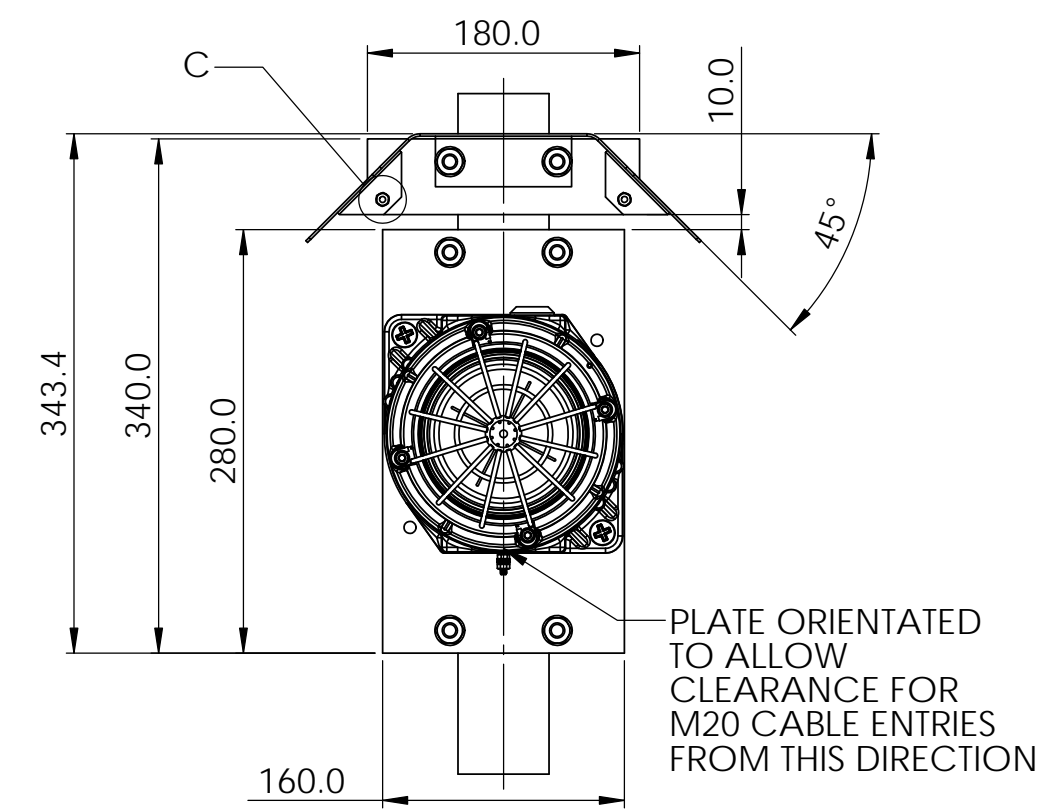
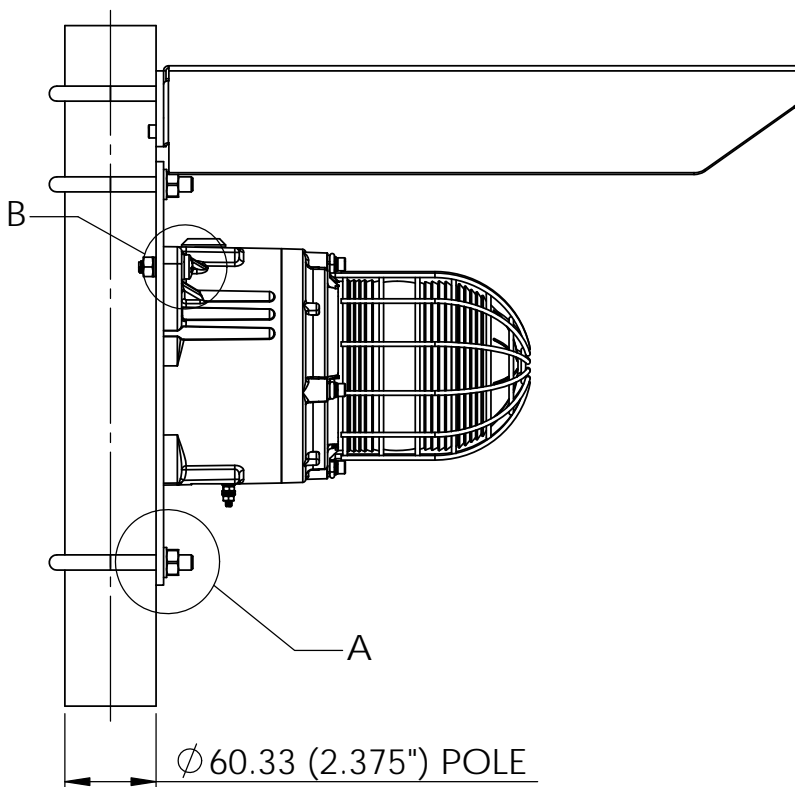
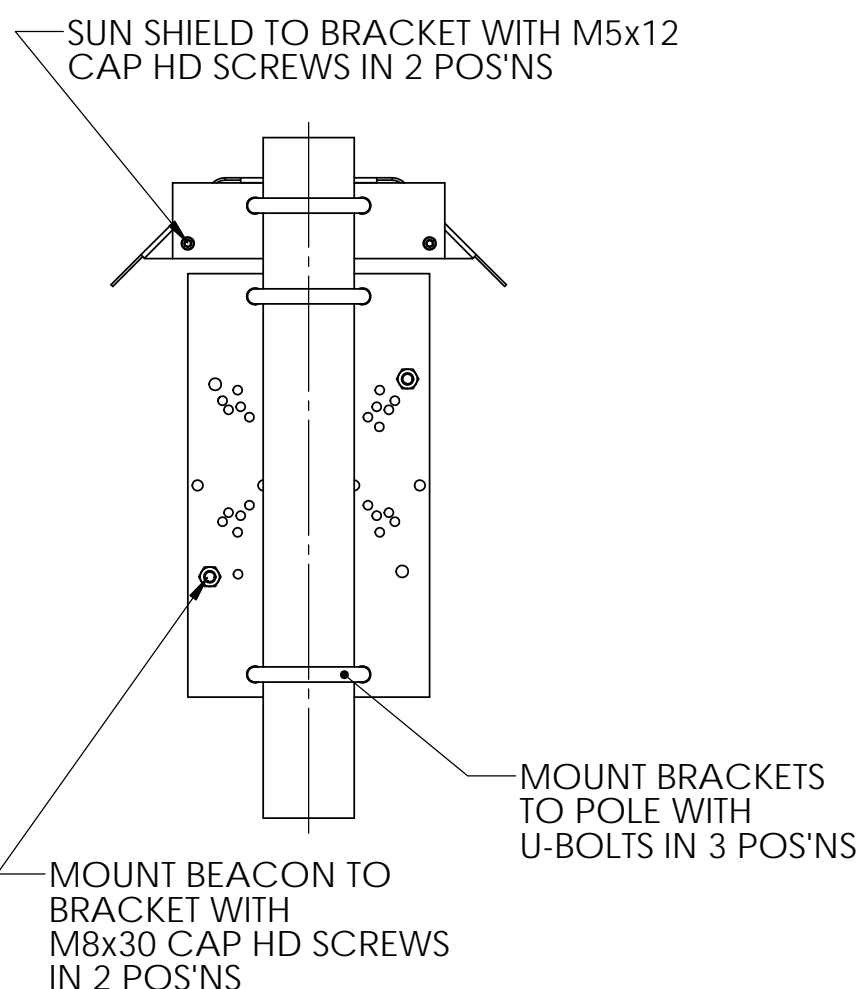
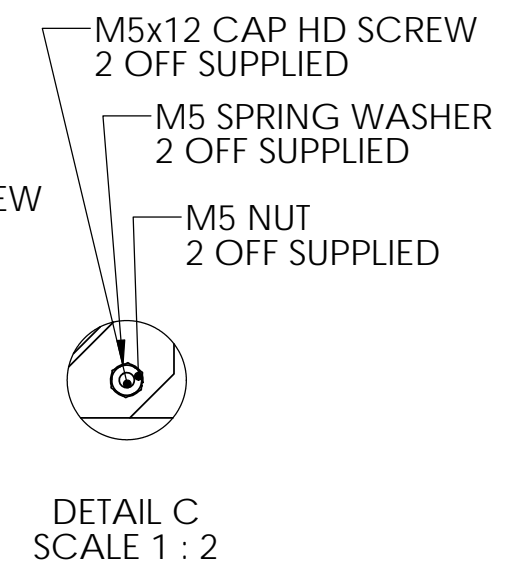
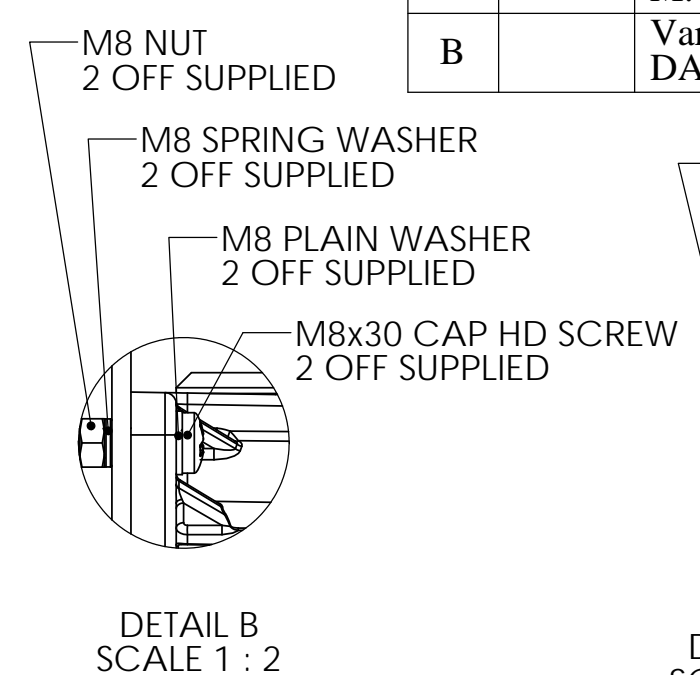
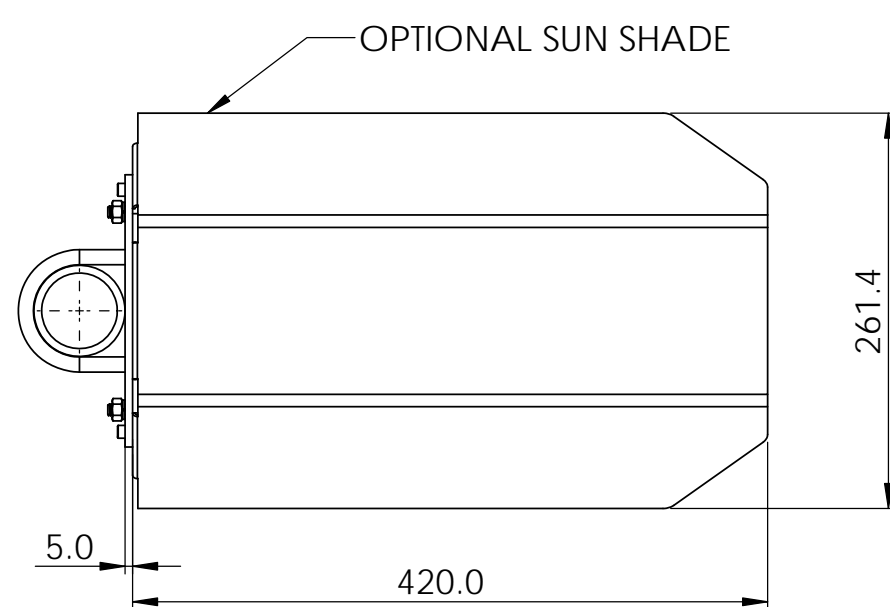
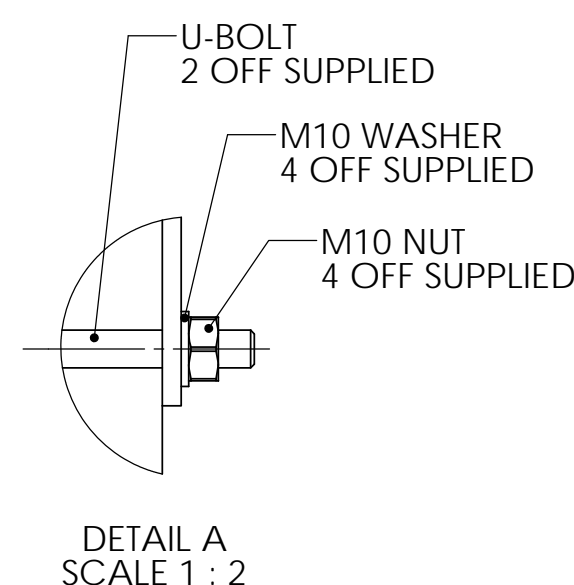


ISSUE	MOD No.	REASON - INITIAL - DATE
A		Introduction M.VYAS - 05/01/18
B		Various changes to notes DAH - 27/07/2018



Part Codes:	Description:
SP65-0001-A2	Pole Mount Bracket Kit 2" St/St A2 (304)
SP65-0001-A4	Pole Mount Bracket Kit 2" St/St A4 (316)
SP65-0003-A2	Sunshade - St/St A2 (304)
SP65-0003-A4	Sunshade - St/St A4 (316)

DRAWING TO BS8888:2000 GEOMETRIC TOLERANCES TO ISO1101:1983 LINEAR DIMENSIONAL TOLS ANGULAR DIMENSIONAL TOLS	DRAWN	DATE	SURFACE FINISH	WEIGHT (Kg)
	M.VYAS	05/01/18		
	CHECKED	DATE		
STANDARDS	R.N.POTTS	05/01/18	MATERIAL	THIS DRAWING AND ANY INFORMATION OR DESCRIPTIVE MATTER THEREIN IS COMMUNICATED IN CONFIDENCE AND IS THE COPYRIGHT PROPERTY OF EUROPEAN SAFETY SYSTEMS LTD. NEITHER THE WHOLE OR ANY EXTRACT MAY BE DISCLOSED, LOANED, COPIED OR USED FOR MANUFACTURING OR TENDERING PURPOSES WITHOUT THEIR WRITTEN CONSENT. EUROPEAN SAFETY SYSTEMS LTD. AS PER LATEST DATE OF ISSUE SHOWN ABOVE
PRODUCT REF	APPROVED	DATE	ALTERNATIVE MATERIAL	
	R.N.POTTS	05/01/18		

	A3 DN 50mm (NPS 2'') POLE & SUN SCREEN GNExB2 BEACONS
ALL DIMENSIONS IN MM IF IN DOUBT, ASK - DO NOT SCALE	
TITLE	

 EUROPEAN SAFETY SYSTEMS LTD IMPRESS HOUSE MANSELL ROAD ACTON LONDON W3 7QH WWW.E2S.COM	SCALE	SHEET	DRAWING NUMBER
	1 : 5	1 OF 1	D217-05-231

SCALE	SHEET	DRAWING NUMBER
1 : 5	1 OF 1	D217-05-231