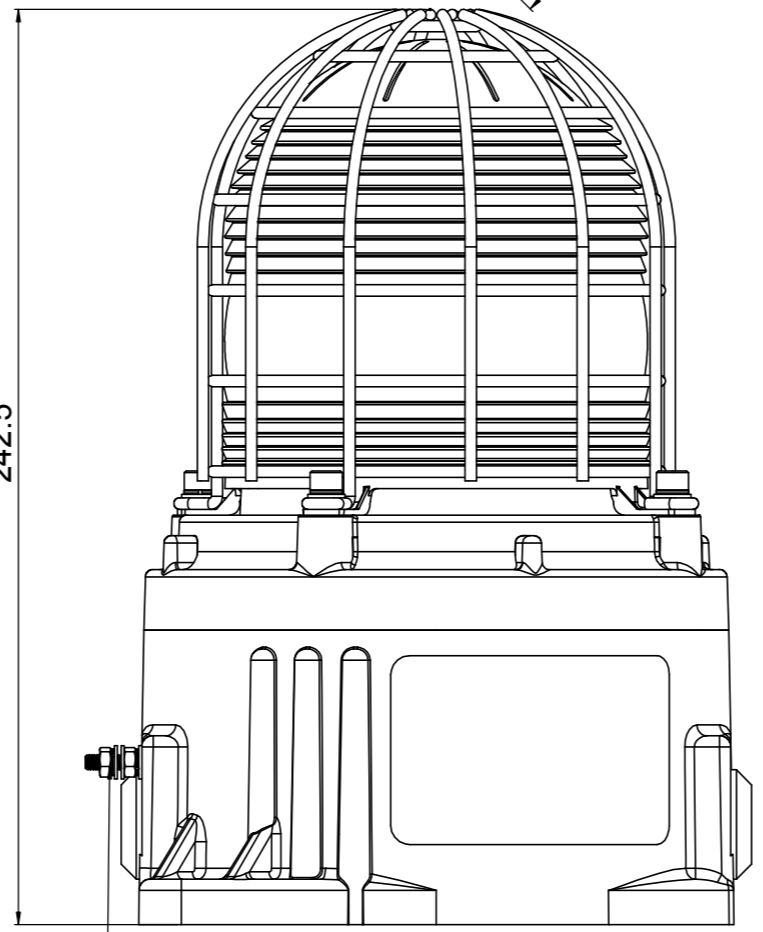
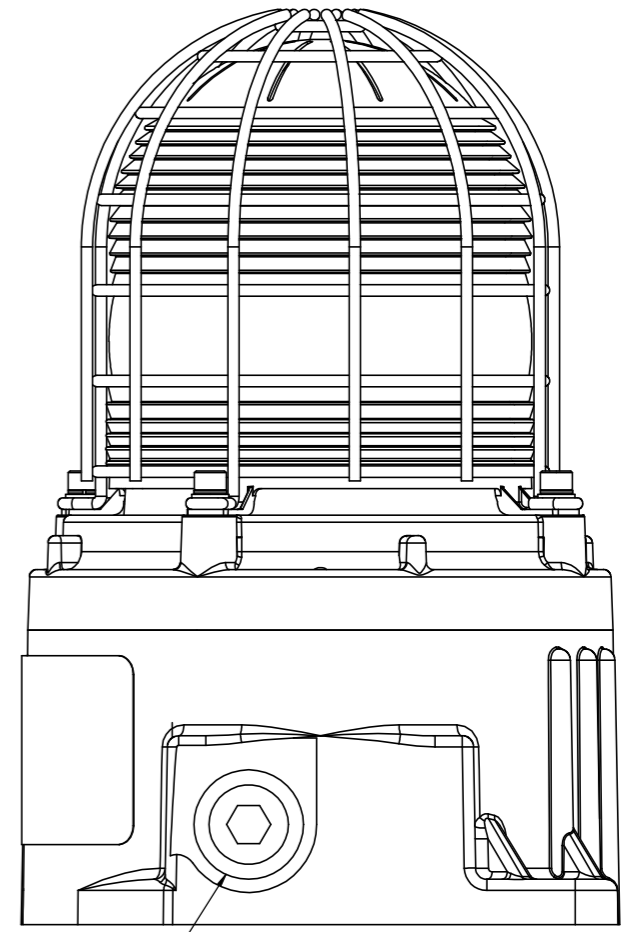


M20 ENTRIES



M4 EARTH STUD

9.546
242.5



M20 ENTRY

DIMENSION IN MM & [INCHES]

E2S PART NO.	DESCRIPTION	DATA REFERENCE
GNExB2X21...	GNEx 21J BEACON	1.21.052
GNExB2X15...	GNEx 15J BEACON	1.21.050
GNExB2X10...	GNEx 10J BEACON	1.21.040

DRAWING TO BS888:2000 GEOMETRIC TOLERANCES TO ISO1101:1983 LINEAR DIMENSIONAL TOLS ANGULAR DIMENSIONAL TOLS	DRAWN	DATE	SURFACE FINISH	WEIGHT (kg)	THIS DRAWING AND ANY INFORMATION OR DESCRIPTIVE MATTER THEREIN IS COMMUNICATED IN CONFIDENCE AND IS THE COPYRIGHT PROPERTY OF EUROPEAN SAFETY SYSTEMS LTD. NEITHER THE WHOLE OR ANY EXTRACT MAY BE DISCLOSED, LOANED, COPIED OR USED FOR MANUFACTURING OR TENDERING PURPOSES WITHOUT THEIR WRITTEN CONSENT.	 EUROPEAN SAFETY SYSTEMS LTD IMPRESS HOUSE MANSELL ROAD ACTON LONDON W3 7QH WWW.E2S.COM	ALL DIMENSIONS IN MM IF IN DOUBT, ASK - DO NOT SCALE	 A1	
	CHECKED	DATE	MATERIAL						
	APPROVED	DATE	ALTERNATIVE MATERIAL						
STANDARDS GNEx B2	R.S. RAIT	07/12/15			EUROPEAN SAFETY SYSTEMS LTD. AS PER LATEST DATE OF ISSUE SHOWN ABOVE	TITLE GNExB2 BEACON OUTLINE	SCALE 1:1	SHEET 1 OF 1	DRAWING NUMBER SK0417