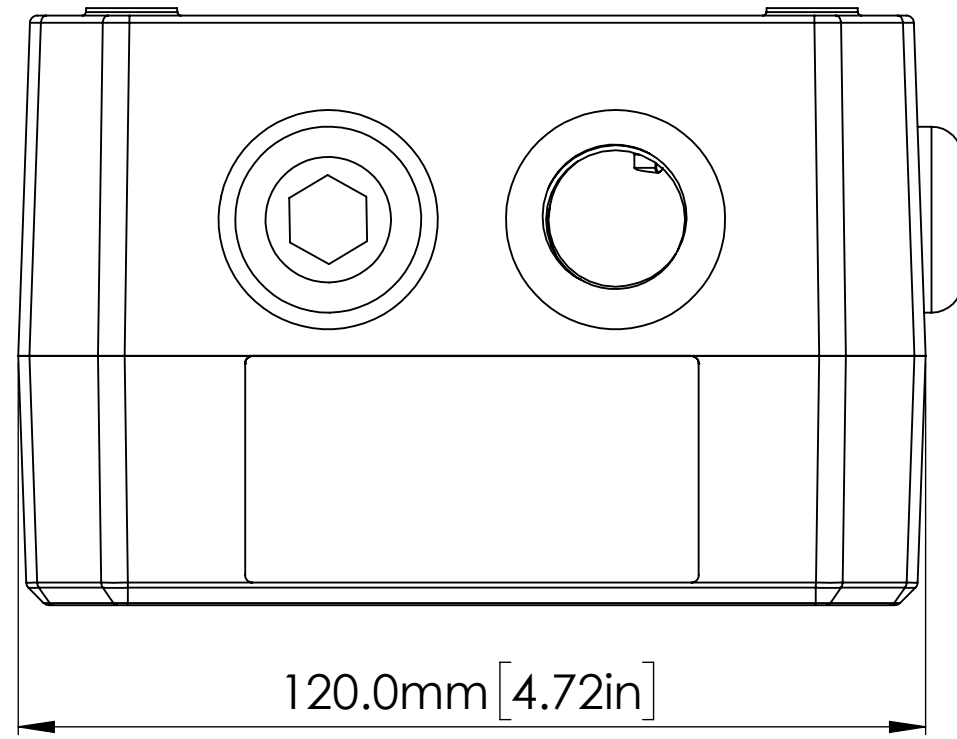
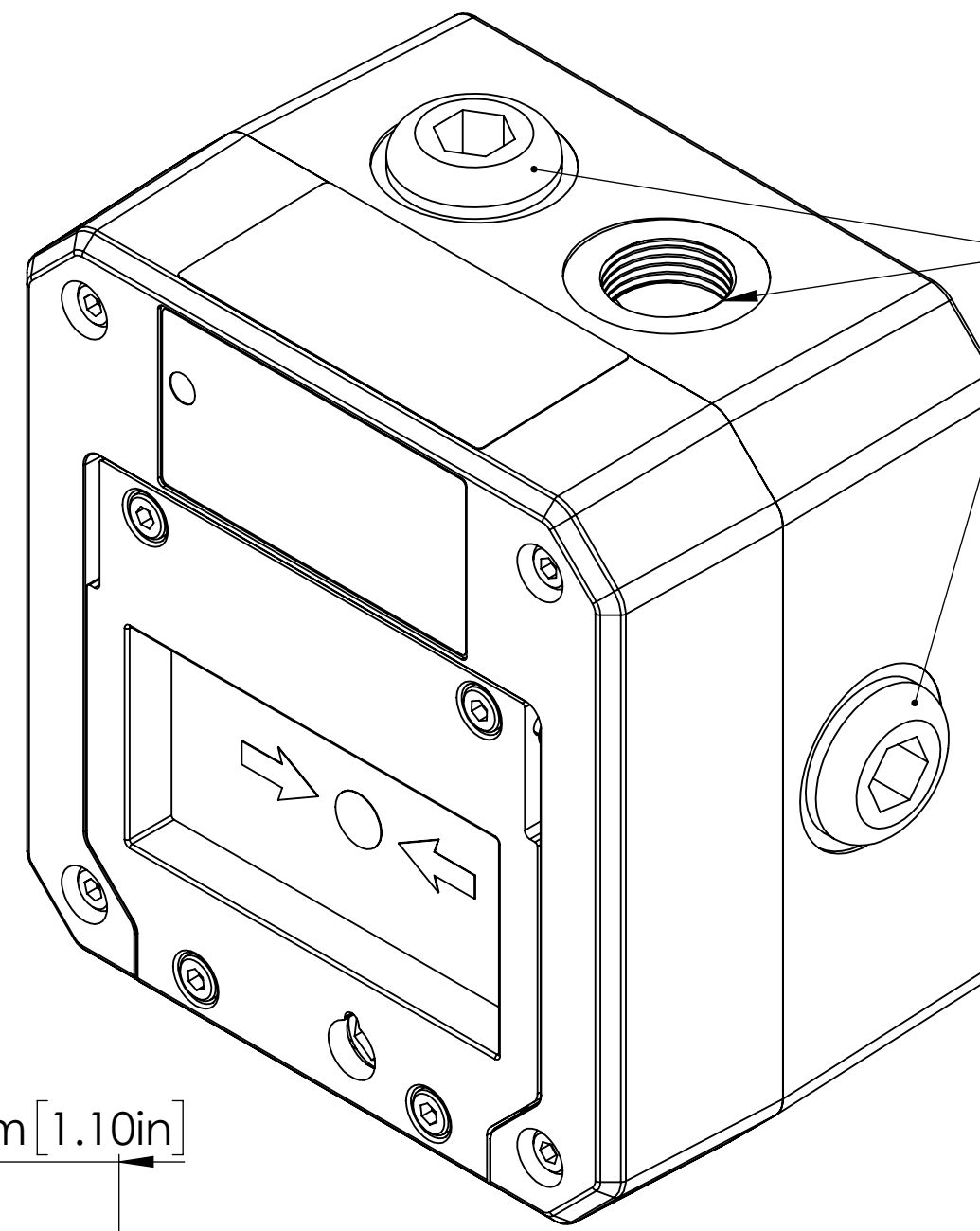


E2S PART NO.	DESCRIPTION	DATA REFERENCE
GNExCP6A-BG GNExCP6B-BG GNExCP6C-BG GNExCP6D-BG	GNExCP6-BG BREAK GLASS MANUAL CALL POINT	1.24.010

ISSUE	MOD No.	REASON - INITIAL - DATE
1		INTRODUCTION DAH - 03-02-2020
2		SHEET 2 LIFT FLAP OPTIOPN ADDED RSR - 17-12-2020



120.0mm [4.72in]



ISOMETRIC VIEW

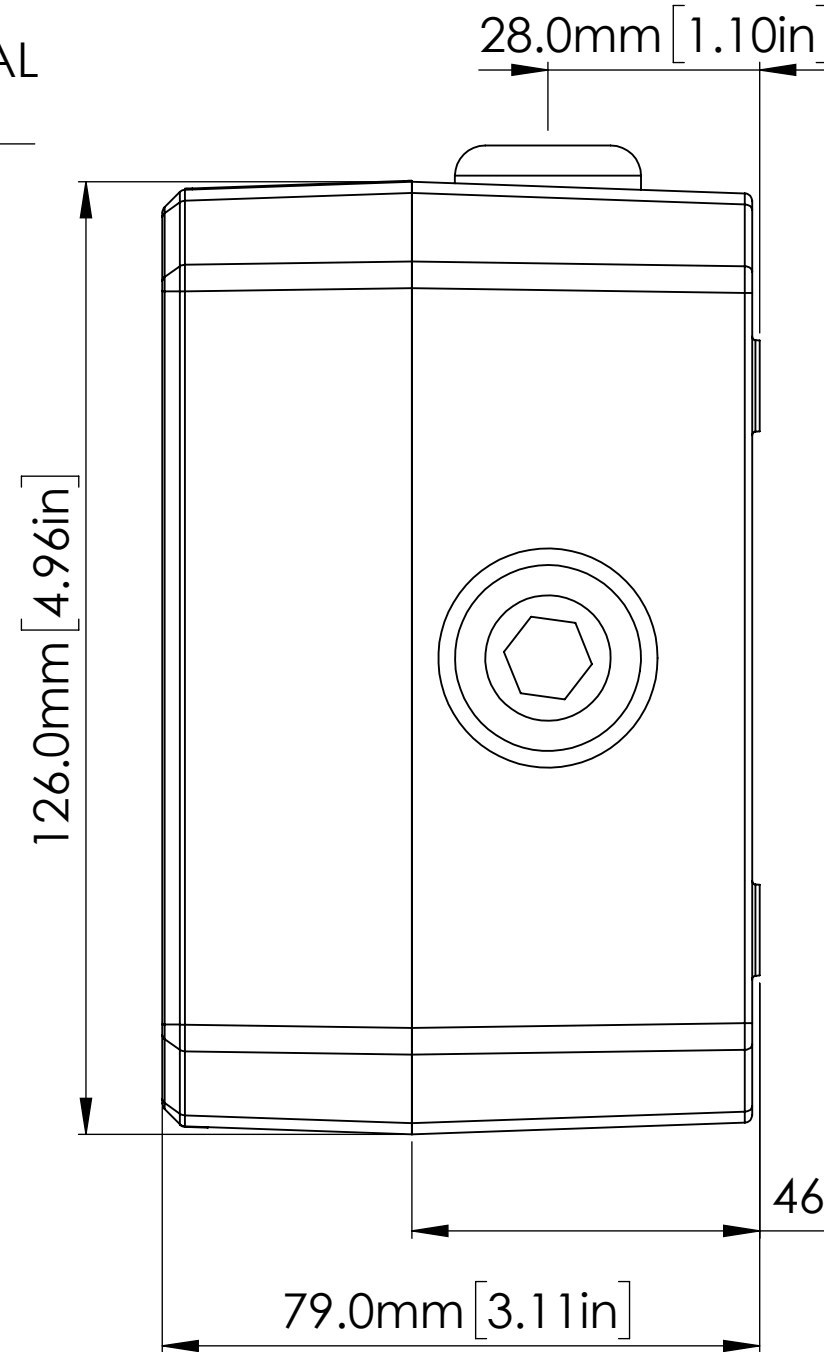
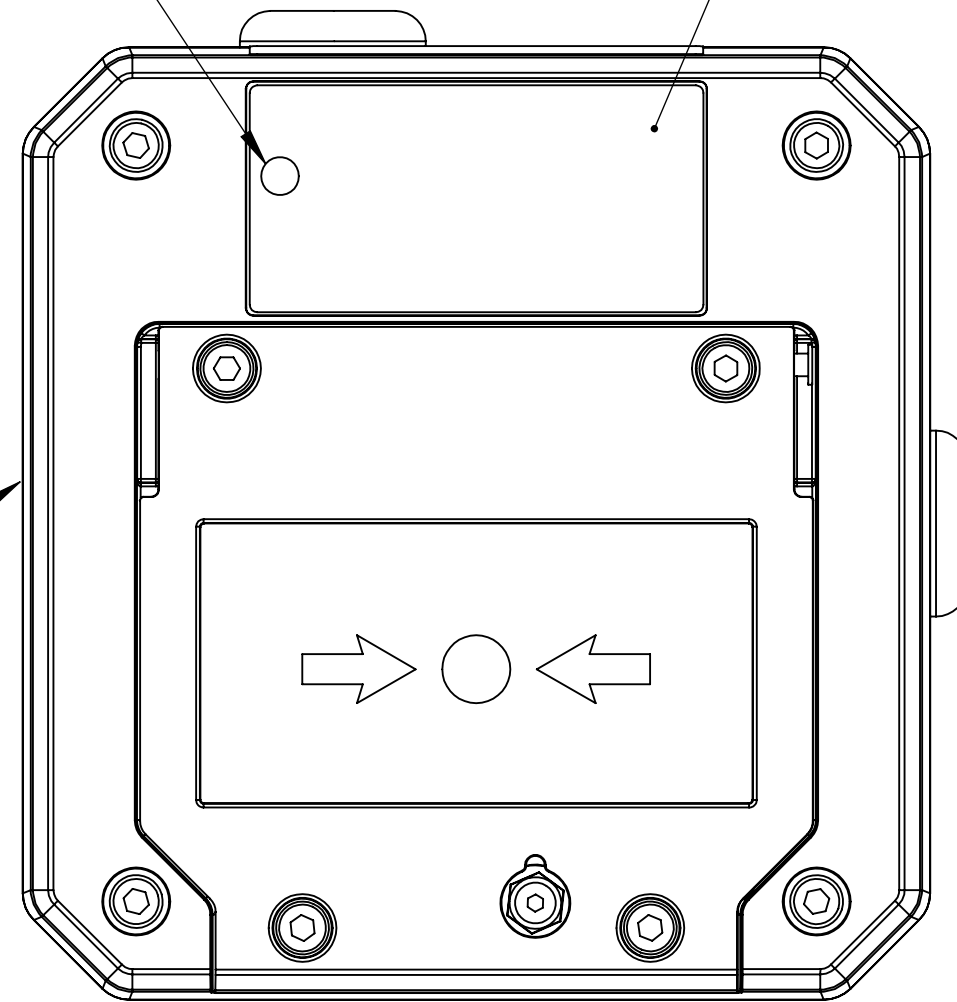
M20 x 1.5 IN 3 POSITIONS

NB: M20 X 1.5 Ex e APPROVED
CABLE GLANDS OR STOPPING PLUGS
TO BE USED ONLY

POSITION OF
OPTIONAL L.E.D

POSITION OF OPTIONAL
DUTY LABEL

POSITION OF
OPTIONAL
TAG PLATE



28.0mm [1.10in]

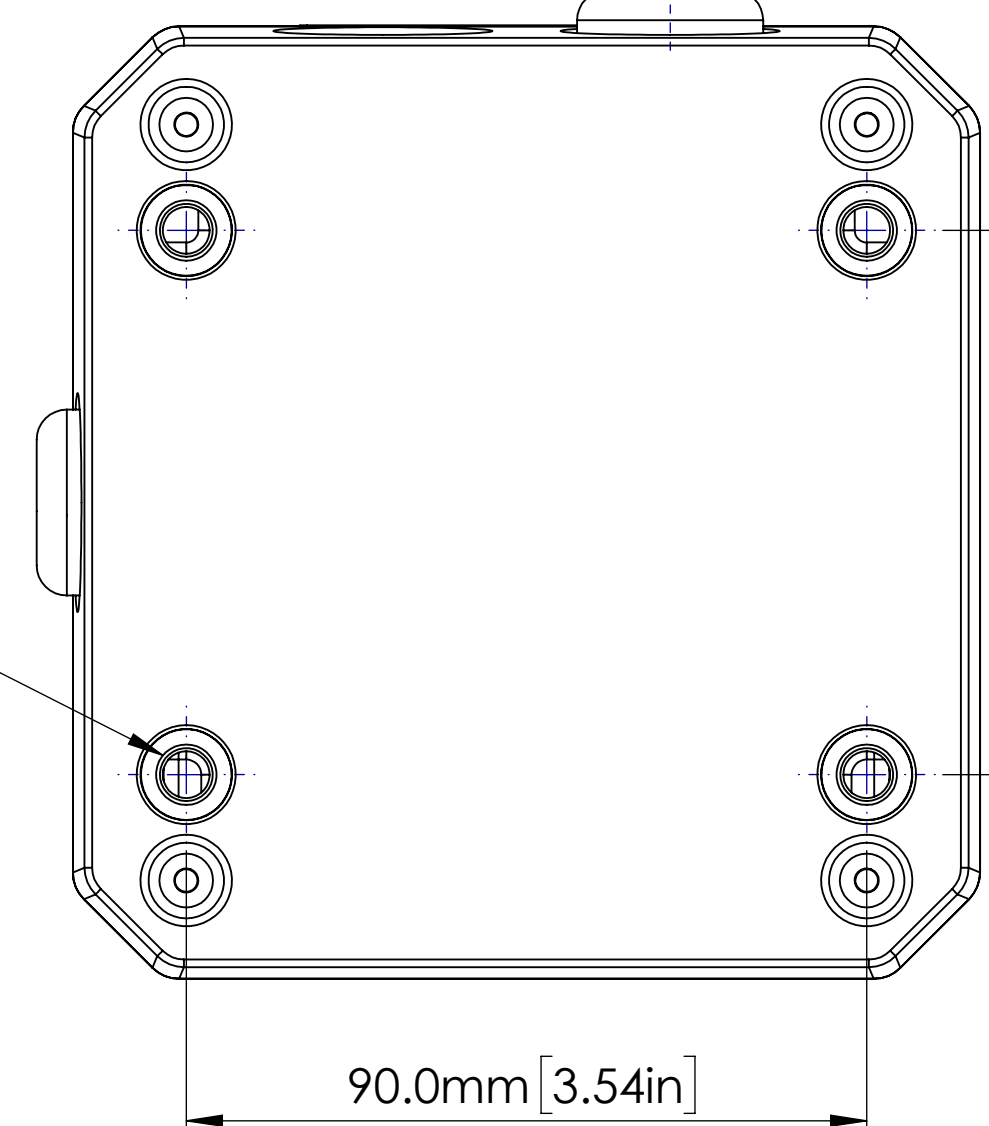
126.0mm [4.96in]

46.0mm [1.81in]

79.0mm [3.11in]

Ø6.2mm [0.24in]
MOUNTING HOLES
4 OFF

38.0mm [1.50in]



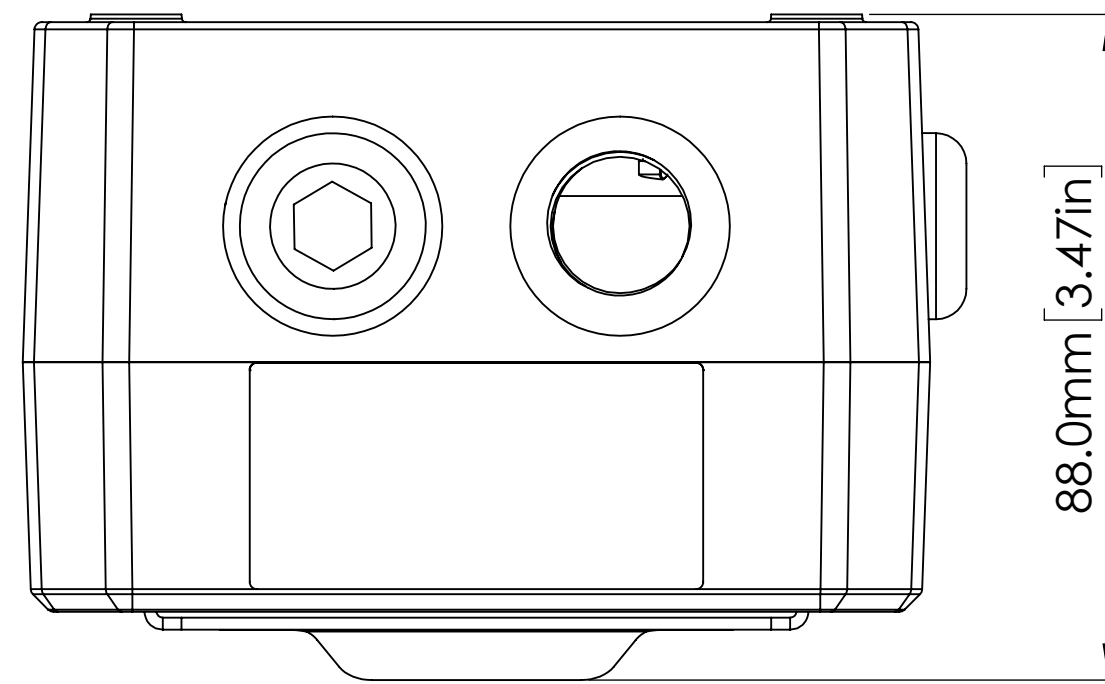
72.0mm [2.83in]

90.0mm [3.54in]

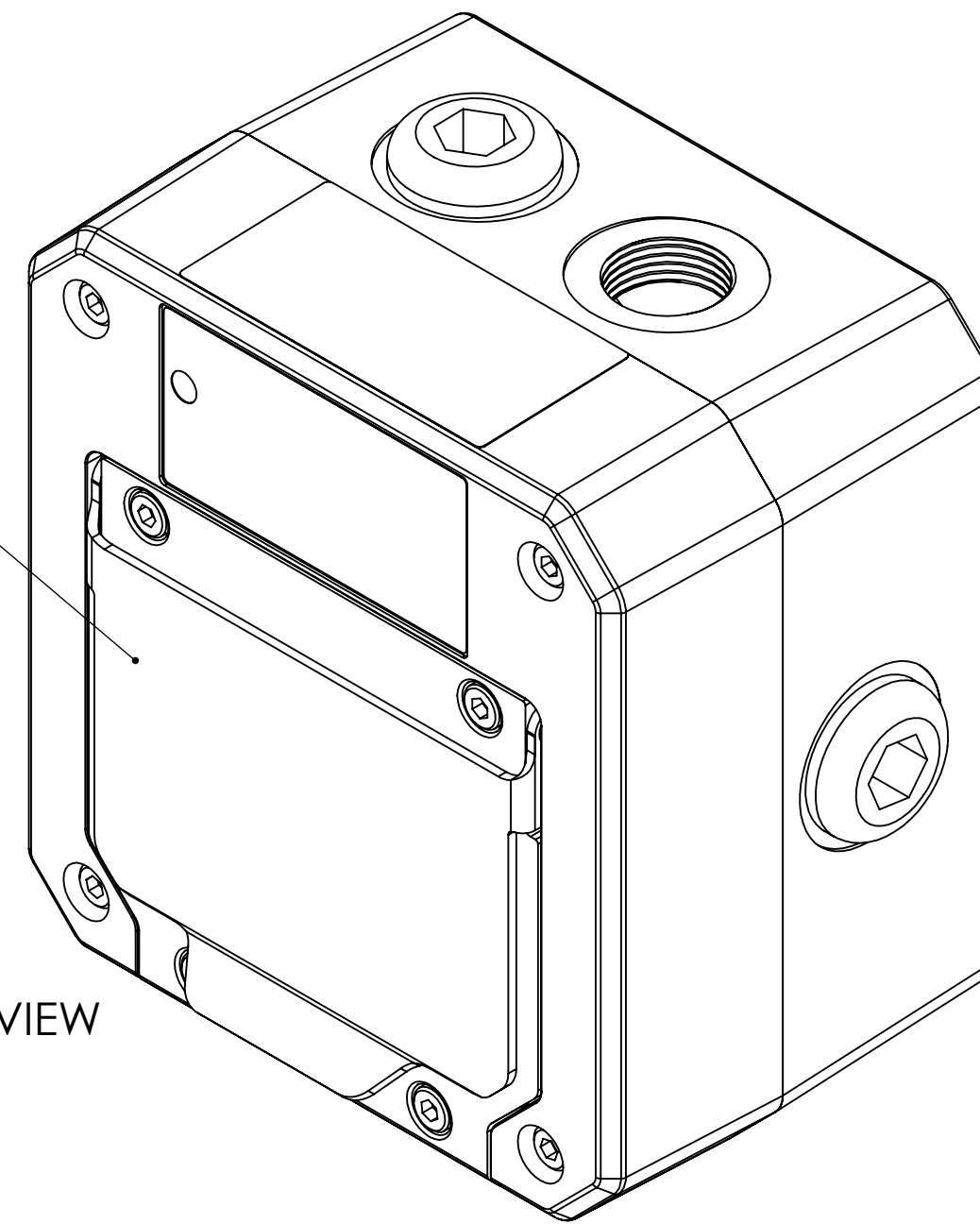
DRAWING TO BS8888:2000 GEOMETRIC TOLERANCES TO ISO1101:1983 LINEAR DIMENSIONAL TOLS ANGULAR DIMENSIONAL TOLS	DRAWN	DATE	SURFACE FINISH POWDER COAT	WEIGHT (kg)	THIS DRAWING AND ANY INFORMATION OR DESCRIPTIVE MATTER THEREIN IS COMMUNICATED IN CONFIDENCE AND IS THE COPYRIGHT PROPERTY OF EUROPEAN SAFETY SYSTEMS LTD. NEITHER THE WHOLE OR ANY EXTRACT MAY BE DISCLOSED, LOANED, COPIED OR USED FOR MANUFACTURING OR TENDERING PURPOSES WITHOUT THEIR WRITTEN CONSENT.	 EUROPEAN SAFETY SYSTEMS LTD IMPRESS HOUSE MANSELL ROAD ACTON LONDON W3 7QH WWW.E2S.COM	ALL DIMENSIONS IN MM IF IN DOUBT, ASK - DO NOT SCALE		 A2
	CHECKED	DATE					MATERIAL	TITLE	
STANDARDS GNExCP6-BG	R.N.POTTS	03-02-20	ALTERNATIVE MATERIAL		EUROPEAN SAFETY SYSTEMS LTD. AS PER LATEST DATE OF ISSUE SHOWN ABOVE				
	APPROVED	DATE							
	R.N.POTTS	03-02-20							
							1:1	1 OF 1	D154-05-001

E2S PART NO.	DESCRIPTION	DATA REFERENCE
GNECP6A-BG GNECP6B-BG GNECP6C-BG GNECP6D-BG	GNECP6-BG BREAK GLASS MANUAL CALL POINT	1.24.010

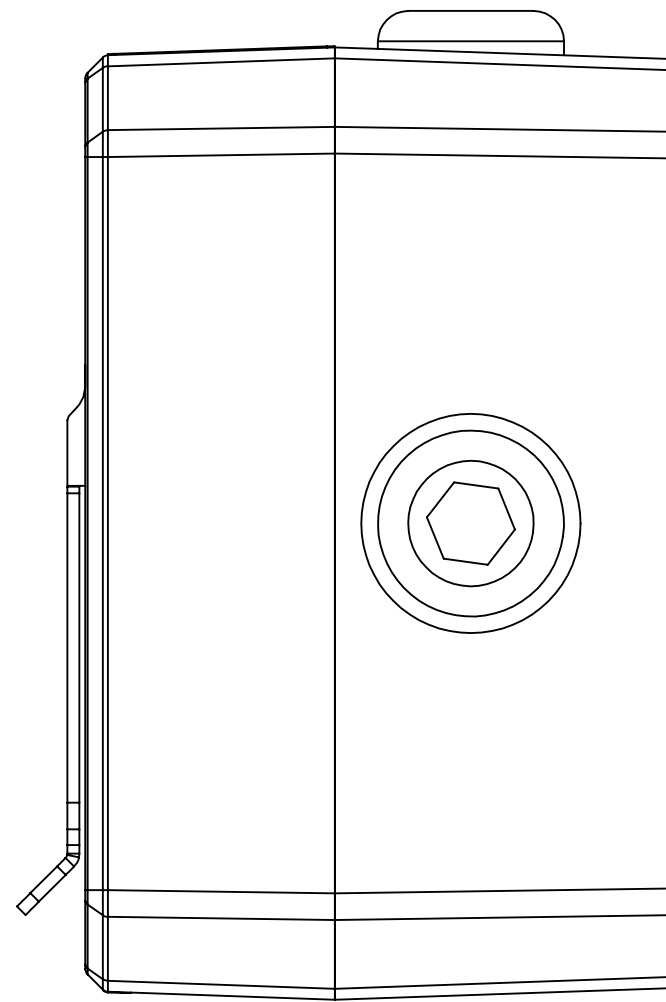
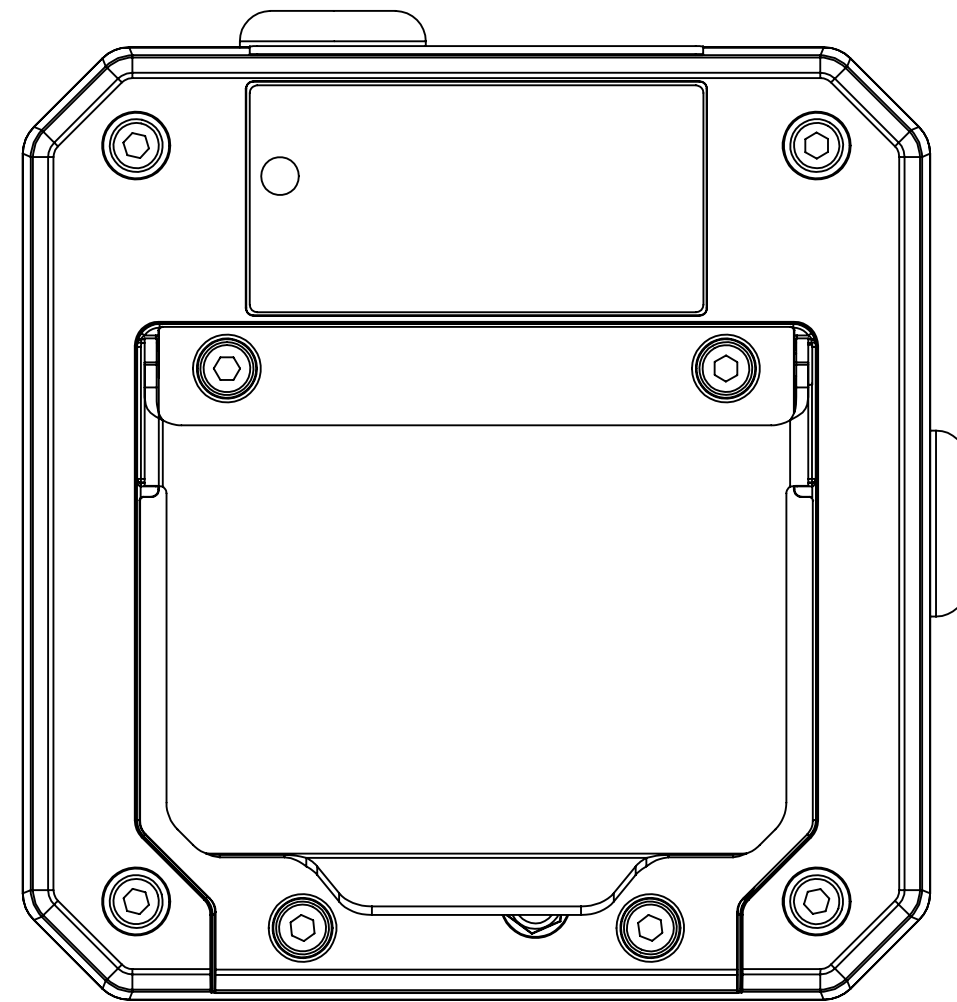
ISSUE	MOD No.	REASON - INITIAL - DATE
1		INTRODUCTION DAH - 03-02-2020
2		SHEET 2 LIFT FLAP OPTION ADDED RSR - 17-12-2020



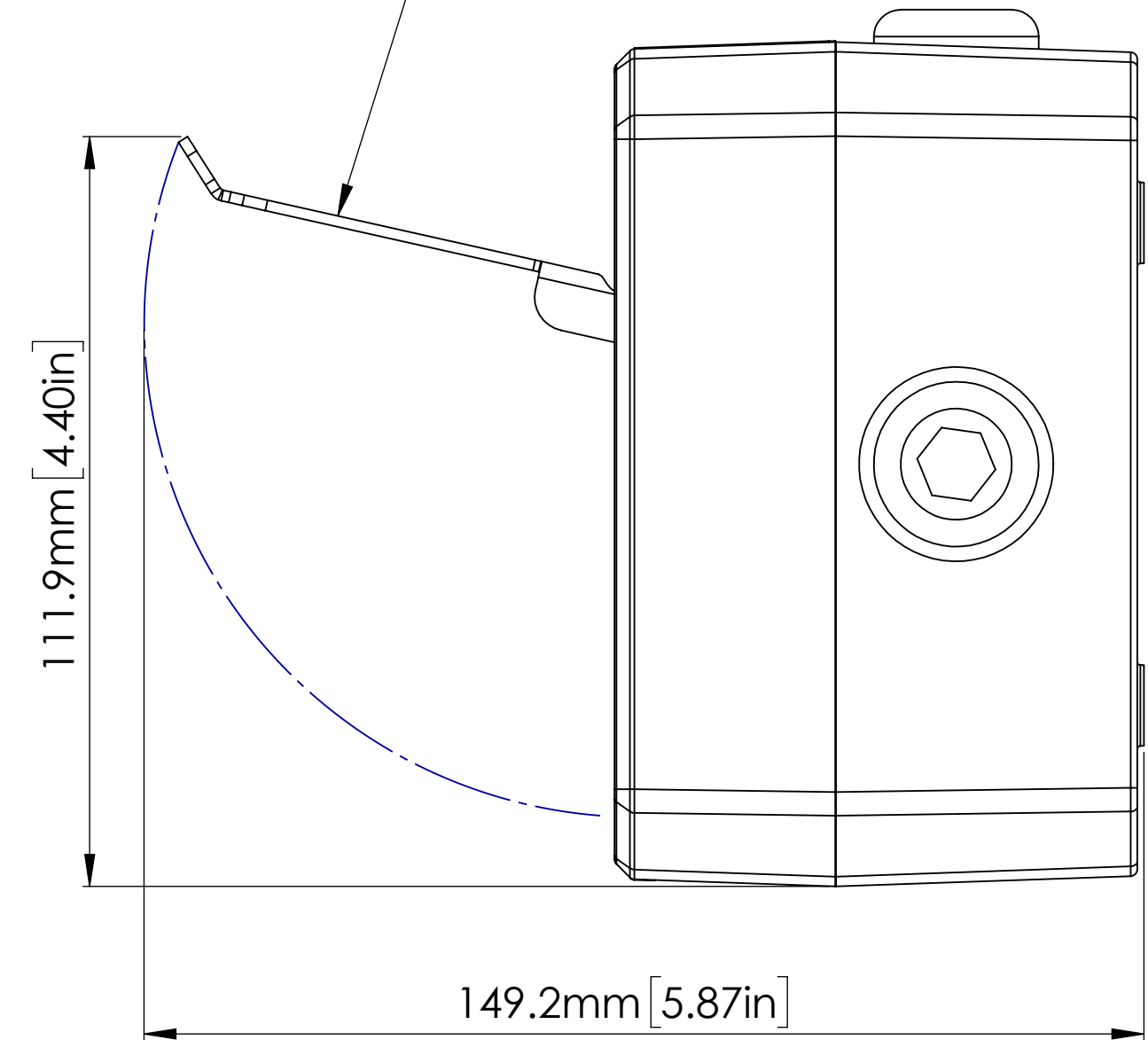
OPTIONAL
LIFT FLAP



ISOMETRIC VIEW



LIFT FLAP OPEN



DRAWING TO BS8888:2000 GEOMETRIC TOLERANCES TO ISO1101:1983 LINEAR DIMENSIONAL TOLS ANGULAR DIMENSIONAL TOLS	DRAWN D.HOWGILL	DATE 03-02-20	SURFACE FINISH POWDER COAT	WEIGHT (kg)	THIS DRAWING AND ANY INFORMATION OR DESCRIPTIVE MATTER THEREIN IS COMMUNICATED IN CONFIDENCE AND IS THE COPYRIGHT PROPERTY OF EUROPEAN SAFETY SYSTEMS LTD. NEITHER THE WHOLE OR ANY EXTRACT MAY BE DISCLOSED, LOANED, COPIED OR USED FOR MANUFACTURING OR TENDERING PURPOSES WITHOUT THEIR WRITTEN CONSENT.	 EUROPEAN SAFETY SYSTEMS LTD IMPRESS HOUSE MANSELL ROAD ACTON LONDON W3 7QH WWW.E2S.COM	ALL DIMENSIONS IN MM IF IN DOUBT, ASK - DO NOT SCALE			A2
	CHECKED R.N.POTTS	DATE 03-02-20	MATERIAL	TITLE GNECP6-BG MANUAL CALL POINT BREAK GLASS OUTLINE DRAWING						
	STANDARDS GNECP6-BG	APPROVED R.N.POTTS	DATE 03-02-20	ALTERNATIVE MATERIAL			 EUROPEAN SAFETY SYSTEMS LTD. AS PER LATEST DATE OF ISSUE SHOWN ABOVE		SCALE 1:1	SHEET 1 OF 1