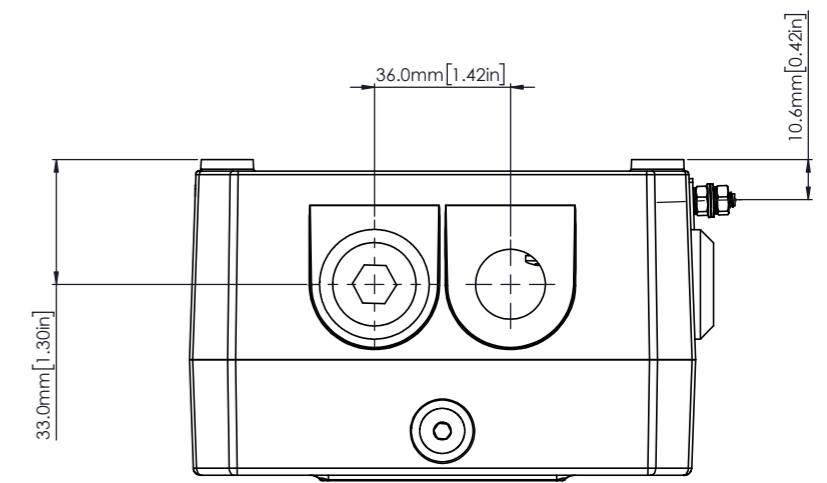
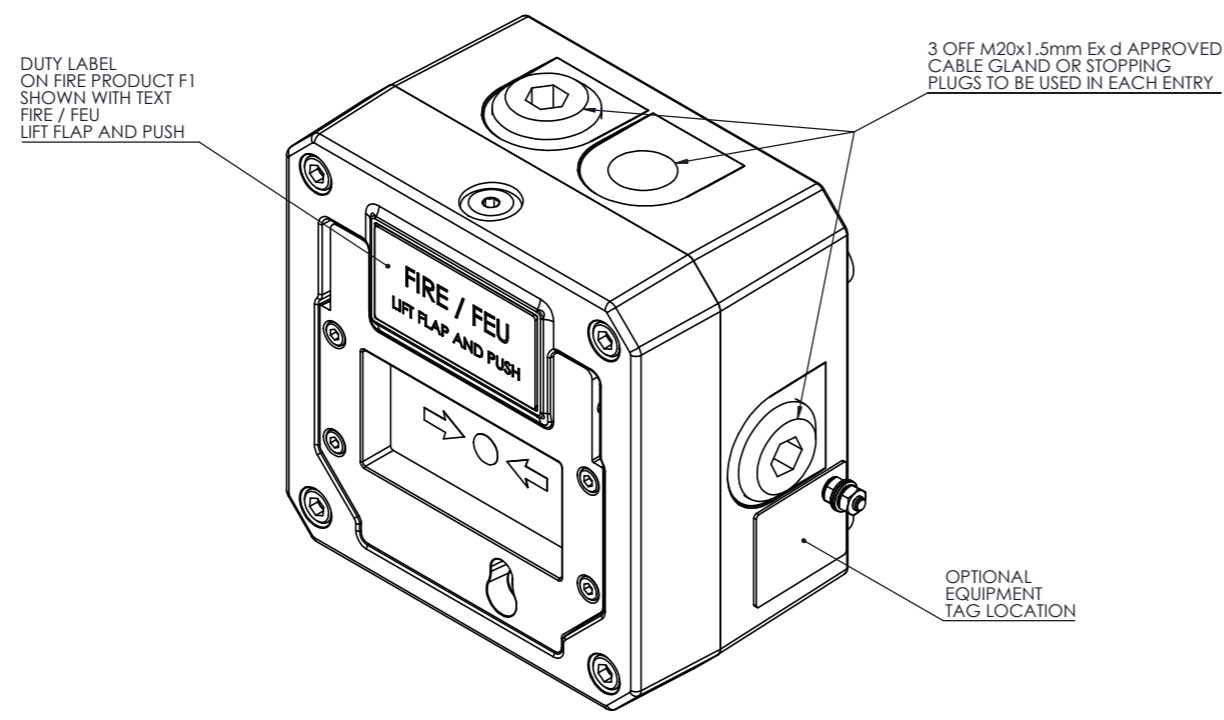
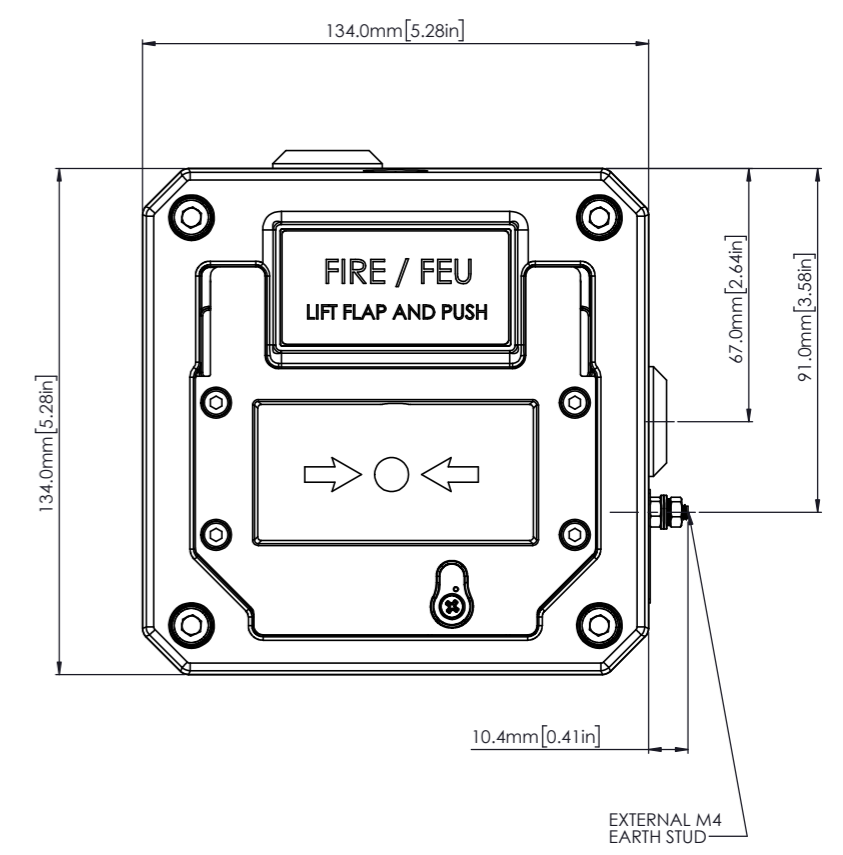
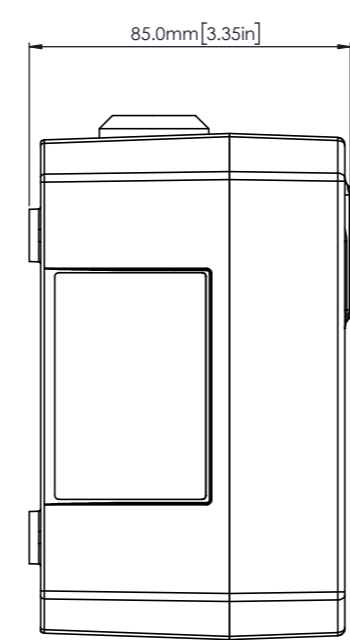
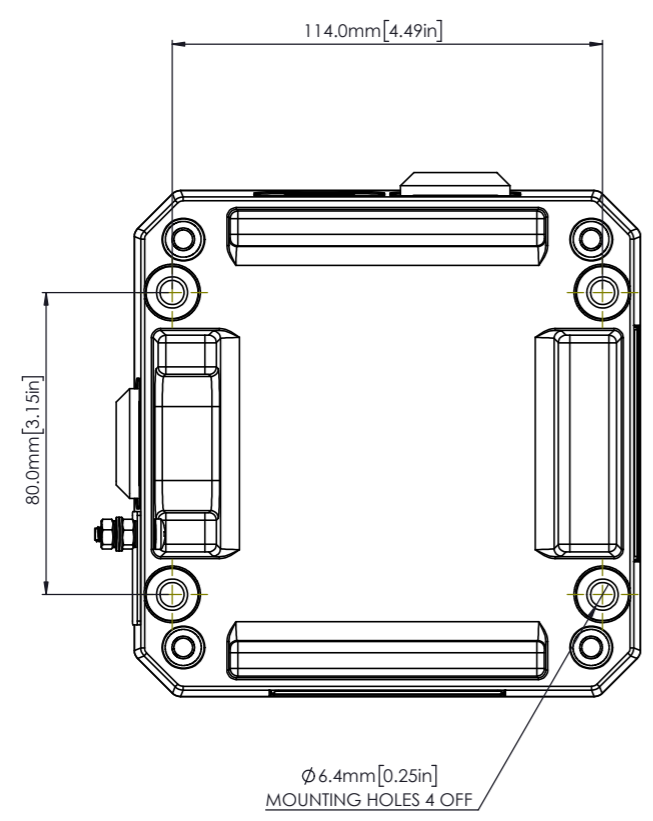


ISSUE	MOD No.	REASON - INITIAL - DATE
A		Introduction RNP 12-04-2022



UNIT SHOWN AS PRODUCT VERSION [v] = F1 (FIRE PRODUCT UL38) WITH FIRE DUTY LABEL AND EQUIPMENT TAG WITH NO LIFT FLAP



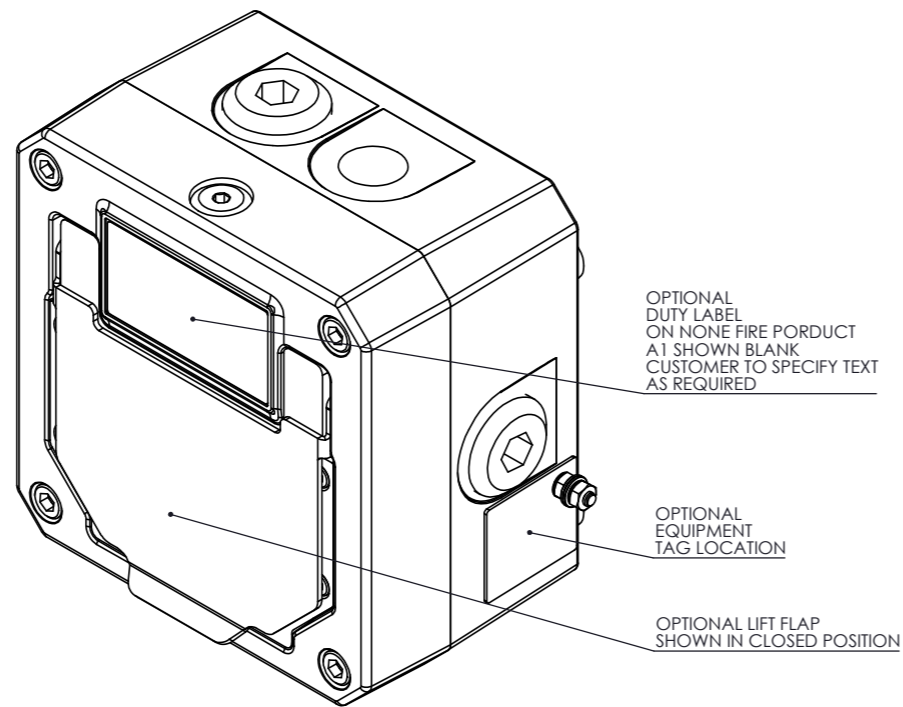
Ø 6.4mm [0.25in] MOUNTING HOLES 4 OFF

E2S PART No.	DESCRIPTION
GNExCP7-BG	GRP BREAKGLASS CALL POINT

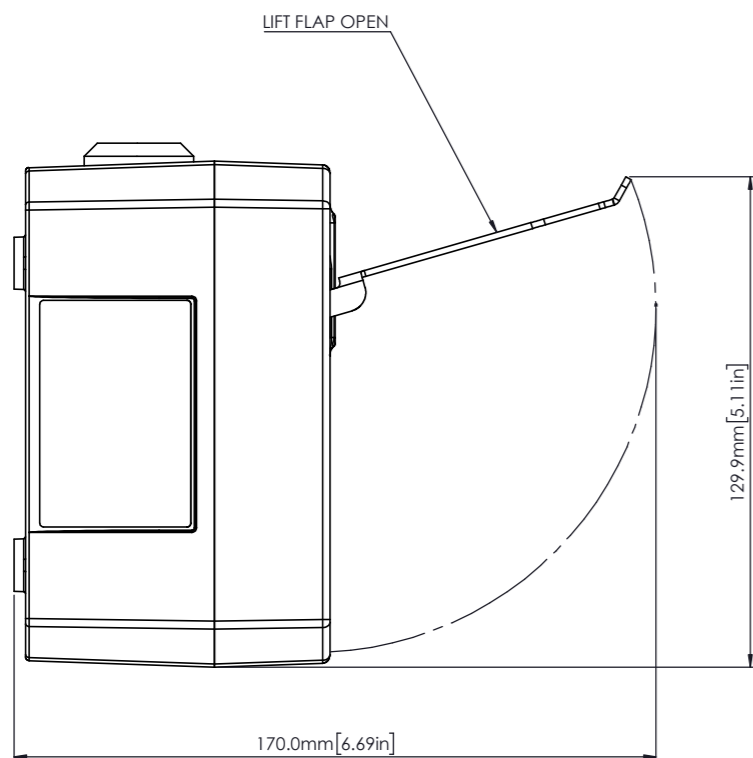
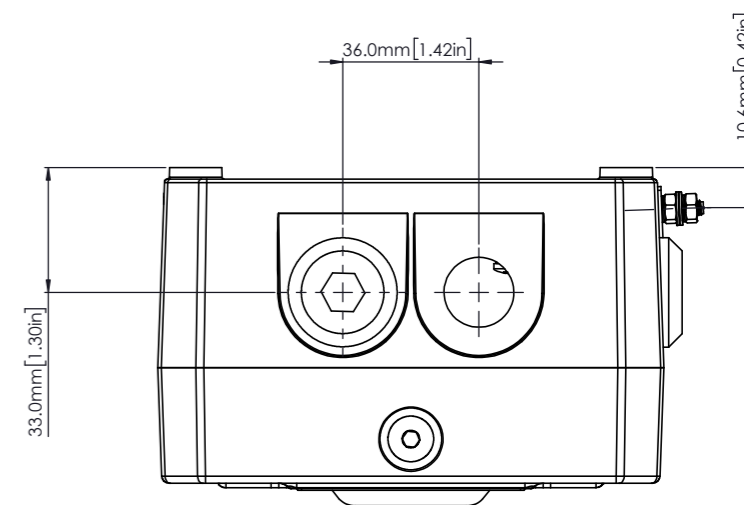
DATA REFERENCE
1-24-150

DRAWING TO BS8888:2000 GEOMETRIC TOLERANCES TO ISO1101:1983 LINEAR DIMENSIONAL TOOLS ANGULAR DIMENSIONAL TOOLS	DRAWN R.N.POTTS	DATE 12-04-2022	SURFACE FINISH	WEIGHT (kg)	THIS DRAWING AND ANY INFORMATION OR DESCRIPTIVE MATTER THEREIN IS COMMUNICATED IN CONFIDENCE AND IS THE COPYRIGHT PROPERTY OF EUROPEAN SAFETY SYSTEMS LTD. NEITHER THE WHOLE OR ANY EXTRACT MAY BE DISCLOSED, LOANED, COPIED OR USED FOR MANUFACTURING OR TENDERING PURPOSES WITHOUT THEIR WRITTEN CONSENT.  EUROPEAN SAFETY SYSTEMS LTD. AS PER LATEST DATE OF ISSUE SHOWN ABOVE	 EUROPEAN SAFETY SYSTEMS LTD IMPRESS HOUSE MANSELL ROAD ACTON LONDON W3 7QH WWW.E2S.COM	ALL DIMENSIONS IN MM IF IN DOUBT, ASK - DO NOT SCALE	 A1
	CHECKED B.ISARD	DATE 12-04-2022	MATERIAL					
	APPROVED R.N.POTTS	DATE 12-04-2022	ALTERNATIVE MATERIAL					
STANDARDS PRODUCT REF					TITLE GNExCP7-BG BREAKGLASS CALL POINT OUTLINE DRAWING	SCALE 1:1	SHEET 1 OF 2	DRAWING NUMBER D202-05-001

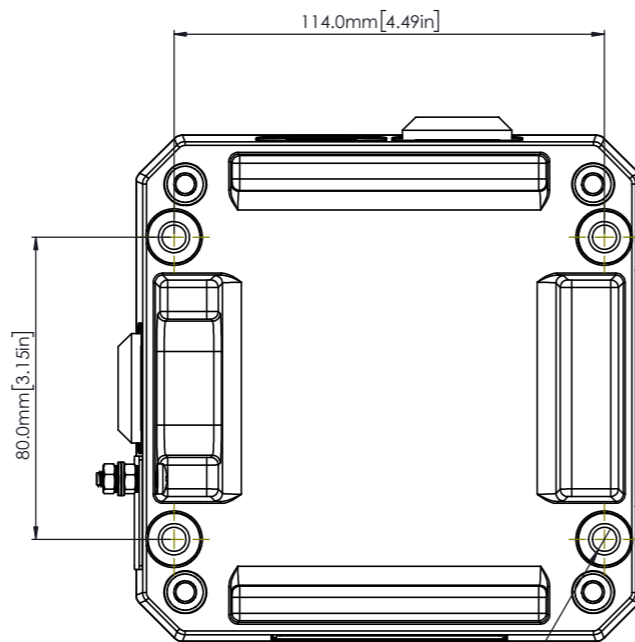
ISSUE	MOD No.	REASON - INITIAL - DATE
A		Introduction RNP 12-04-2022



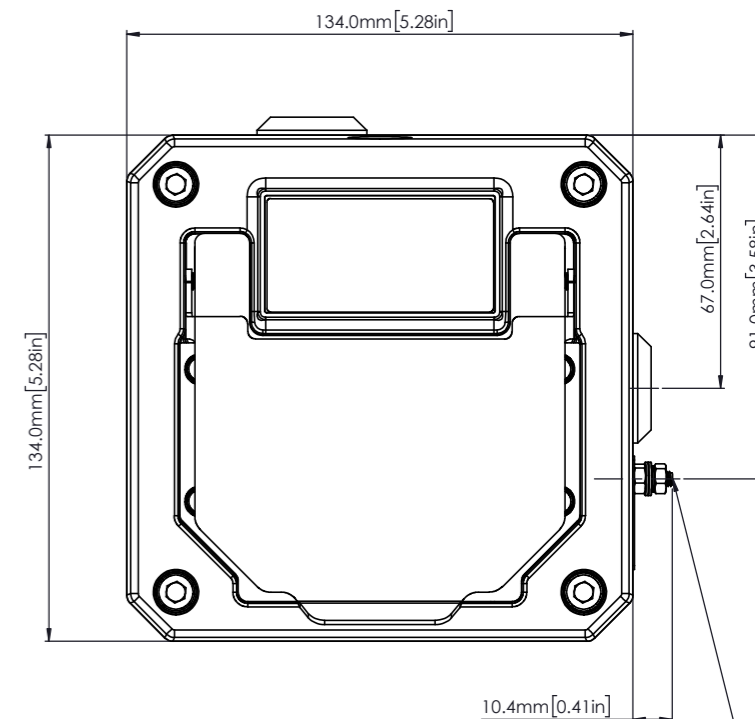
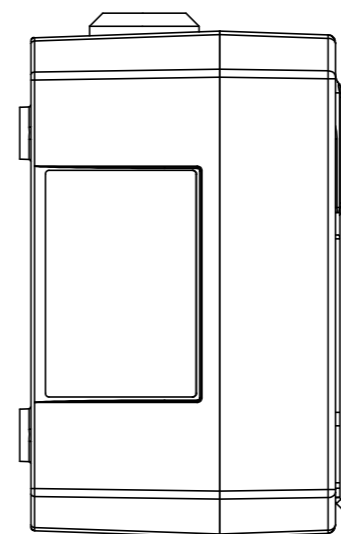
UNIT SHOWN AS PRODUCT VERSION [v] = A1 WITH STANDARD DUTY LABEL AND EQUIPMENT TAG WITH LIFT FLAP



SIDE VIEW SHOWN WITH FLIP LID OPEN



Ø 6.4mm [0.25in] MOUNTING HOLES 4 OFF



EXTERNAL M4 EARTH STUD

E2S PART No.	DESCRIPTION
GNExCP7-BG	GRP BREAKGLASS CALL POINT

DATA REFERENCE
1-24-150

DRAWING TO BS8888:2000 GEOMETRIC TOLERANCES TO ISO1101:1983 LINEAR DIMENSIONAL TOLS ANGULAR DIMENSIONAL TOLS	DRAWN R.N.POTTS	DATE 12:04:2022	SURFACE FINISH	WEIGHT (kg)	THIS DRAWING AND ANY INFORMATION OR DESCRIPTIVE MATTER THEREIN IS COMMUNICATED IN CONFIDENCE AND IS THE COPYRIGHT PROPERTY OF EUROPEAN SAFETY SYSTEMS LTD. NEITHER THE WHOLE OR ANY EXTRACT MAY BE DISCLOSED, LOANED, COPIED OR USED FOR MANUFACTURING OR TENDERING PURPOSES WITHOUT THEIR WRITTEN CONSENT.  EUROPEAN SAFETY SYSTEMS LTD. AS PER LATEST DATE OF ISSUE SHOWN ABOVE	 EUROPEAN SAFETY SYSTEMS LTD IMPRESS HOUSE MANSELL ROAD ACTON LONDON W3 7QH WWW.E2S.COM	ALL DIMENSIONS IN MM IF IN DOUBT, ASK - DO NOT SCALE	 A1	
	CHECKED B.ISARD	DATE 12:04:2022	MATERIAL						
STANDARDS PRODUCT REF	APPROVED R.N.POTTS	DATE 12:04:2022	ALTERNATIVE MATERIAL				TITLE GNExCP7-BG BREAKGLASS CALL POINT OUTLINE DRAWING		
							SCALE 1:1	SHEET 2 OF 2	DRAWING NUMBER D202-05-001