

HMA121 Electronic Siren, Buzzer, Claxon & Bell

Applications and users that have traditionally demanded conventional electromechanical claxons, sirens, buzzers and bells can now choose the next generation alternative.

The technology employed in the Hootronic range features the latest in amplifier and digital to analogue conversion technology. The E2S Hootronic series of products faithfully reproduce the sounds made by legacy electro-mechanical signalling devices but in a modern, reliable and cost effective way.

With output levels of up to 124dB(A) at 1 metre the HMA121 surpasses legacy electro-mechanical devices in performance and effectiveness, it is also continuously rated, requires zero maintenance and the signal quality will not degrade with age.

Features

The products in the Hootronic range have 5 user selectable 'traditional' sounds including:

- Tone 1 : Industrial Claxon
- Tone 2 : High Frequency Mechanical Siren
- Tone 3 : Medium Frequency Mechanical Siren
- Tone 4 : Electro Mechanical Buzzer
- Tone 5 : Mechanical Bell

Each of these sounds have two additional, remotely selectable, alarm stages.

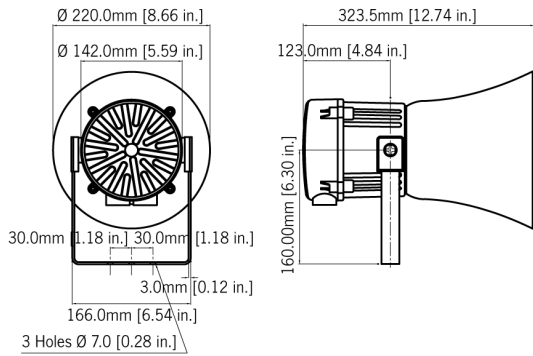
Remote switch generates genuine 'tail off' to sound when alarm is terminated.

- Automatic synchronisation on multi-sounder system.
- Continuously rated.
- Large termination area.
- Stainless steel fixings.
- Ratchet adjustable stainless steel 'U' bracket for 360° positioning.
- Duplicate cable terminations (in & out for daisy-chain installations).
- Tropicalisation available on request.

Approvals

- GOST-R certificate: POCC GB.JB05.H00144





Specification

Nominal output:	124dB(A) @ 1m +/- 3dB [115dB(A) @ 10ft/3m]
No. of tones:	5
No. of stages:	3
Volume control:	Max. 124dB(A); Min. 115dB(A) approx.
Effective range:	300m/984ft @ 1KHz
Voltages DC:	24V dc (10-30V dc);
Voltages AC:	115V ac; 230V ac
Ingress protection:	IP66 & IP67 (Third party tested)
Housing material:	High impact UL94 V0 & 5VA FR ABS
Colour:	Grey (RAL7038)
Cable entries:	2 x M20 supplied with 1 blanking plug
Terminals:	0.5 to 4.0mm ² cables.
Operating temp:	-25 to +55°C [-13° to +131°F]
Storage temp:	-40 to +70°C [-40° to +158°F]
Relative humidity:	90% at 20°C [68°F]
Weight:	DC: 2.50kg/5.5lbs AC:3.00kg/6.6lbs

Part Codes

Version	Part code:
24V dc	HMA121DC24G
115V ac	HMA121AC115G
230V ac	HMA121AC230G

Alarm Sounder

Version:		Voltage:	Current :
24V dc		10-30V dc	375mA*
115V ac	50/60Hz	+/-10%	160mA
230V ac	50/60Hz	+/-10%	75mA

* current at nominal voltage

Tone table

S 1	Description	S 2	S 3
------------	--------------------	------------	------------

T 1	Industrial Claxon	T 3	T 5
-----	-------------------	-----	-----

T 2	High Frequency Mechanical Siren	T 1	T 5
-----	---------------------------------	-----	-----

T 3	Medium Frequency Mechanical Siren	T 1	T 5
-----	-----------------------------------	-----	-----

T 4	Electro Mechanical Buzzer	T 2	T 5
-----	---------------------------	-----	-----

T 5	Mechanical Bell	T 1	T 2
-----	-----------------	-----	-----