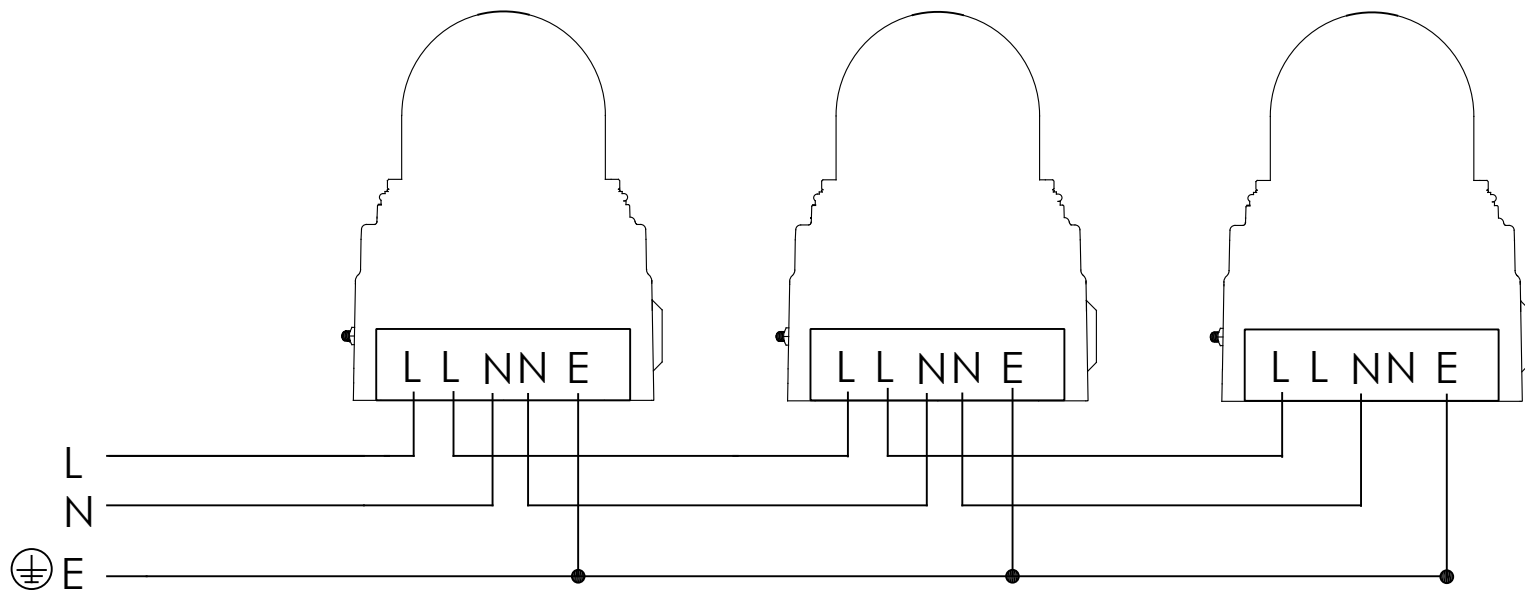
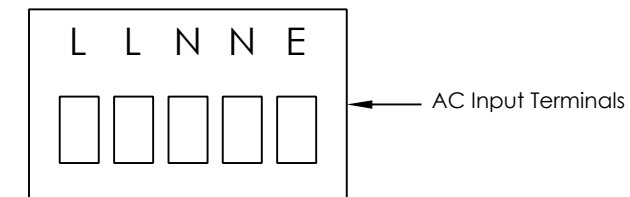


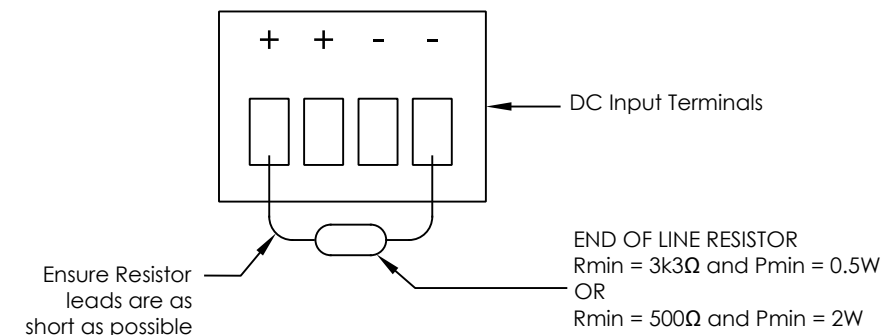
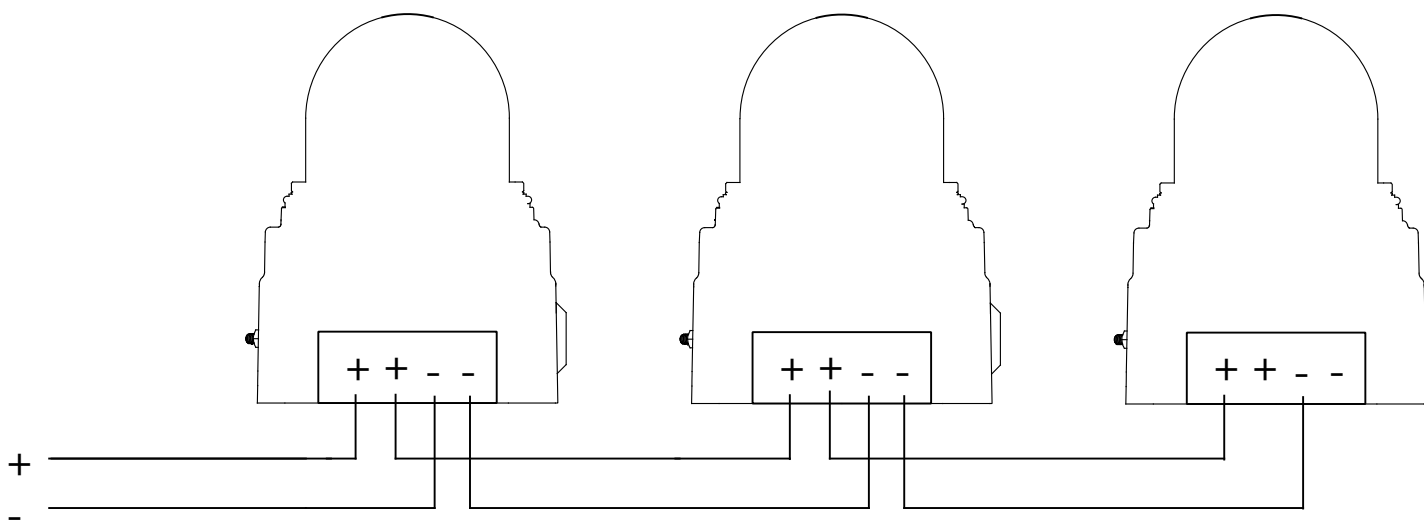
STExB2X10 / STExB2X15 AC BLOCK DIAGRAM



ISSUE	MOD No.	REASON - INITIAL - DATE
A		INTRODUCTION RSR - 03/07/19
B		INPUT TERMINALS & EOL RESISTOR ADDED DAH - 17/12/19



STExB2X10 / STExB2X15 DC BLOCK DIAGRAM



DRAWING TO BS8888:2000
 GEOMETRIC TOLERANCES TO ISO1101:1983
 LINEAR DIMENSIONAL TOLS
 ANGULAR DIMENSIONAL TOLS

STANDARDS
STExB2

DRAWN	R.S. RAIT	DATE	03-07-2019
CHECKED	R.N.POTTS	DATE	03-07-2019
APPROVED	R.N.POTTS	DATE	03-07-2019

SURFACE FINISH	WEIGHT (Kg)
MATERIAL	
ALTERNATIVE MATERIAL	

THIS DRAWING AND ANY INFORMATION OR DESCRIPTIVE MATTER THEREIN IS COMMUNICATED IN CONFIDENCE AND IS THE COPYRIGHT PROPERTY OF EUROPEAN SAFETY SYSTEMS LTD. NEITHER THE WHOLE OR ANY EXTRACT MAY BE DISCLOSED, LOANED, COPIED OR USED FOR MANUFACTURING OR TENDERING PURPOSES WITHOUT THEIR WRITTEN CONSENT.

© EUROPEAN SAFETY SYSTEMS LTD.
 AS PER LATEST DATE OF ISSUE SHOWN ABOVE

e2S
 warning signals

EUROPEAN SAFETY SYSTEMS LTD
 IMPRESS HOUSE
 MANSELL ROAD
 ACTON
 LONDON W3 7QH
 WWW.E2S.COM

ALL DIMENSIONS IN MM IF IN DOUBT, ASK - DO NOT SCALE				A3
TITLE STExB2X10 / STExB2X15 WIRING DIAGRAMS				
SCALE NTS	SHEET 1 OF 1	DRAWING NUMBER D199-06-201		