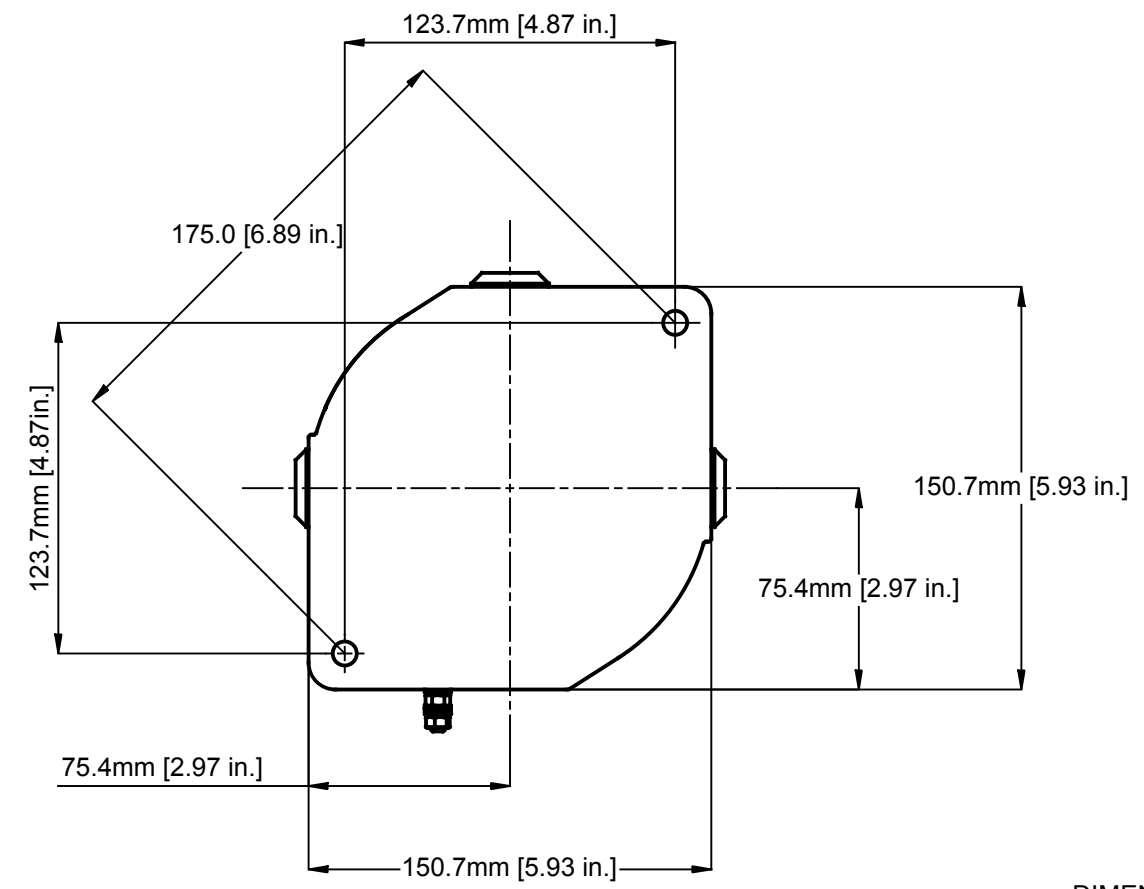
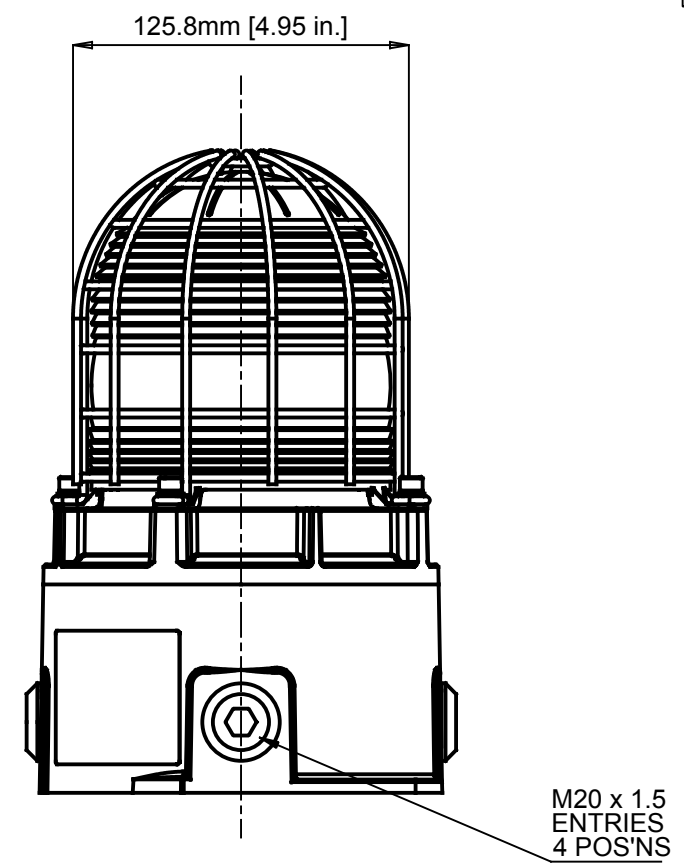
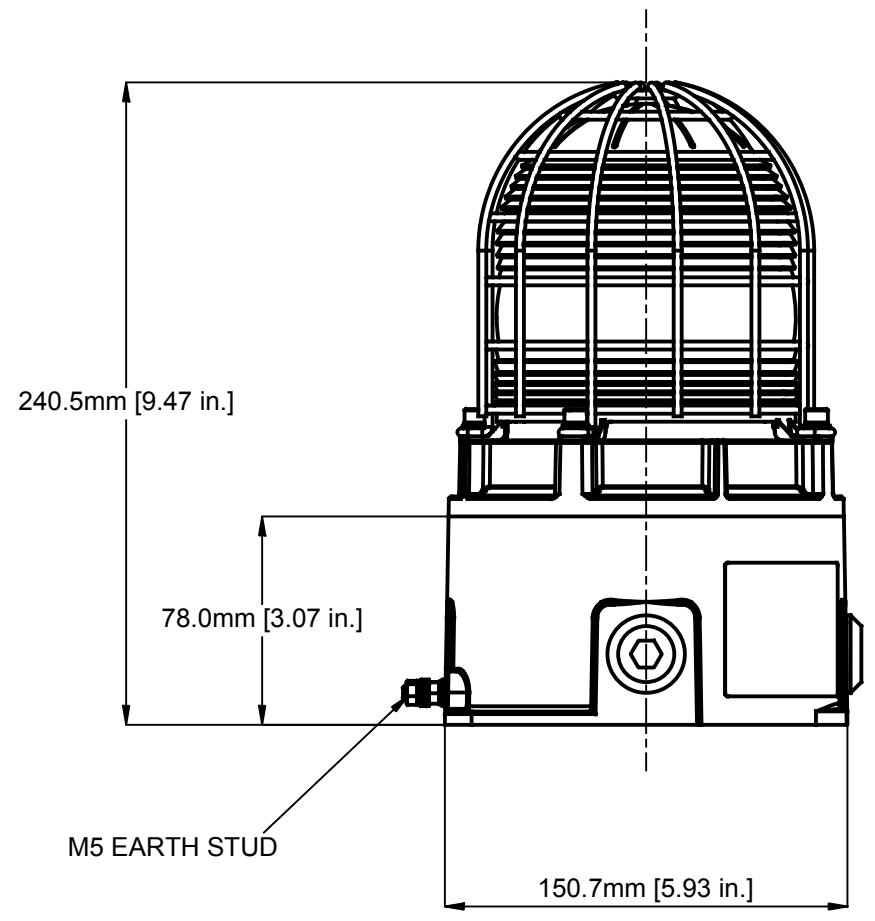


| | | |
|-------|---------|-------------------------------------|
| ISSUE | MOD No. | REASON - INITIAL - DATE |
| A | | INTRODUCTION OF PART MV 18-06-15 |



| E2S PART NO. | DESCRIPTION | DATA REFERENCE |
|--------------|--|----------------|
| STExB2X10... | STExB2 10J XENON STROBE BEACON (Ex d VERSION) | 1-21-170 |
| STExB2X15... | STExB2 15J XENON STROBE BEACON (Ex d VERSION) | 1-21-172 |
| STExB2X21... | STExB2 21J XENON STROBE BEACON (Ex d VERSION) | 1-21-174 |
| STExB2RT1... | STExB2 RT1 ROTATING BEACON (Ex d VERSION) | 1-21-180 |
| STExB2LD2... | STExB2LD2 LED BEACON (Ex d VERSION) | 1-21-160 |

DIMENSIONS IN MM & [INCHES]

| | | | | | | | | | |
|---|-----------|----------|----------------|----------------------|---|--|--|---|----|
| DRAWING TO BS8888:2000 GEOMETRIC TOLERANCES TO ISO1101:1983 LINEAR DIMENSIONAL TOLS ANGULAR DIMENSIONAL TOLS | DRAWN | DATE | SURFACE FINISH | WEIGHT (Kg) | THIS DRAWING AND ANY INFORMATION OR DESCRIPTIVE MATTER THEREIN IS COMMUNICATED IN CONFIDENCE AND IS THE COPYRIGHT PROPERTY OF EUROPEAN SAFETY SYSTEMS LTD. NEITHER THE WHOLE OR ANY EXTRACT MAY BE DISCLOSED, LOANED, COPIED OR USED FOR MANUFACTURING OR TENDERING PURPOSES WITHOUT THEIR WRITTEN CONSENT. | EUROPEAN SAFETY SYSTEMS LTD. IMPRESS HOUSE MANSELL ROAD ACTON LONDON W3 7QH WWW.E2S.COM | ALL DIMENSIONS IN MM IF IN DOUBT, ASK - DO NOT SCALE | | A2 |
| | CHECKED | DATE | | | | | MATERIAL | | |
| | STANDARDS | APPROVED | DATE | ALTERNATIVE MATERIAL | | | AS PER LATEST DATE OF ISSUE SHOWN ABOVE | EUROPEAN SAFETY SYSTEMS LTD. AS PER LATEST DATE OF ISSUE SHOWN ABOVE | |
| STEx | M.VYAS | 15-06-15 | | | | | STExB2 Ex d RANGE - BEACON OUTLINE | | |