

STExJ2 Ex d Junction Box

The STExJ2 is an IECEx & ATEX approved explosion proof junction box. The robust IP66 corrosion proof 316L stainless steel enclosure and extended temperature range ensures the STExJ2 is suitable for all Zone 1, 2, 21 & 22 hazardous location applications.

The 316L enclosure is chromated with a powder coated surface finish and features a threaded flame path, four cable entries and a large termination area – all of which significantly reduce installation time. Power rating: 5W. DNV type approved for exposed locations.

Features

- Robust, corrosion proof 316L stainless steel enclosure
- Ingress protection IP66
- Threaded flame path simplifies installation and inspection
- 316 Stainless steel stopping plugs included
- 4 x M20 cable entries
- DNV type approved IEC 60945 & DNVGL-CG-0339

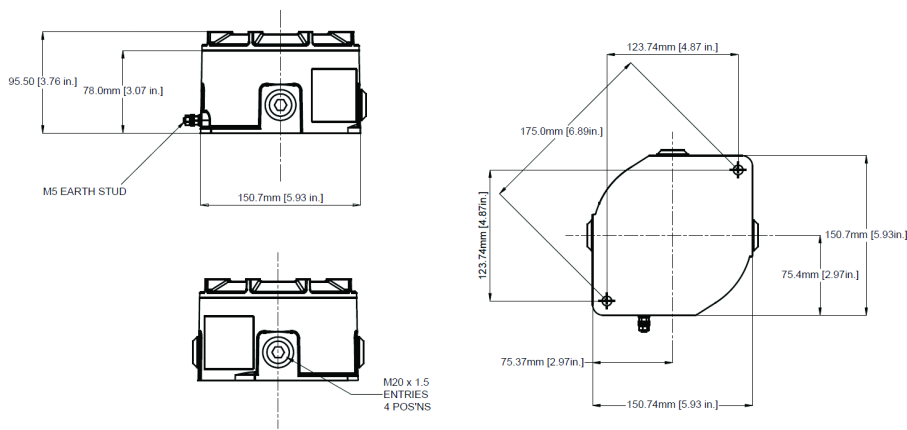
Approvals

- IECEx ULD 16.0017X
IEC 60079-0 : 2011
IEC 60079-1 : 2014
IEC 60079-31 : 2013
- ATEX DEMKO 16 ATEX 1466X
EN 60079-0 : 2012 + A11 : 2013
EN 60079-1 : 2014
EN 60079-31 : 2014
- TR-CU Ex EAC certificate: RU C-GB.AA71.B.00109

Coding

- II 2G Ex db IIC T6 Gb Ta. -50° to +65°C
- II 2G Ex db IIC T5 Gb Ta. -50° to +70°C
- II 2D Ex tb IIIC T85°C Db Ta. -50° to +70°C





Specification

Terminals:	DIN Rail 12 × AKZ 2.5 Earth 4 × AKE 2.5 12 way Terminal Block
Voltages DC:	60Vdc max.
Voltages AC:	260Vac 50/60Hz max.
Power:	5W max.
Ingress protection:	EN60529: IP66
Enclosure material:	316L Stainless Steel
Colour:	Red – can be provided in alternative colours
Finish:	Chromate & powder coat finish
Cable entries:	4 x M20 ISO (3 x stopping plugs included as standard) Adaptors to M25, 1/2" & 3/4" NPT can be specified
Enclosure volume:	<2 litres
Grounding stud:	M5
Temperature range:	-50° to +70°C (-58°F to +158°F)
Relative humidity:	95%
Weight:	5.0kg/11.02lbs

Part Codes

Version:	Part code:	
Product type:	STExJ2	
Terminal configuration:	D01	DIN Rail 12 × AKZ 2.5 + 4 × AKE 2.5
	T01	12 way Terminal Block
Cable Entry Type: [e]	A	4 x M20x1.5mm
	B	2 × 1/2" NPT – adaptors
	C	2 × 3/4" NPT – adaptors
	D	2 x M25x1.5mm – adaptors
	E	1 × 1/2" NPT – adaptor
	F	1 × 3/4" NPT – adaptor
	G	1 x M25x1.5mm – adaptor
	H	3 × 1/2" NPT – adaptors
	I	3 × 3/4" NPT – adaptors
	J	3 x M25x1.5mm – adaptors
	K	4 × 1/2" NPT – adaptors
	L	4 × 3/4" NPT – adaptors
	M	4 x M25x1.5mm – adaptors
Note:		4 x M20 supplied with 3 x M20 stopping plugs. 2 x adaptors supplied with 2 x M20 stopping plugs. 3 x adaptors supplied with 1 x M20 stopping plug.
Adaptor/Stopping plug material: [m]	B	Brass
	N	Nickel Plated
	S	Stainless Steel (standard)
Equipment Tag: [s]	1	No equipment tag
	2	St.St. Equipment tag
Product version: [v]A1		IECEx & ATEX Group II 2G/D Zone 1, 2, 21 & 22 & DNV Type Approved
Enclosure colour: [x]	R	Red RAL3000
	S	Special – contact E2S for alternative enclosure colours
Example:		STExJ2D01[e][m][s][v][x] STExJ2D01AS1A1R